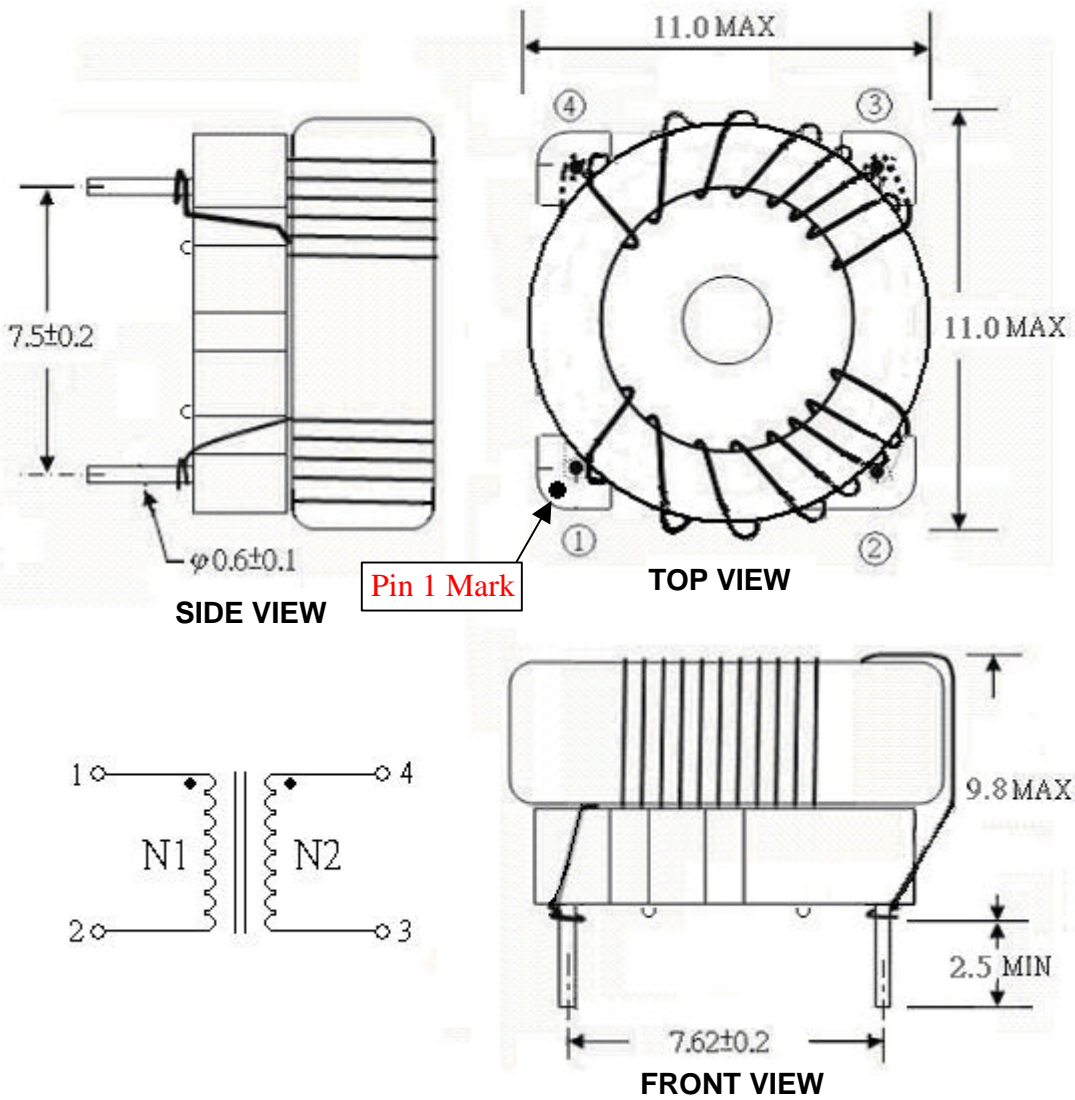


TCK-053



All dimensions in mm

SPECIFICATIONS		Common Mode Choke TCK-053	
Inductance	Pin 1-2: $830\mu\text{H} \pm 35\%$	Pin 3-4: $830\mu\text{H} \pm 35\%$	
	Test Condition: 100KHz/100mv Measurement Instrument: HP 4263B LCR Meter		
Impedance	DCR (Max): $31\text{m}\Omega$		
	Measurement Instrument: HIOKI 3540 mΩ HITESTER		
Rated Current	IDC (Max): 3.3A		
	Measurement Instrument: Agilent 34401A Meter		
Recommended Through Hole	? 0.8 mm		