



LED Filament 6.2W E27,B22



Product Overview

LED retrofit lamps are direct replacements for conventional incandescent, halogen, and compact fluorescent (CFL) lamps.

LEDs deliver higher lumens per watt (lm/W) which means significant energy savings while lasting more than ten times longer than incandescent sources. With their directional light, instant on and ability to dim, LEDs are fast becoming the light source of choice.

Features

- Light even distribution.
- More eco-valued.
- Wider beam angle.

Safety and Maintenance

- Switch off supply before installing or removing lamp.
- Allow to cool before handling.
- Do not use in totally enclosed fittings as this will reduce lamp life.
- Do not dispose of in household waste.
- Dispose of in appropriate section of local civic amenity site or recycling centre.

Specifications – E27,B22 Cap

SKU	S9025	S9026
Lamp Cap	B22	E27
Nominal Power (W)	6.2	6.2
Voltage	220-240Vac 50-60Hz	220-240Vac 50-60Hz
Current (mA)	51	51
Nominal Luminous Flux (lm)	806	806
CCT (K)	2700K Warmlight	2700K Warmlight
Nominal Lifetime (h)	15000	15000
Dimmable	No	No
Switching Cycles	15000	15000
Warm-up time to 60% (S)	0.10	0.10
Length (mm)	105	105
Diameter (mm)	60	60
Mercury (mg)		
Clean-up instructions	See website	See website
Retrofit	Yes	Yes
Equivalent Wattage (W)	60	60
Rated Power (W)	6.2	6.2
Rated Luminous Flux (lm)	806	806
Rated Lifetime (h)	15000	15000
Power Factor	0.50	0.50
Rated Peak Candelas (cd)	100	100
Lumen Maintenance Factor at		
Nominal Lifetime	15000	15000
CRI	80	80
Start Time (s)	0.10	0.10
Ambient Temperature Range (°C)	-20 to 40	-20 to 40

Energy Label – E27,B22 Cap

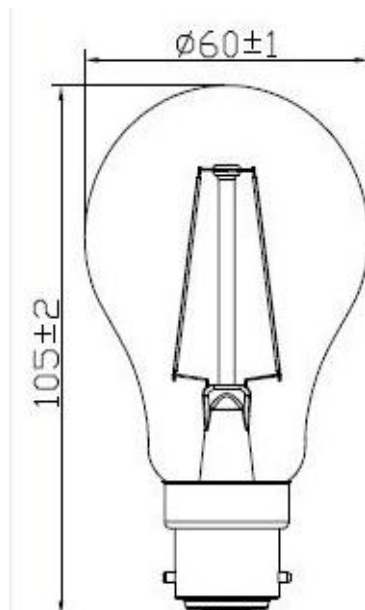
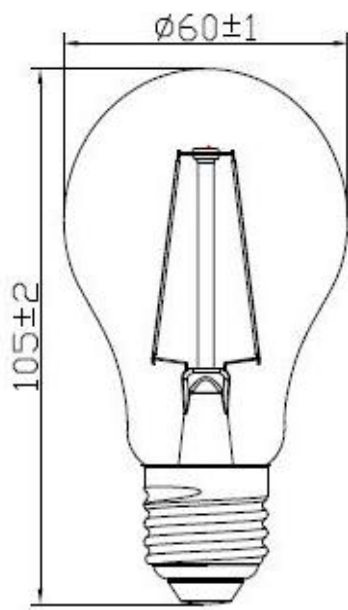
Energy Class	A++	A++
Energy Consumption (kWh/1000h)	6.2 (6.2)*	6.2 (6.2)*

* The kWh/1000h value published on the energy label is required to be rounded up to an integer according to the EU implementing directive on Energy Labelling. The value to 2 decimal places is given for reference.

Product Markings – E27,B22 Cap

Voltage	220-240Vac 50-60Hz	220-240Vac 50-60Hz
Nominal Power (W)	806	806
Current (mA)	55	55
CE Mark	Yes	Yes
WEEE Mark	Yes	Yes
Batch Code	Yes	Yes

Dimensions



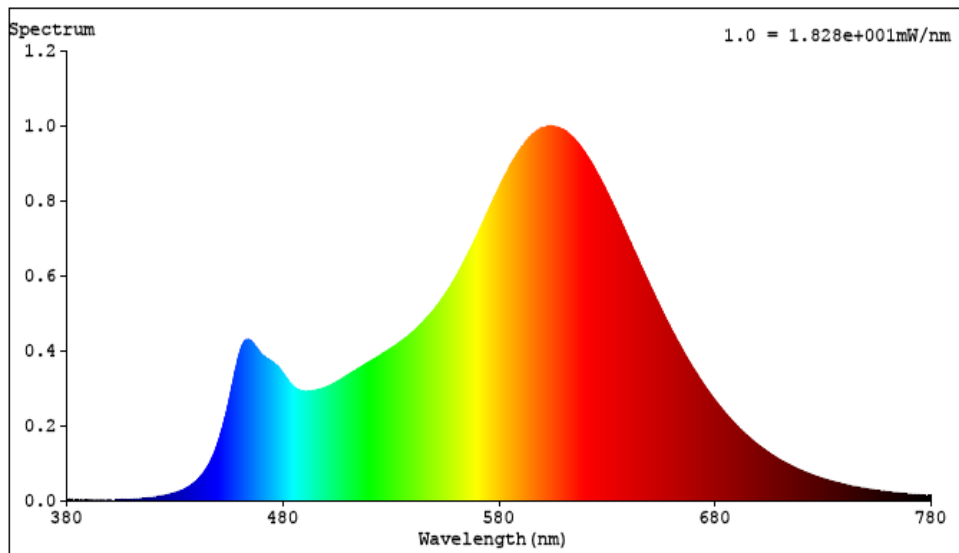
S9025

S9026

Photometric Information

2700K

Spectrum



Spectral Distribution