

# Parts Catalog

---

This “Parts Catalog” volume describes each part installed in the subsystem.

# Contents

<b>Chapter 1. Parts Catalog</b> .....	<b>PARTS 01-0000</b>
1.1 How to Use This Parts Catalog.....	PARTS 01-0000
1.2 System of Parts Catalog.....	PARTS 01-0010
1.3 Parts Catalog .....	PARTS 01-0020

# Chapter 1. Parts Catalog

This chapter contains catalogs of the parts of the subsystem and the devices composing the system.

Names and installation locations of parts are shown for the each model and the device.

In addition, classification of parts (into maintenance parts and optional parts) is also contained.

## 1.1 How to Use This Parts Catalog

① No.	② PART NUMBER	④ NAME OF PART	⑦ UNIT PER ASSY	⑧ REMARK
1-				
1	2103668-A	FINAL ASSY (RKM) (SEE LIST 1-1-1)		
2		• CONTROL UNIT (RKM : DF-F800-F1KM)	1 to 2	SP, OP
3		•• FC Interface Board (DF-F800-DKF42)		
4				
5				
6				
7		CANISTER UNIT (DF-F800-AKH146)	(2 to 15)	SP, OP
8		CANISTER UNIT (DF-F800-AKH300)	(2 to 15)	SP, OP
9				
10				
11				
12				
13				
14				

① : Indicates a list number of an assembly which is a broad division of the subsystem.

② : Indicates a serial number of a part listed in the above list.

③ : Indicates a part number (drawing number).

④ : Indicates relationship of parts as follows.

No dots: Main assembly

• : Detail part of a main assembly

•• : Detail part of a one-dot subassembly

••• : Detail part of a two-dot subassembly

⑤ : Indicates a part name

⑥ : Indicates a number of a detailed list when it exists. (Ex.: See No. 3-1-1.)

⑦ : Indicates a quantity per assembly.

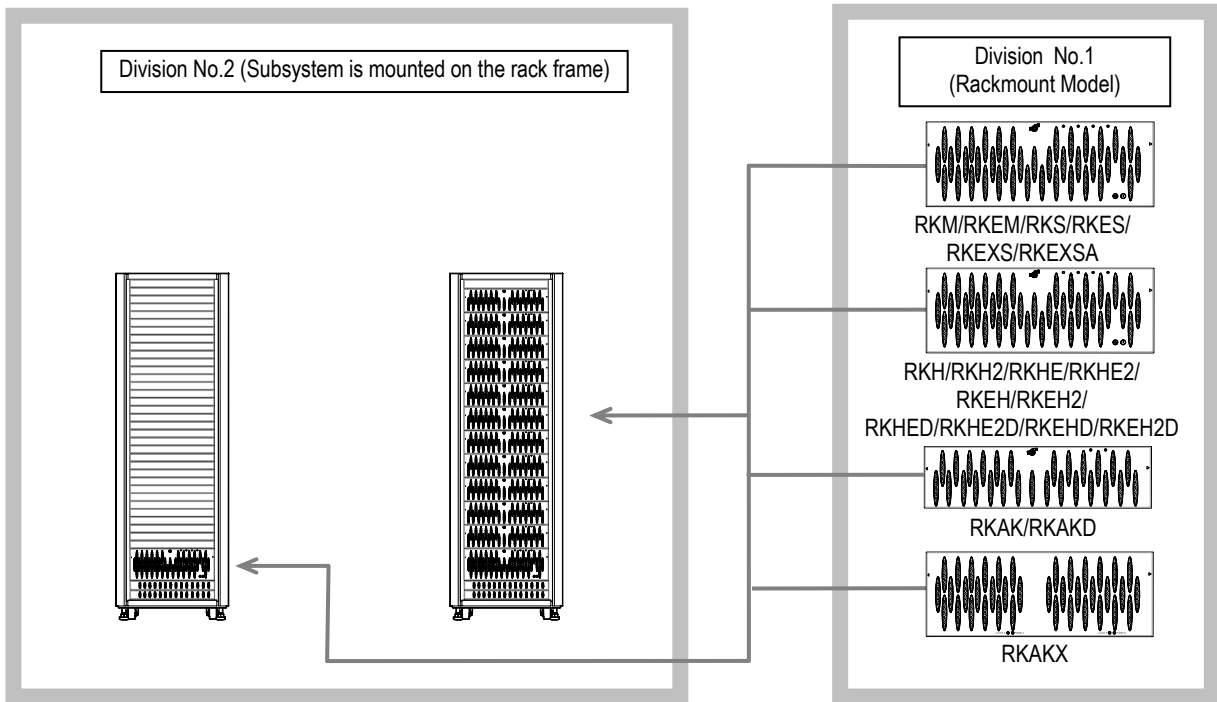
Number in parentheses indicates the minimum and maximum quantities of the installed parts.

⑧ : SP and OP means maintenance part and optional part respectively.

## 1.2 System of Parts Catalog

The parts and devices which compose the system are classified as shown below.

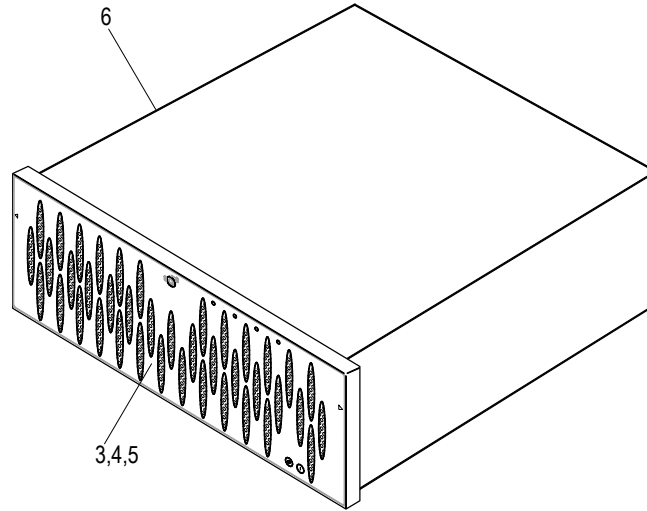
### (1) System of DF800 Parts Catalog



Division	Classification	Name of Part	No.	Sheet No.
1	Rackmount Model	DF800-RKM	1-1	<a href="#">PARTS 01-0020</a>
		DF800-RKEM	1-2	<a href="#">PARTS 01-0050</a>
		DF800-RKS	1-3	<a href="#">PARTS 01-0080</a>
		DF800-RKES	1-4	<a href="#">PARTS 01-0110</a>
		DF800-RKEXS	1-5	<a href="#">PARTS 01-0140</a>
		DF800-RKEXSA	1-6	<a href="#">PARTS 01-0170</a>
		DF800-RKH/RKH2/RKHE/RKHE2/RKEH/RKEH2	1-7	<a href="#">PARTS 01-0200</a>
		DF800-RKHED/RKHE2D/RKEHD/RKEH2D	1-8	<a href="#">PARTS 01-0230</a>
		DF-F800-RKAK	1-9	<a href="#">PARTS 01-0260</a>
		DF-F800-RKAKD	1-10	<a href="#">PARTS 01-0290</a>
		DF-F800-RKAKX	1-11	<a href="#">PARTS 01-0320</a>
2	Subsystem is mounted on the rack frame	RK40 Rack frame	2-1	<a href="#">PARTS 01-0350</a>

### 1.3 Parts Catalog

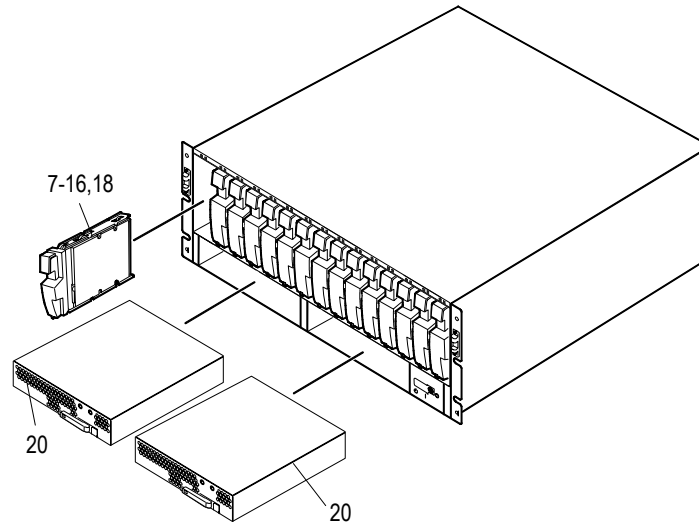
No. 1-1 DF800-RKM



**No.1-1 RKM (1)**

No.	PART NUMBER	NAME OF PART	UNIT PER ASSY	REMARK
1-1-		DF800-RKM		
1				
2				
3	3276156-A	• FRONT BEZEL (UBK)	1	SP
4	3276156-G	• FRONT BEZEL (UBKNUL)	1	SP
5	3282107-A	• FRONT BEZEL (UBKBDS)	1	SP
6	3282173-A	• EXCHANGE CHASSIS (RKM/RK/RK2)	1	SP

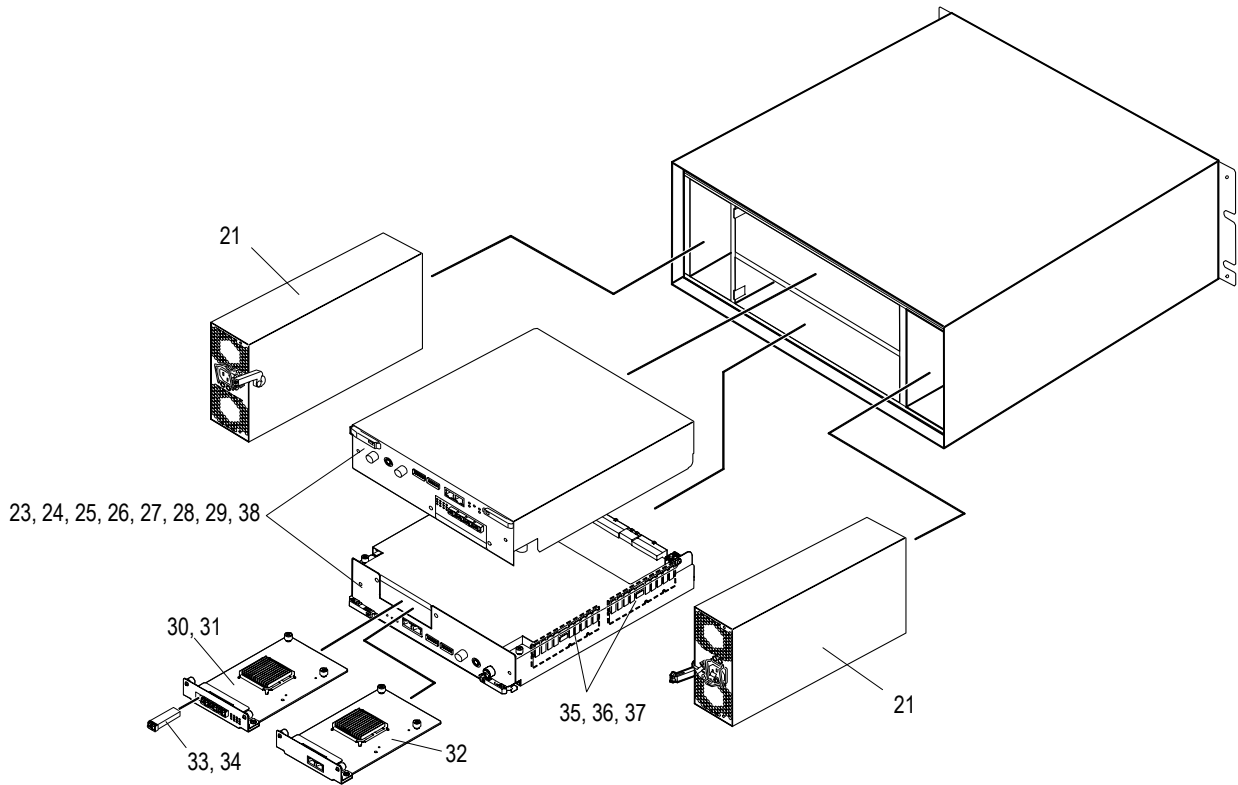
No. 1-1 DF800-RKM



**No.1-1 RKM (2)**

No.	PART NUMBER	NAME OF PART	UNIT PER ASSY	REMARK
1-1-		DF800-RKM		
7	3276138-A	CANISTER UNIT (142.61 Gbyte) (DF-F800-AKH146)	2 to 15	SP, OP
8	3276138-B	CANISTER UNIT (287.62 Gbyte) (DF-F800-AKH300)	2 to 15	SP, OP
9	3276308-A	CANISTER UNIT (392.73 Gbyte) (DF-F800-AKF400)	2 to 15	SP, OP
10	3276138-C	CANISTER UNIT (439.44 Gbyte) (DF-F800-AKH450)	2 to 15	SP, OP
11	3276138-D	CANISTER UNIT (575.30 Gbyte) (DF-F800-AKH600)	2 to 15	SP, OP
12	3276139-A	CANISTER UNIT (491.25 Gbyte) (DF-F800-AVE500)	2 to 15	SP, OP
13	3276139-B	CANISTER UNIT (737.49 Gbyte) (DF-F800-AVE750)	2 to 15	SP, OP
14	3276139-C	CANISTER UNIT (983.69 Gbyte) (DF-F800-AVE1K)	2 to 15	SP, OP
15	3276139-D	CANISTER UNIT (1,968.52 Gbyte) (DF-F800-AVE2K)	2 to 15	SP, OP
16	3282195-B	CANISTER UNIT (195.82 Gbyte) (DF-F800-AKS200)	2 to 15	SP, OP
17				
18		• DUMMY (DISK DRIVE)	0 to 13	
19				
20	3276079-A	• CACHE BACKUP BATTERY (DF-F800-N1K)	1 to 2	SP

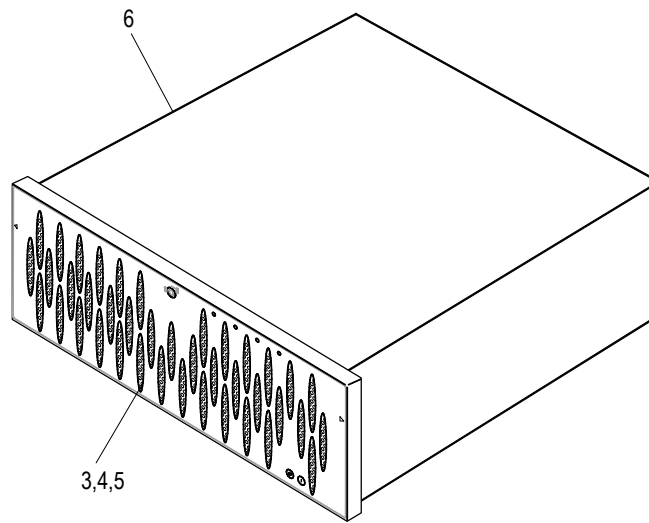
No. 1-1 DF800-RKM



No.1-1 RKM (3)

No.	PART NUMBER	NAME OF PART	UNIT PER ASSY	REMARK
1-1-		DF800-RKM		
21	3276080-A	• POWER UNIT	2	SP
22				
23	3276120-A	• CONTROL UNIT (RKM : DF-F800-F1KM)	1 to 2	
24	3282005-A	• CONTROL UNIT (RKM : HDF-F800-MFC4)	1 to 2	SP, OP
25	3282005-B	• CONTROL UNIT (RKM : HDF-F800-MIS4)	1 to 2	SP, OP
26	3282005-E	• CONTROL UNIT (RKM : HDF-F800- MFC8)	1 to 2	SP, OP
27	3282005-F	• CONTROL UNIT (RKM : HDF-F800-MIS8)	1 to 2	SP, OP
28	3282005-J	• CONTROL UNIT (RKM : HDF-F800- M8FC4)	1 to 2	SP, OP
29	3282005-K	• CONTROL UNIT (RKM : HDF-F800- M8FC8)	1 to 2	SP, OP
30	3276123-A	•• FC INTERFACE BOARD (DF-F800-DKF44)	1 to 2	
31	3282085-A	•• FC INTERFACE BOARD (DF-F800-DKF84)	1 to 2	
32	3276278-B	•• iSCSI INTERFACE BOARD (DF-F800-DKS12)	1 to 2	
33	3276337-A	HOST CONNECTOR (4 G bps)	4 to 8	SP
34	3276337-B	HOST CONNECTOR (8 G bps)	4 to 8	SP
35	3276125-A	•• CACHE UNIT (DF-F800-C1GK)	1 to 4	
36	3276125-B	•• CACHE UNIT (DF-F800-C2GK)	1 to 4	
37	3276125-J	•• CACHE UNIT (DF-F800-C4GK)	1 to 4	
38		• DUMMY (CONTROL UNIT)	0 to 1	

No. 1-2 DF800-RKEM

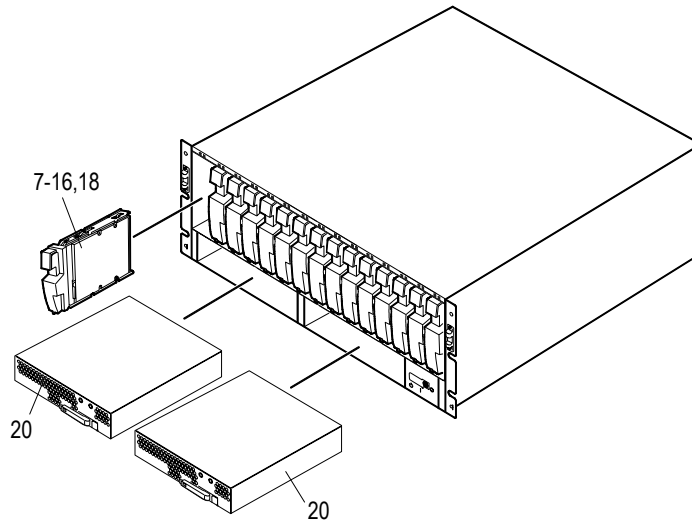


**No.1-2 RKEM (1)**

No.	PART NUMBER	NAME OF PART	UNIT PER ASSY	REMARK
1-2-		DF800-RKEM		
1				
2				
3	3276156-A	• FRONT BEZEL (UBK)	1	SP
4	3276156-G	• FRONT BEZEL (UBKNUL)	1	SP
5	3282107-A	• FRONT BEZEL (UBKBDS)	1	SP
6	3282173-A	• EXCHANGE CHASSIS (RKEM/RK/RK2)	1	SP



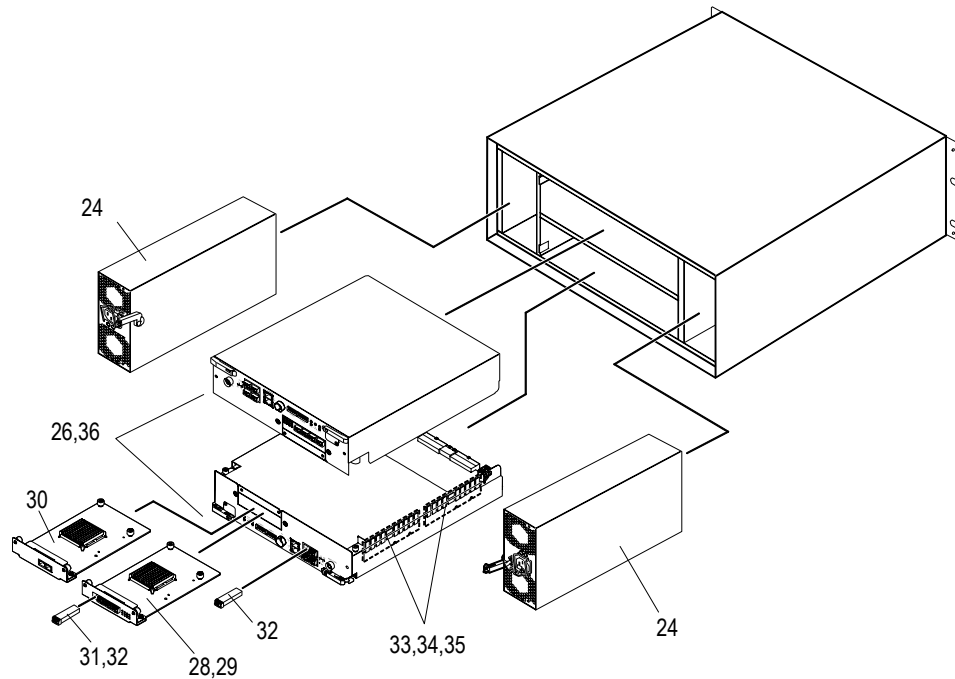
No. 1-2 DF800-RKEM



**No.1-2 RKEM (2)**

No.	PART NUMBER	NAME OF PART	UNIT PER ASSY	REMARK
1-2-		DF800-RKEM		
7	3276138-A	CANISTER UNIT (142.61 Gbyte) (DF-F800-AKH146)	2 to 15	SP, OP
8	3276138-B	CANISTER UNIT (287.62 Gbyte) (DF-F800-AKH300)	2 to 15	SP, OP
9	3276308-A	CANISTER UNIT (392.73 Gbyte) (DF-F800-AKF400)	2 to 15	SP, OP
10	3276138-C	CANISTER UNIT (439.44 Gbyte) (DF-F800-AKH450)	2 to 15	SP, OP
11	3276138-D	CANISTER UNIT (575.30 Gbyte) (DF-F800-AKH600)	2 to 15	SP, OP
12	3276139-A	CANISTER UNIT (491.25 Gbyte) (DF-F800-AVE500)	2 to 15	SP, OP
13	3276139-B	CANISTER UNIT (737.49 Gbyte) (DF-F800-AVE750)	2 to 15	SP, OP
14	3276139-C	CANISTER UNIT (983.69 Gbyte) (DF-F800-AVE1K)	2 to 15	SP, OP
15	3276139-D	CANISTER UNIT (1,968.52 Gbyte) (DF-F800-AVE2K)	2 to 15	SP, OP
16	3282195-B	CANISTER UNIT (195.82 Gbyte) (DF-F800-AKS200)	2 to 15	SP, OP
17				
18		• DUMMY (DISK DRIVE)	0 to 13	
19				
20	3276079-A	• CACHE BACKUP BATTERY (DF-F800-N1K)	1 to 2	SP

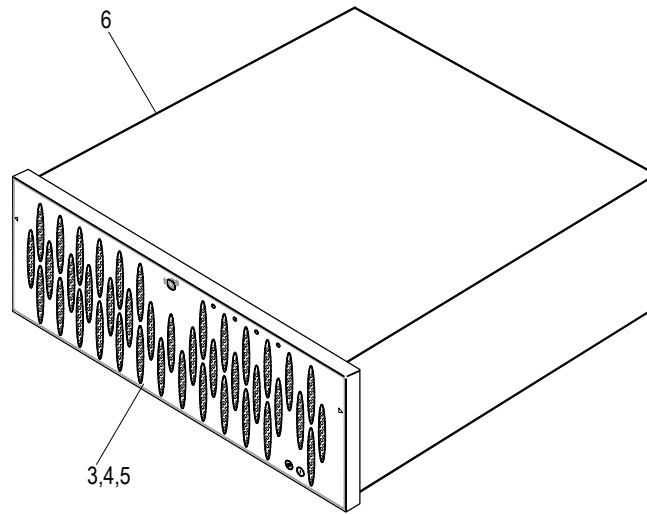
No. 1-2 DF800-RKEM



No.1-2 RKEM (3)

No.	PART NUMBER	NAME OF PART	UNIT PER ASSY	REMARK
1-2-		DF800-RKEM		
21				
22				
23				
24	3276080-A	• POWER UNIT	2	SP
25				
26	3282247-B	• CONTROL UNIT (RKEM : DF-F800-F2KEM)	1 to 2	SP, OP
27				
28	3276123-A	•• FC INTERFACE BOARD (DF-F800-DKF44)	1 to 2	SP, OP
29	3282085-A	•• FC INTERFACE BOARD (DF-F800-DKF84)	1 to 2	SP, OP
30	3276278-B	•• iSCSI INTERFACE BOARD (DF-F800-DKS12)	1 to 2	SP, OP
31	3276337-A	HOST CONNECTOR (4 G bps)	4 to 8	SP
32	3276337-B	HOST CONNECTOR (8 G bps)	4 to 8	SP
33	3276125-A	•• CACHE UNIT (DF-F800-C1GK)	1 to 4	SP, OP
34	3276125-B	•• CACHE UNIT (DF-F800-C2GK)	1 to 4	SP, OP
35	3276125-J	•• CACHE UNIT (DF-F800-C4GK)	1 to 4	SP, OP
36		• DUMMY (CONTROL UNIT)	0 to 1	

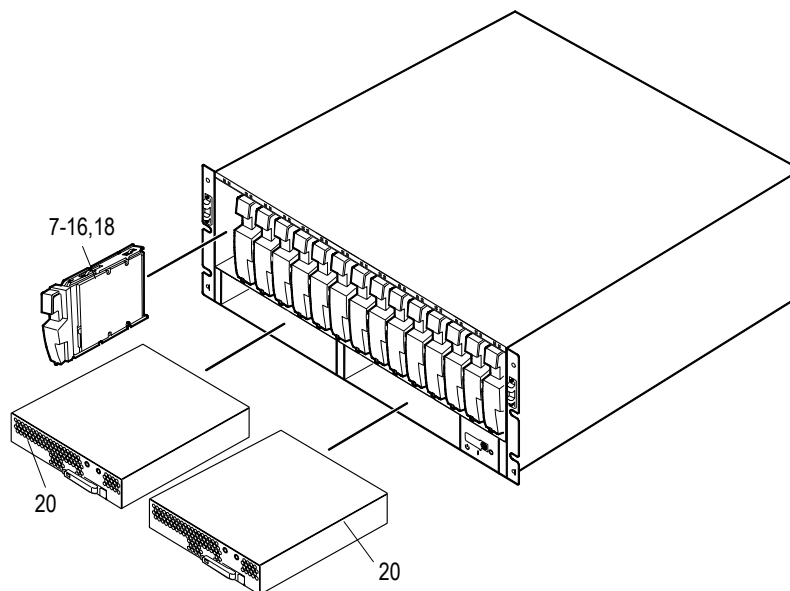
No. 1-3 DF800-RKS



**No.1-3 RKS (1)**

No.	PART NUMBER	NAME OF PART	UNIT PER ASSY	REMARK
1-3-		DF800-RKS		
1				
2				
3	3276156-A	• FRONT BEZEL (UBK)	1	SP
4	3276156-G	• FRONT BEZEL (UBKNUL)	1	SP
5	3282107-A	• FRONT BEZEL (UBKBDS)	1	SP
6	3282173-A	• EXCHANGE CHASSIS (RKS/RK/RK2)	1	SP

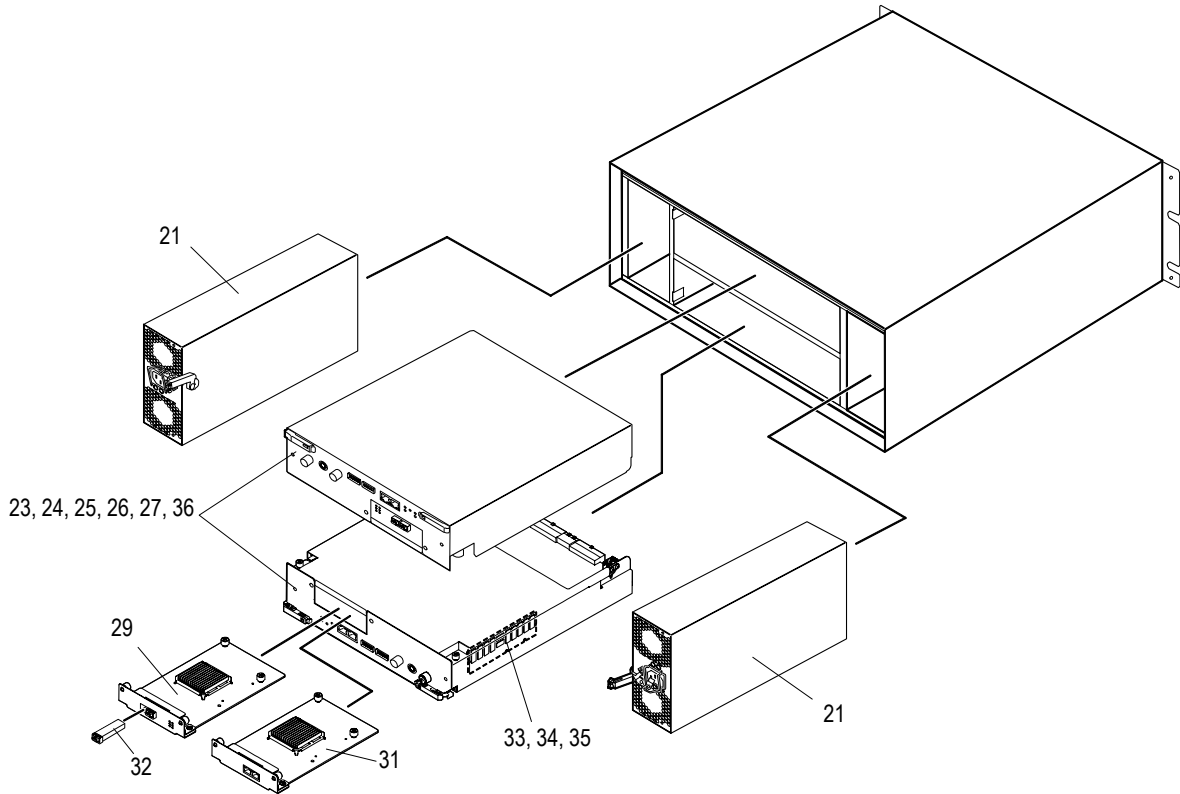
No. 1-3 DF800-RKS



No.1-3 RKS (2)

No.	PART NUMBER	NAME OF PART	UNIT PER ASSY	REMARK
1-3-		DF800-RKS		
7	3276138-A	CANISTER UNIT (142.61 Gbyte) (DF-F800-AKH146)	2 to 15	SP, OP
8	3276138-B	CANISTER UNIT (287.62 Gbyte) (DF-F800-AKH300)	2 to 15	SP, OP
9	3276308-A	CANISTER UNIT (392.73 Gbyte) (DF-F800-AKF400)	2 to 15	SP, OP
10	3276138-C	CANISTER UNIT (439.44 Gbyte) (DF-F800-AKH450)	2 to 15	SP, OP
11	3276138-D	CANISTER UNIT (575.30 Gbyte) (DF-F800-AKH600)	2 to 15	SP, OP
12	3276139-A	CANISTER UNIT (491.25 Gbyte) (DF-F800-AVE500)	2 to 15	SP, OP
13	3276139-B	CANISTER UNIT (737.49 Gbyte) (DF-F800-AVE750)	2 to 15	SP, OP
14	3276139-C	CANISTER UNIT (983.69 Gbyte) (DF-F800-AVE1K)	2 to 15	SP, OP
15	3276139-D	CANISTER UNIT (1,968.52 Gbyte) (DF-F800-AVE2K)	2 to 15	SP, OP
16	3282195-B	CANISTER UNIT (195.82 Gbyte) (DF-F800-AKS200)	2 to 15	SP, OP
17				
18		• DUMMY (DISK DRIVE)	0 to 13	
19				
20	3276079-A	• CACHE BACKUP BATTERY (DF-F800-N1K)	1(*1)	SP

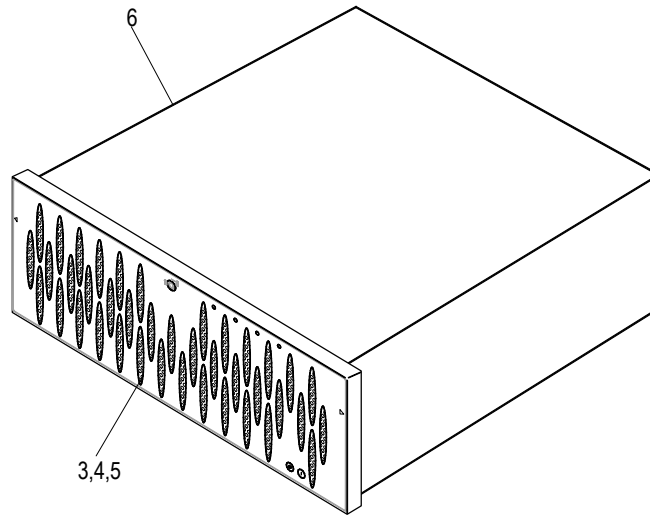
No. 1-3 DF800-RKS



No.1-3 RKS (3)

No.	PART NUMBER	NAME OF PART	UNIT PER ASSY	REMARK
1-3-		DF800-RKS		
21	3276080-A	• POWER UNIT	2	SP
22				
23	3276121-A	• CONTROL UNIT (RKS : DF-F800-F1KS)	1 to 2	
24	3282005-C	• CONTROL UNIT (RKS : HDF-F800-SFC2)	1 to 2	SP, OP
25	3282005-D	• CONTROL UNIT (RKS : HDF-F800-SIS2)	1 to 2	SP, OP
26	3282005-G	• CONTROL UNIT (RKS : HDF-F800- SFC4)	1 to 2	SP, OP
27	3282005-H	• CONTROL UNIT (RKS : HDF-F800-SIS4)	1 to 2	SP, OP
28				
29	3276122-A	•• FC INTERFACE BOARD (DF-F800-DKF42)	1 to 2	
30				
31	3276278-B	•• iSCSI INTERFACE BOARD (DF-F800-DKS12)	1 to 2	
32	3276337-A	Host Connector (4 G bps)	2 to 4	SP
33	3276125-A	•• CACHE UNIT (DF-F800-C1GK)	1 to 2	
34	3276125-B	•• CACHE UNIT (DF-F800-C2GK)	1 to 2	
35	3276125-J	•• CACHE UNIT (DF-F800-C4GK)	1 to 2	
36		• DUMMY (CONTROL UNIT)	0 to 1	

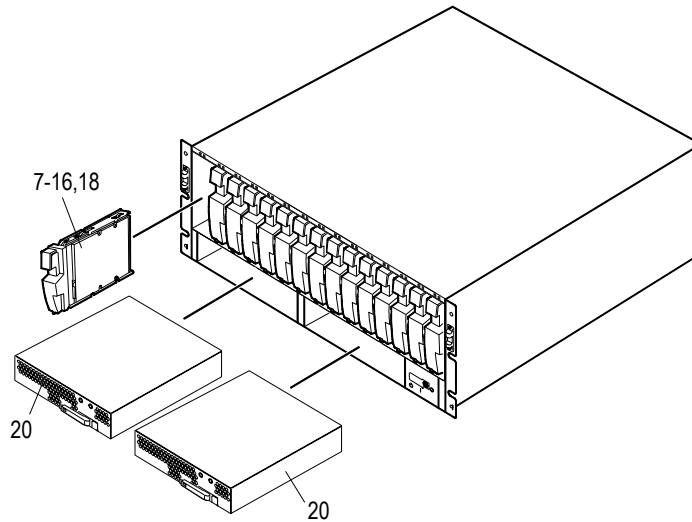
No. 1-4 DF800-RKES



**No.1-4 RKES (1)**

No.	PART NUMBER	NAME OF PART	UNIT PER ASSY	REMARK
1-4-		DF800-RKES		
1				
2				
3	3276156-A	• FRONT BEZEL (UBK)	1	SP
4	3276156-G	• FRONT BEZEL (UBKNUL)	1	SP
5	3282107-A	• FRONT BEZEL (UBKBDS)	1	SP
6	3282173-A	• EXCHANGE CHASSIS (RKES/RK/RK2)	1	SP

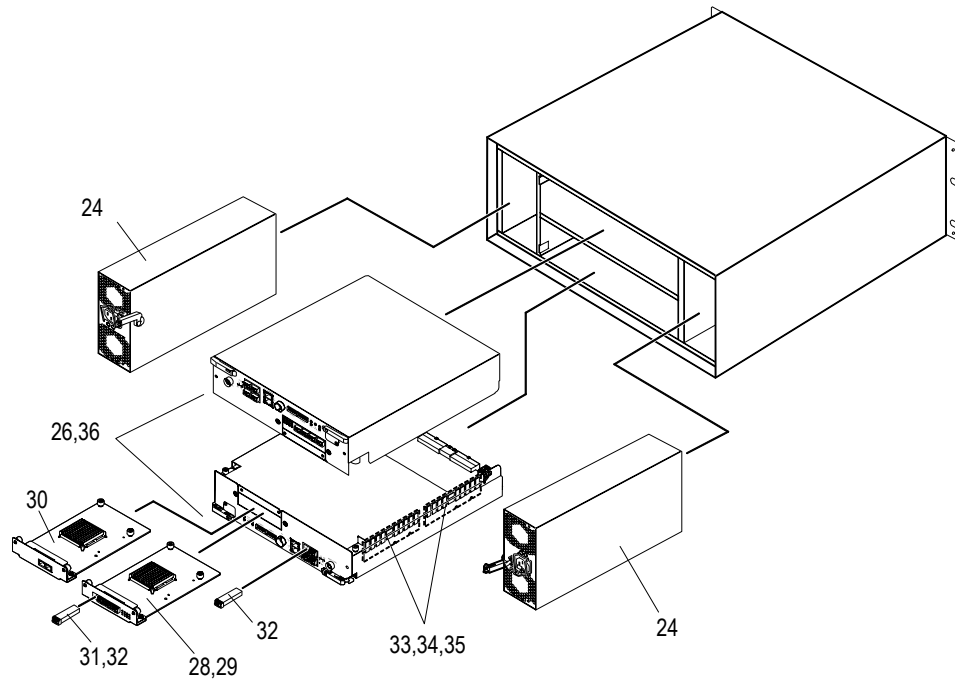
No. 1-4 DF800-RKES



**No.1-4 RKES (2)**

No.	PART NUMBER	NAME OF PART	UNIT PER ASSY	REMARK
1-4-		DF800-RKES		
7	3276138-A	CANISTER UNIT (142.61 Gbyte) (DF-F800-AKH146)	2 to 15	SP, OP
8	3276138-B	CANISTER UNIT (287.62 Gbyte) (DF-F800-AKH300)	2 to 15	SP, OP
9	3276308-A	CANISTER UNIT (392.73 Gbyte) (DF-F800-AKF400)	2 to 15	SP, OP
10	3276138-C	CANISTER UNIT (439.44 Gbyte) (DF-F800-AKH450)	2 to 15	SP, OP
11	3276138-D	CANISTER UNIT (575.30 Gbyte) (DF-F800-AKH600)	2 to 15	SP, OP
12	3276139-A	CANISTER UNIT (491.25 Gbyte) (DF-F800-AVE500)	2 to 15	SP, OP
13	3276139-B	CANISTER UNIT (737.49 Gbyte) (DF-F800-AVE750)	2 to 15	SP, OP
14	3276139-C	CANISTER UNIT (983.69 Gbyte) (DF-F800-AVE1K)	2 to 15	SP, OP
15	3276139-D	CANISTER UNIT (1,968.52 Gbyte) (DF-F800-AVE2K)	2 to 15	SP, OP
16	3282195-B	CANISTER UNIT (195.82 Gbyte) (DF-F800-AKS200)	2 to 15	SP, OP
17				
18		• DUMMY (DISK DRIVE)	0 to 13	
19				
20	3276079-A	• CACHE BACKUP BATTERY (DF-F800-N1K)	1-2	SP

No. 1-4 DF800-RKES

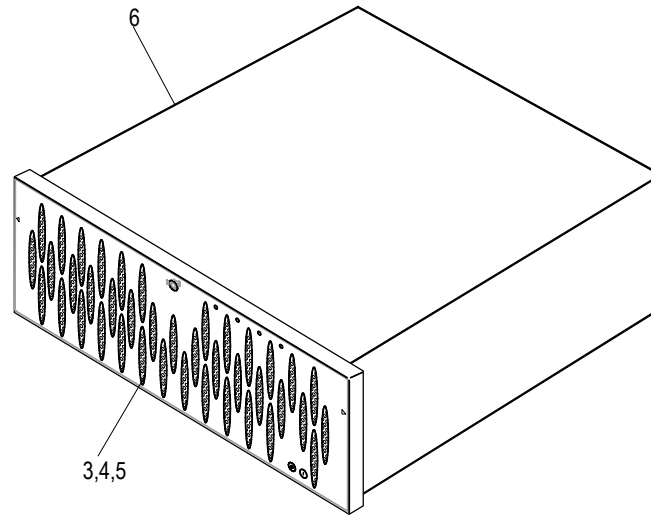


No.1-4 RKES (3)

No.	PART NUMBER	NAME OF PART	UNIT PER ASSY	REMARK
1-4-		DF800-RKES		
21				
22				
23				
24	3276080-A	• POWER UNIT	2	SP
25				
26	3282248-B	• CONTROL UNIT (RKES : DF-F800- F2KES)	1 to 2	SP, OP
27	3276122-A	•• FC INTERFACE BOARD (DF-F800-DKF42)	1 to 2	SP, OP
28	3282263-A	•• FC INTERFACE BOARD (DF-F800-DKF82)	1 to 2	SP, OP
29	3276278-B	•• iSCSI INTERFACE BOARD (DF-F800-DKS12)	1 to 2	SP, OP
30				
31	3276337-A	Host Connector (4 G bps)	2 to 4	SP
32	3276337-B	Host Connector (8 G bps)	2 to 4	SP
33	3276125-A	•• CACHE UNIT (DF-F800-C1GK)	1 to 2	SP, OP
34	3276125-B	•• CACHE UNIT (DF-F800-C2GK)	1 to 2	SP, OP
35	3276125-J	•• CACHE UNIT (DF-F800-C4GK)	1 to 2	SP, OP
36		• DUMMY (CONTROL UNIT)	0 to 1	



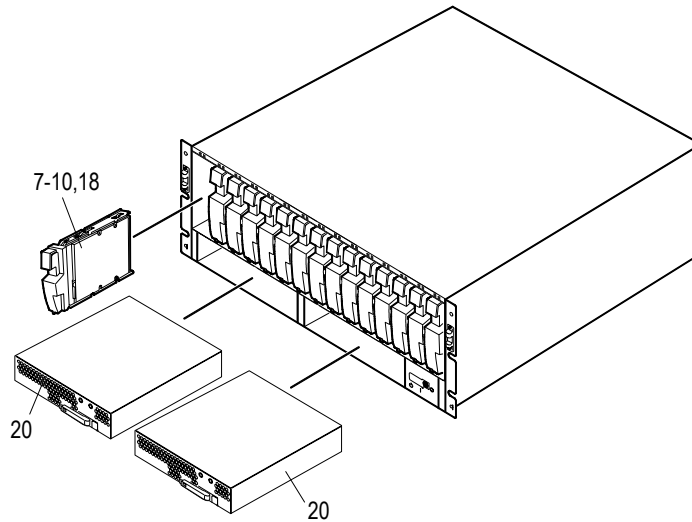
No. 1-5 DF800-RKEXS



**No.1-5 RKEXS (1)**

No.	PART NUMBER	NAME OF PART	UNIT PER ASSY	REMARK
1-5-		DF800-RKEXS		
1				
2				
3	3276156-A	• FRONT BEZEL (UBK)	1	SP
4	3276156-G	• FRONT BEZEL (UBKNUL)	1	SP
5	3282107-A	• FRONT BEZEL (UBKBDS)	1	SP
6	3282173-A	• EXCHANGE CHASSIS (RKEXS/RK/RK2)	1	SP

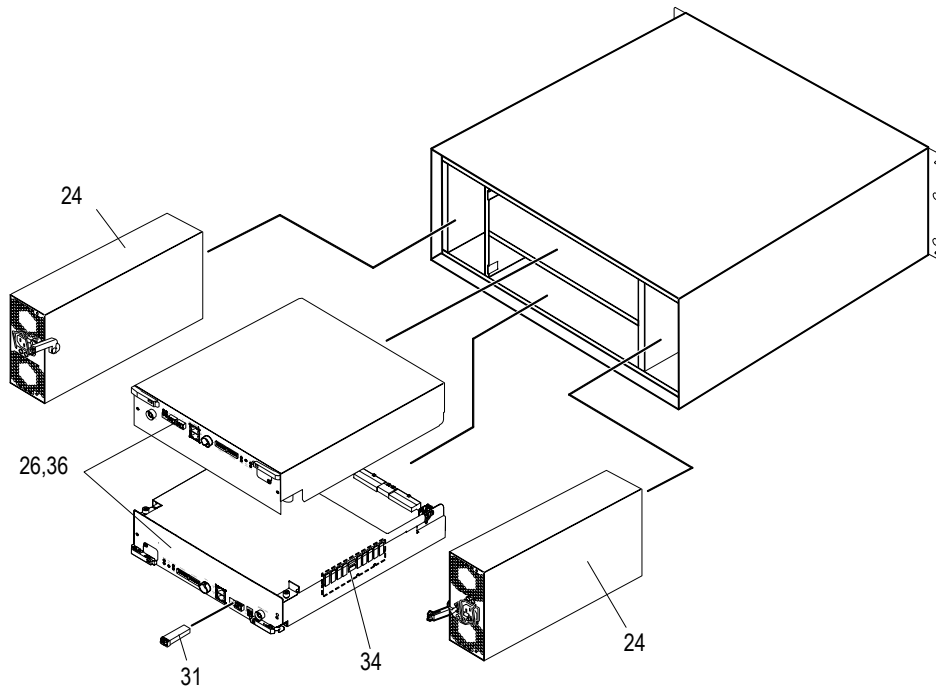
No. 1-5 DF800-RKEXS



**No.1-5 RKEXS (2)**

No.	PART NUMBER	NAME OF PART	UNIT PER ASSY	REMARK
1-5-		DF800-RKEXS		
7	3276138-C	CANISTER UNIT (439.44 Gbyte) (DF-F800-AKH450)	2 to 15	SP, OP
8	3276138-D	CANISTER UNIT (575.30 Gbyte) (DF-F800-AKH600)	2 to 15	SP, OP
9	3276139-C	CANISTER UNIT (983.69 Gbyte) (DF-F800-AVE1K)	2 to 15	SP, OP
10	3276139-D	CANISTER UNIT (1,968.52 Gbyte) (DF-F800-AVE2K)	2 to 15	SP, OP
11				
12				
13				
14				
15				
16				
17				
18		• DUMMY (DISK DRIVE)	0 to 13	
19				
20	3276079-A	• CACHE BACKUP BATTERY (DF-F800-N1K)	1-2	SP

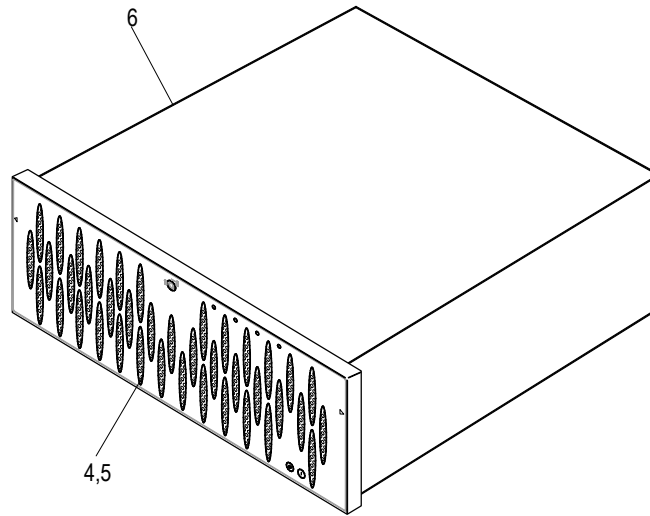
No. 1-5 DF800-RKEXS



No.1-5 RKEXS (3)

No.	PART NUMBER	NAME OF PART	UNIT PER ASSY	REMARK
1-5-		DF800-RKEXS		
21				
22				
23				
24	3276080-A	• POWER UNIT	2	SP
25				
26	3282246-A	• CONTROL UNIT (RKEXS : DF-F800- F1KEXS)	1 to 2	SP, OP
27				
28				
29				
30				
31	3276337-A	Host Connector (4 G bps)	2 to 4	SP
32				
33				
34	3276125-B	•• CACHE UNIT (DF-F800-C2GK)	1 to 2	SP, OP
35				
36		• DUMMY (CONTROL UNIT)	0 to 1	

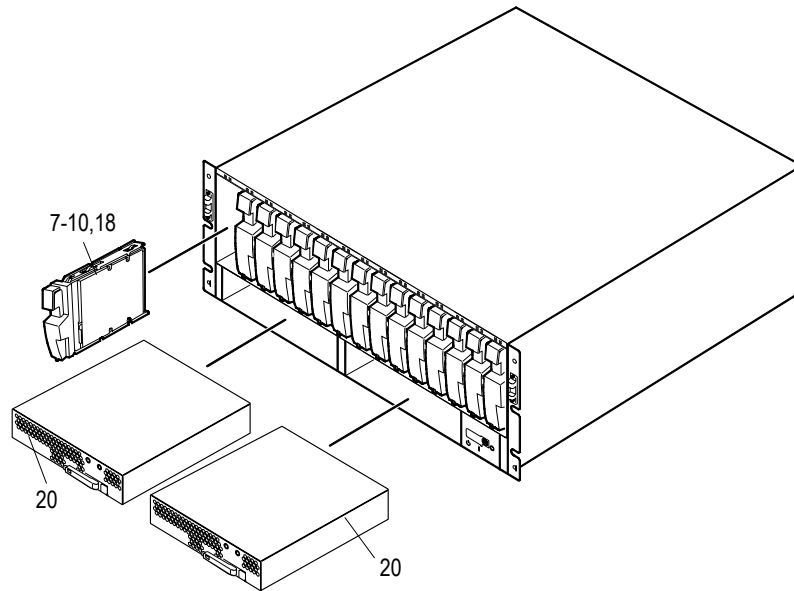
No. 1-6 DF800-RKEXSA



No.1-6 RKEXSA (1)

No.	PART NUMBER	NAME OF PART	UNIT PER ASSY	REMARK
1-6-		DF800-RKEXSA		
1				
2				
3				
4	3276156-G	• FRONT BEZEL (UBKNUL)	1	SP
5	3282107-A	• FRONT BEZEL (UBKBDS)	1	SP
6	3282173-A	• EXCHANGE CHASSIS (RKEXSA/RK/RK2)	1	SP

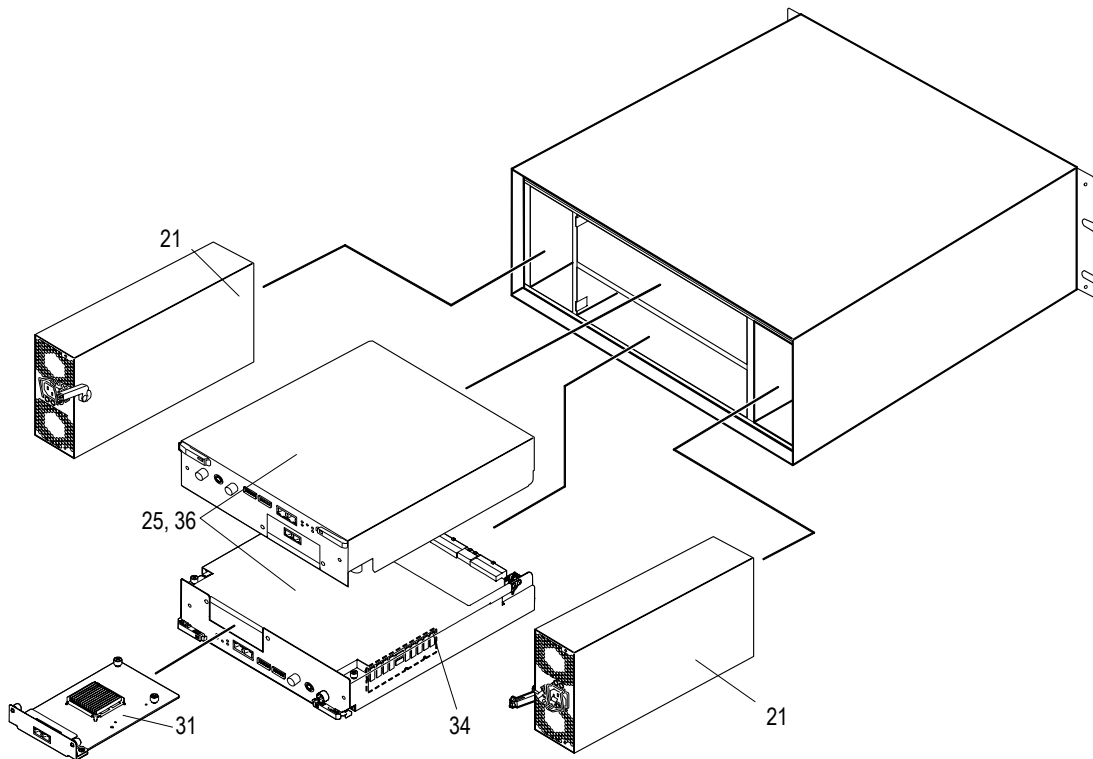
No. 1-6 DF800-RKEXSA



No.1-6 RKEXSA (2)

No.	PART NUMBER	NAME OF PART	UNIT PER ASSY	REMARK
1-6-		DF800-RKEXSA		
7	3276138-C	CANISTER UNIT (439.44 Gbyte) (DF-F800-AKH450)	2 to 15	SP, OP
8	3276138-D	CANISTER UNIT (575.30 Gbyte) (DF-F800-AKH600)	2 to 15	SP, OP
9	3276139-C	CANISTER UNIT (983.69 Gbyte) (DF-F800-AVE1K)	2 to 15	SP, OP
10	3276139-D	CANISTER UNIT (1,968.52 Gbyte) (DF-F800-AVE2K)	2 to 15	SP, OP
11				
12				
13				
14				
15				
16				
17				
18		• DUMMY (DISK DRIVE)	0 to 13	
19				
20	3276079-A	• CACHE BACKUP BATTERY (DF-F800-N1K)	1	SP

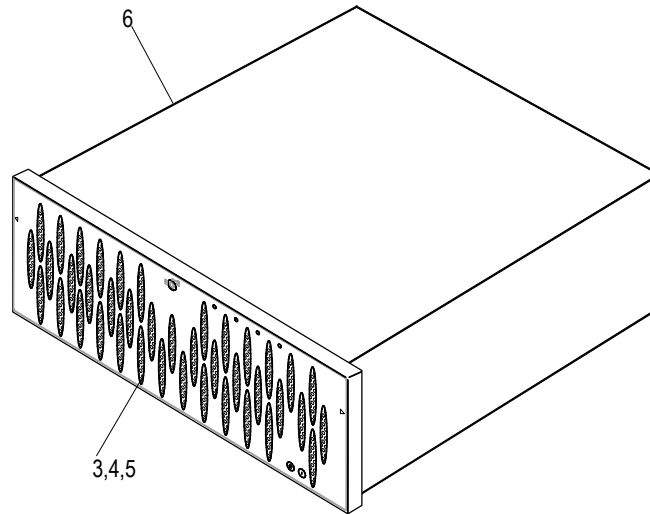
No. 1-6 DF800-RKEXSA



No.1-6 RKEXSA (3)

No.	PART NUMBER	NAME OF PART	UNIT PER ASSY	REMARK
1-6-		DF800-RKEXSA		
21	3276080-A	• POWER UNIT	2	SP
22				
23				
24				
25	3282005-D	• CONTROL UNIT (RKEXSA : HDF-F800-SIS2)	1 to 2	SP, OP
26				
27				
28				
29				
30				
31	3276278-B	•• iSCSI INTERFACE BOARD (DF-F800-DKS12)	1 to 2	
32				
33				
34	3276125-B	•• CACHE UNIT (DF-F800-C2GK)	1 to 2	
35				
36		• DUMMY (CONTROL UNIT)	0 to 1	

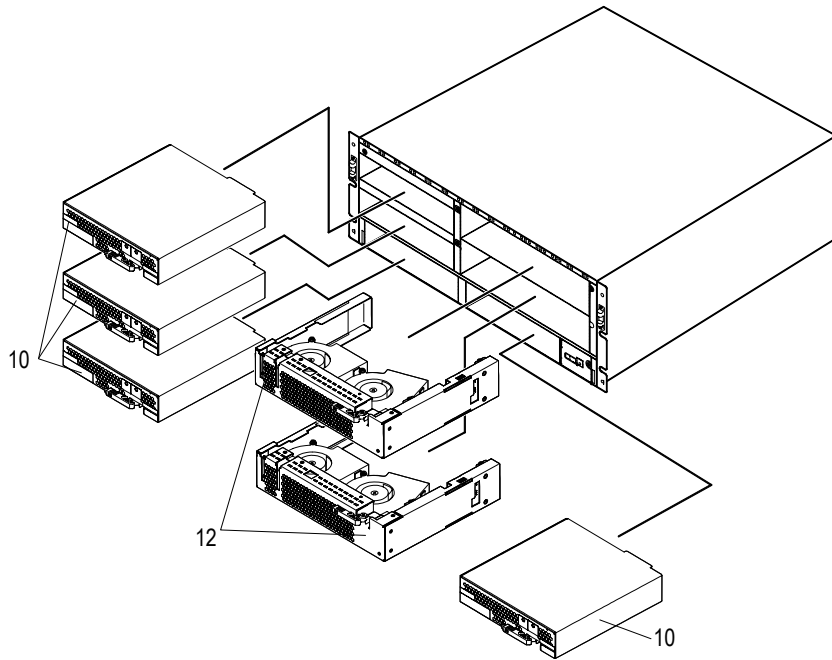
No. 1-7 DF800-RKH/DF800-RKH2/DF800-RKHE/DF800-RKHE2/DF800-RKEH/DF800-RKEH2



No.1-7 RKH/RKH2/RKHE/RKHE2/RKEH/RKEH2 (1)

No.	PART NUMBER	NAME OF PART	UNIT PER ASSY	REMARK
1-7-		DF800-RKH/DF800-RKH2/DF800-RKHE/ DF800-RKHE2/DF800-RKEH/DF800-RKEH2		
1				
2				
3	3276156-A	• FRONT BEZEL (UBK)	1	SP
4	3276156-G	• FRONT BEZEL (UBKNUL)	1	SP
5	3282107-A	• FRONT BEZEL (UBKBDS)	1	SP
6	3282174-A	• EXCHANGE CHASSIS (RKH/RKH2/RKHE/RKHE2/RKEH/RKEH2)	1	SP

No. 1-7 DF800-RKH/DF800-RKH2/DF800-RKHE/DF800-RKHE2/DF800-RKEH/DF800-RKEH2

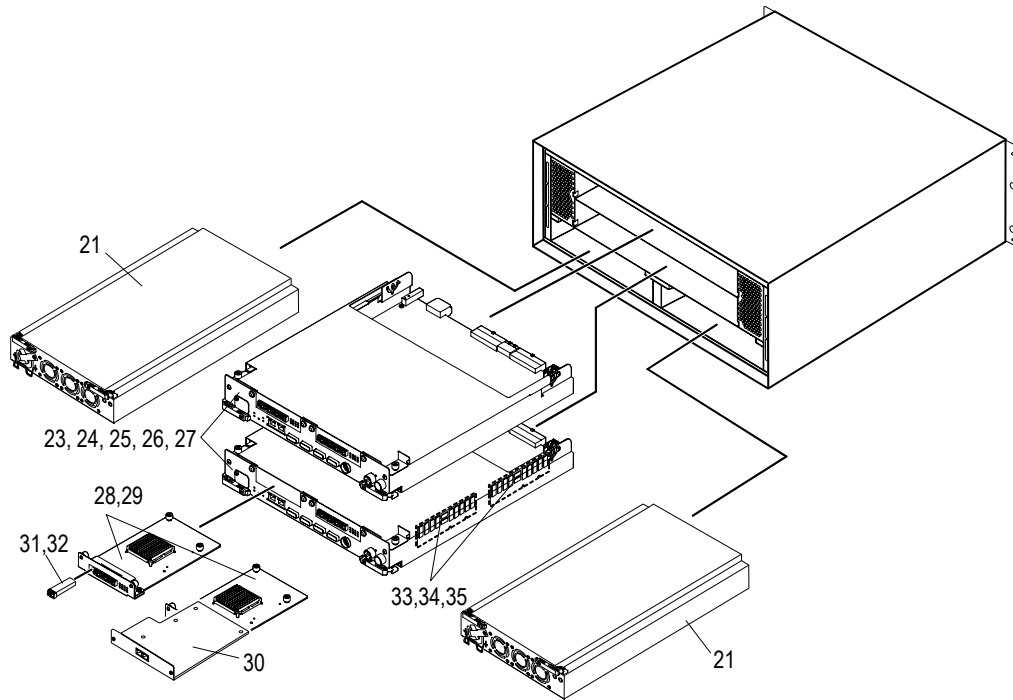


No.1-7 RKH/RKH2/RKHE/RKHE2/RKEH/RKEH2 (2)

No.	PART NUMBER	NAME OF PART	UNIT PER ASSY	REMARK
1-7-		DF800-RKH/DF800-RKH2/DF800-RKHE/ DF800-RKHE2/DF800-RKEH/DF800-RKEH2		
7				
8				
9				
10	3276079-A	• CACHE BACKUP BATTERY (DF-F800-N1K)	2-4	SP, OP
11				
12	3276374-A	• FAN UNIT	2	SP
13				
14				
15				
16				
17				
18				
19				
20				



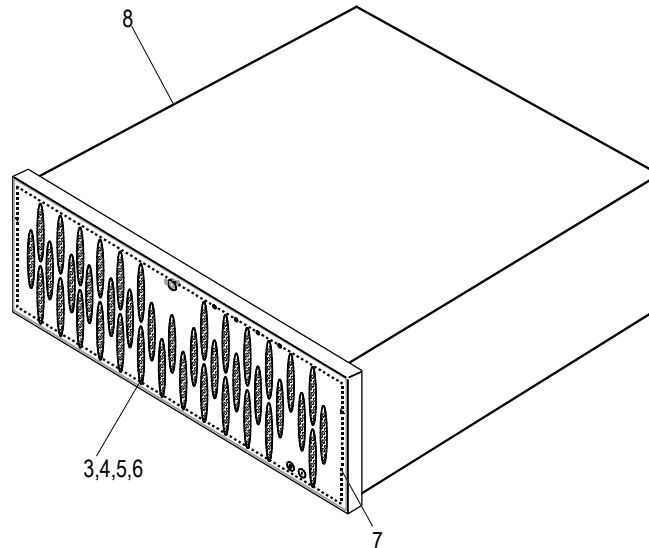
No. 1-7 DF800-RKH/DF800-RKH2/DF800-RKHE/DF800-RKHE2/DF800-RKEH/DF800-RKEH2



No.1-7 RKH/RKH2/RKHE/RKHE2/RKEH/RKEH2 (3)

No.	PART NUMBER	NAME OF PART	UNIT PER ASSY	REMARK
1-7		DF800-RKH/DF800-RKH2/DF800-RKHE/ DF800-RKHE2/DF800-RKEH/DF800-RKEH2		
21	3276255-A	• POWER UNIT	2	SP
22				
23	3276376-A	• CONTROL UNIT (RKH)	2	
24	3282030-A	• CONTROL UNIT (RKHE)	2	
25	3282006-A	• CONTROL UNIT (RKHE) (2G bytes CACHE UNIT)	2	SP
26	3282006-B	• CONTROL UNIT (RKHE) (4G bytes CACHE UNIT)	2	SP
27	3282249-B	• CONTROL UNIT (RKEH)	2	SP
28	3276123-A	•• FC INTERFACE BOARD (DF-F800-DKF44)	2 to 4	
29	3282085-A	•• FC INTERFACE BOARD (DF-F800-DKF84)	2 to 4	
30	3276278-B	•• iSCSI INTERFACE BOARD (DF-F800-DKS12)	2 to 4	
31	3276337-A	Host Connector (4 G bps)	8 to 16	SP
32	3276337-B	Host Connector (8 G bps)	8 to 16	SP
33	3276125-A	•• CACHE UNIT (1 G bytes) (DF-F800-C1GK)	4 to 8	
34	3276125-B	•• CACHE UNIT (2 G bytes) (DF-F800-C2GK)	4 to 8	
35	3276125-J	•• CACHE UNIT (4 G bytes) (DF-F800-C4GK)	4 to 8	
36				

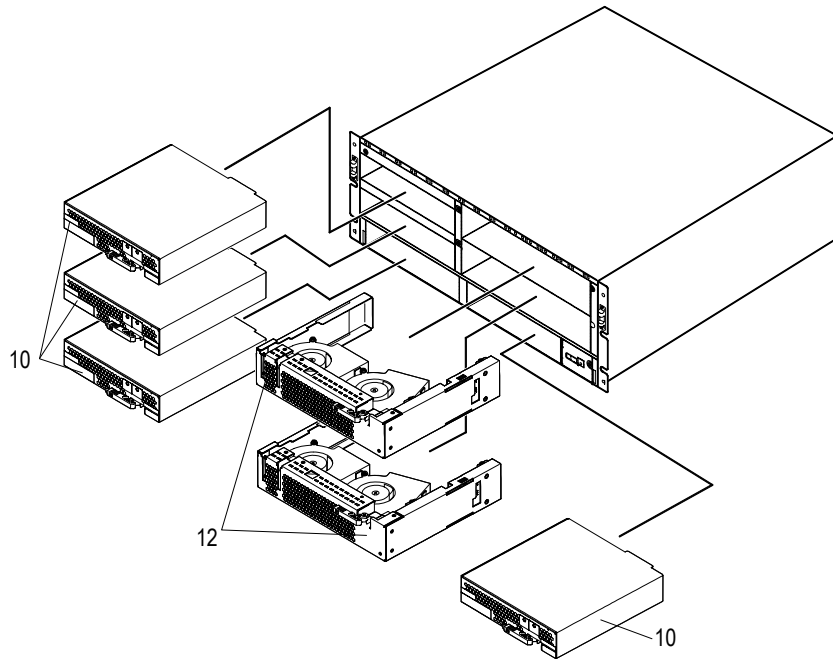
No. 1-8 DF800-RKHED/DF800-RKHE2D/DF800-RKEHD/DF800-RKEH2D



No.1-8 RKHED/RKHE2D/RKEHD/RKEH2D (1)

No.	PART NUMBER	NAME OF PART	UNIT PER ASSY	REMARK
1-8		DF800-RKHED/DF800-RKHE2D/DF800-RKEHD/DF800-RKEH2D		
1				
2				
3	3276156-A	• FRONT BEZEL (UBK)	1	SP
4	3276156-G	• FRONT BEZEL (UBKNUL)	1	SP
5	3282107-A	• FRONT BEZEL (UBKBDS)	1	SP
6	3282058-A	• FRONT BEZEL (UBKD)	1	SP
7	3282136-A	• AIR FILTER (UBKD)	1	SP
8	3282174-A	• EXCHANGE CHASSIS (RKH/RKH2/RKHE/RKHE2/RKEHD/RKEH2D)	1	SP

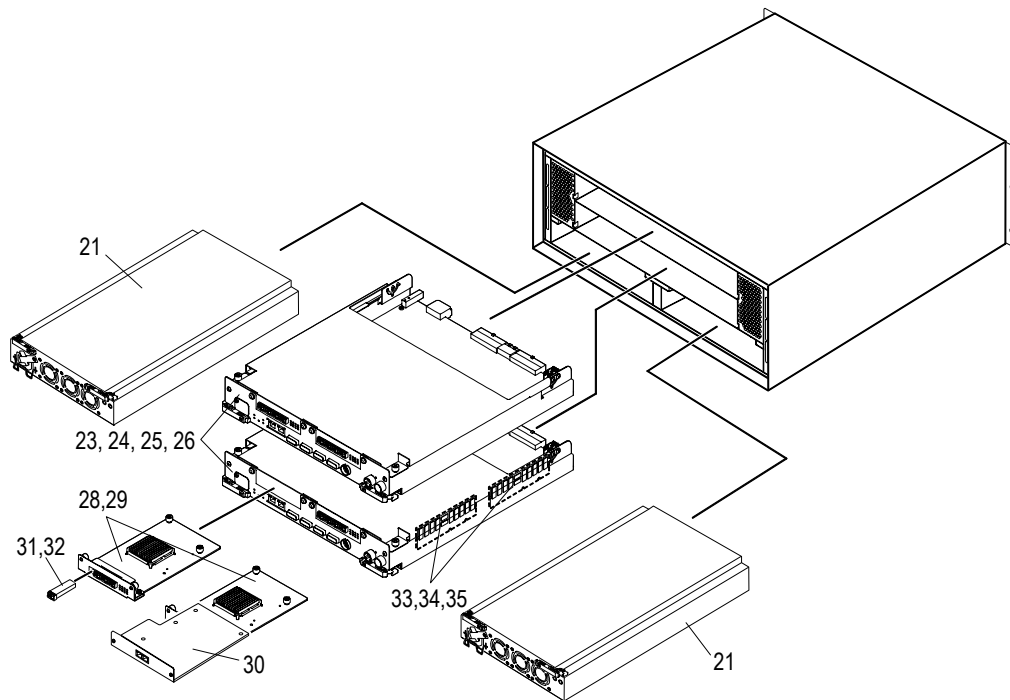
No. 1-8 DF800-RKHED/DF800-RKHE2D/DF800-RKEHD/DF800-RKEH2D



No.1-8 RKHED/RKHE2D/RKEHD/RKEH2D (2)

No.	PART NUMBER	NAME OF PART	UNIT PER ASSY	REMARK
1-8-		DF800-RKHED/DF800-RKHE2D/DF800-RKEHD/ DF800-RKEH2D		
9				
10	3276079-A	• CACHE BACKUP BATTERY (DF-F800-N1K)	2-4	SP, OP
11				
12	3276374-A	• FAN UNIT	2	SP
13				
14				
15				
16				
17				
18				
19				
20				

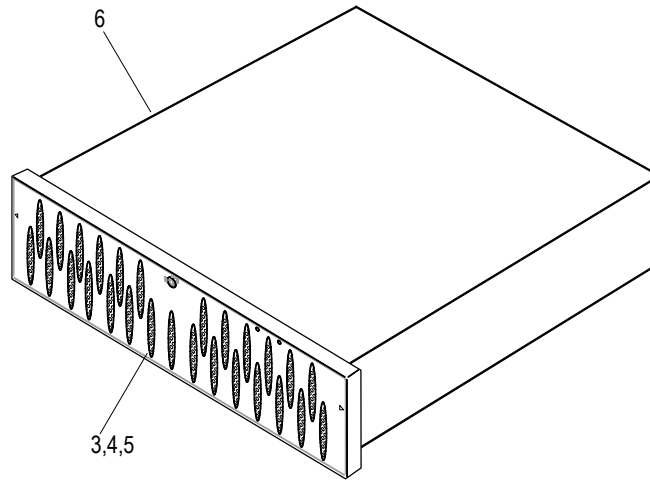
No. 1-8 DF800-RKHED/DF800-RKHE2D/DF800-RKEHD/DF800-RKEH2D



No.1-8 RKHED/RKHED2/RKEHD/RKEH2D (3)

No.	PART NUMBER	NAME OF PART	UNIT PER ASSY	REMARK
1-8-		DF800-RKHED/DF800-RKHE2D/DF800-RKEHD/DF800-RKEH2D		
21	3282061-A	• POWER UNIT	2	SP
22				
23	3282030-A	• CONTROL UNIT (RKHE)	2	
24	3282006-A	• CONTROL UNIT (RKHE) (2G bytes CACHE UNIT)	2	SP
25	3282006-B	• CONTROL UNIT (RKHE) (4G bytes CACHE UNIT)	2	SP
26	3282249-B	• CONTROL UNIT (RKEH)	2	SP
27				
28	3276123-A	•• FC INTERFACE BOARD (DF-F800-DKF44)	2 to 4	
29	3282085-A	•• FC INTERFACE BOARD (DF-F800-DKF84)	2 to 4	
30	3276278-B	•• iSCSI INTERFACE BOARD (DF-F800-DKS12)	2 to 4	
31	3276337-A	Host Connector (4 G bps)	8 to 16	SP
32	3276337-B	Host Connector (8 G bps)	8 to 16	SP
33	3276125-A	•• CACHE UNIT (1 G bytes) (DF-F800-C1GK)	4 to 8	
34	3276125-B	•• CACHE UNIT (2 G bytes) (DF-F800-C2GK)	4 to 8	
35	3276125-J	•• CACHE UNIT (4 G bytes) (DF-F800-C4GK)	4 to 8	
36				

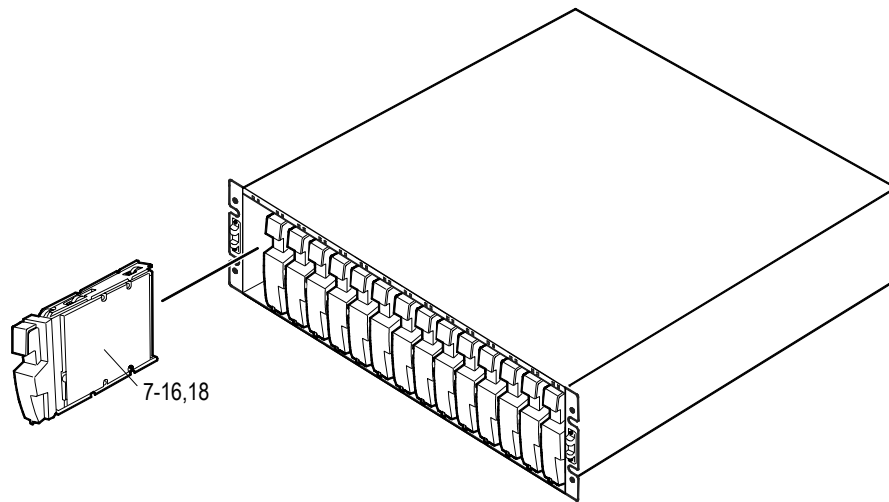
**No. 1-9** DF-F800-RKAK



**No.1-9** RKAK (1)

No.	PART NUMBER	NAME OF PART	UNIT PER ASSY	REMARK
1-9-		DF-F800-RKAK		
1				
2				
3	3276156-B	• FRONT BEZEL (UBKA)	1	SP
4	3276156-H	• FRONT BEZEL (UBKNULA)	1	SP
5	3282107-B	• FRONT BEZEL (UBKBDSA)	1	SP
6	3282175-A	• EXCHANGE CHASSIS	1	SP

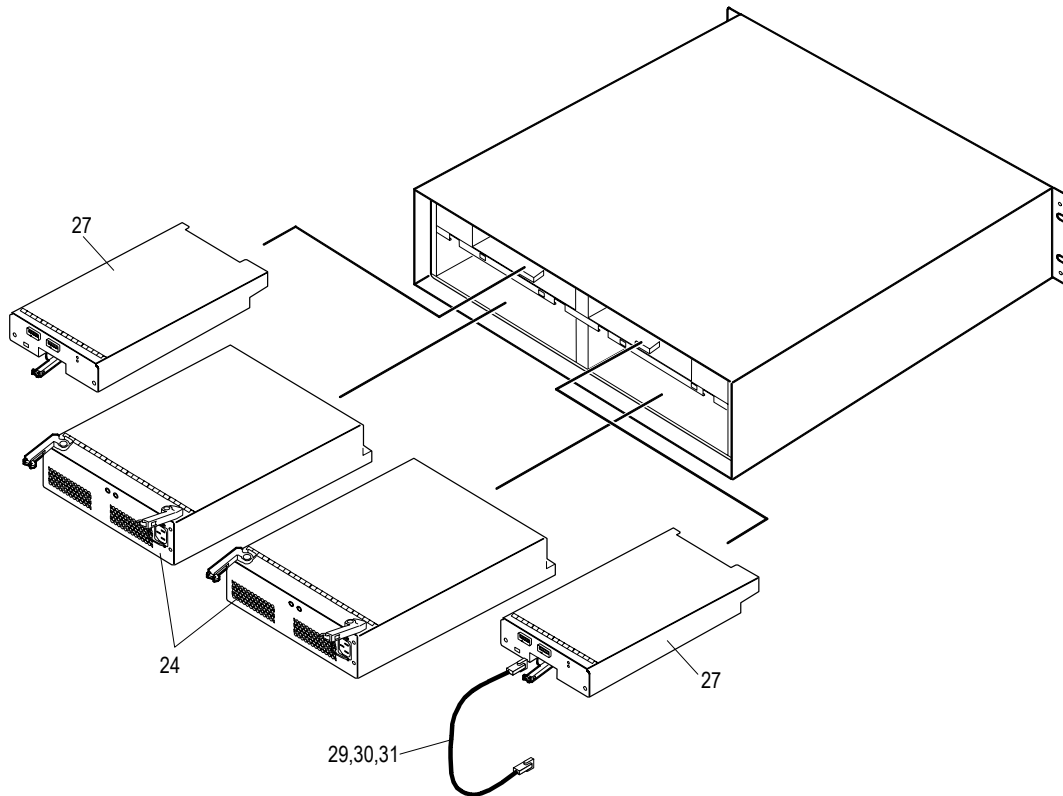
No. 1-9 DF-F800-RKAK



No.1-9 RKAK (2)

No.	PART NUMBER	NAME OF PART	UNIT PER ASSY	REMARK
1-9		DF-F800-RKAK		
7	3276138-A	CANISTER UNIT (142.61 Gbyte) (DF-F800-AKH146)	2 to 15	SP, OP
8	3276138-B	CANISTER UNIT (287.62 Gbyte) (DF-F800-AKH300)	2 to 15	SP, OP
9	3276308-A	CANISTER UNIT (392.73 Gbyte) (DF-F800-AKF400)	2 to 15	SP, OP
10	3276138-C	CANISTER UNIT (439.44 Gbyte) (DF-F800-AKH450)	2 to 15	SP, OP
11	3276138-D	CANISTER UNIT (575.30 Gbyte) (DF-F800-AKH600)	2 to 15	SP, OP
12	3276139-A	CANISTER UNIT (491.25 Gbyte) (DF-F800-AVE500)	2 to 15	SP, OP
13	3276139-B	CANISTER UNIT (737.49 Gbyte) (DF-F800-AVE750)	2 to 15	SP, OP
14	3276139-C	CANISTER UNIT (983.69 Gbyte) (DF-F800-AVE1K)	2 to 15	SP, OP
15	3276139-D	CANISTER UNIT (1,968.52 Gbyte) (DF-F800-AVE2K)	2 to 15	SP, OP
16	3282195-B	CANISTER UNIT (195.82 Gbyte) (DF-F800-AKS200)	2 to 15	SP, OP
17				
18		• DUMMY (DISK DRIVE)	0 to 13	
19				
20				

No. 1-9 DF-F800-RKAK

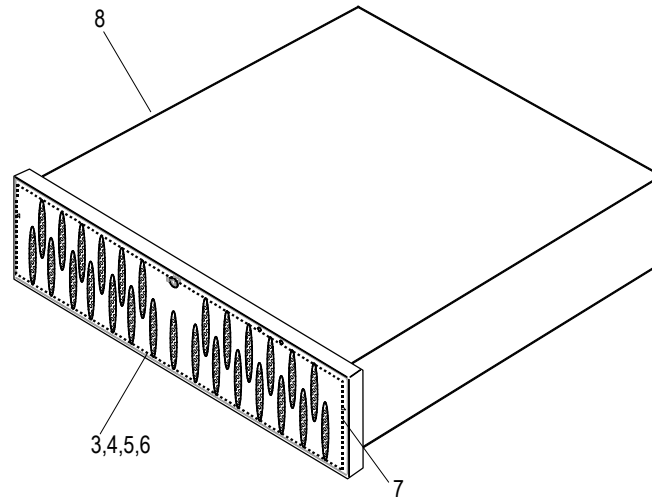


No.1-9 RKAK (3)

No.	PART NUMBER	NAME OF PART	UNIT PER ASSY	REMARK
1-9-		DF-F800-RKAK		
21				
22				
23				
24	3276081-A	• POWER UNIT (RKAK)	2	SP
25				
26				
27	3276159-A	• ENC UNIT	2	SP
28				
29	3276137-A	• ENC CABLE (1 m)	2	SP
30	3276151-A	• ENC CABLE (5 m) (DF-F800-K5BS) (*1)	2	OP
31	3276151-B	• ENC CABLE (3 m) (DF-F800-K3BS) (*1)	2	OP
32				
33				
34				
35				

\*1 : The ENC cable is manufactured by Hitachi, Ltd. It cannot be used for other products.

No. 1-10 DF-F800-RKAKD

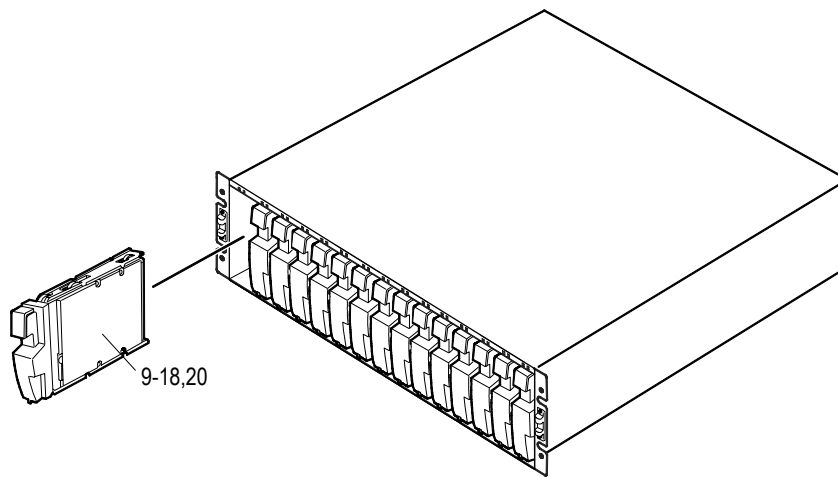


No.1-10 RKAkd (1)

No.	PART NUMBER	NAME OF PART	UNIT PER ASSY	REMARK
1-10		DF-F800-RKAKD		
1				
2				
3	3276156-B	• FRONT BEZEL (UBKA)	1	SP
4	3276156-H	• FRONT BEZEL (UBKNULA)	1	SP
5	3282107-B	• FRONT BEZEL (UBKBDSA)	1	SP
6	3282058-B	• FRONT BEZEL (UBKAD)	1	SP
7	3282136-B	• AIR FILTER (UBKAD)	1	SP
8	3282175-A	• EXCHANGE CHASSIS	1	SP



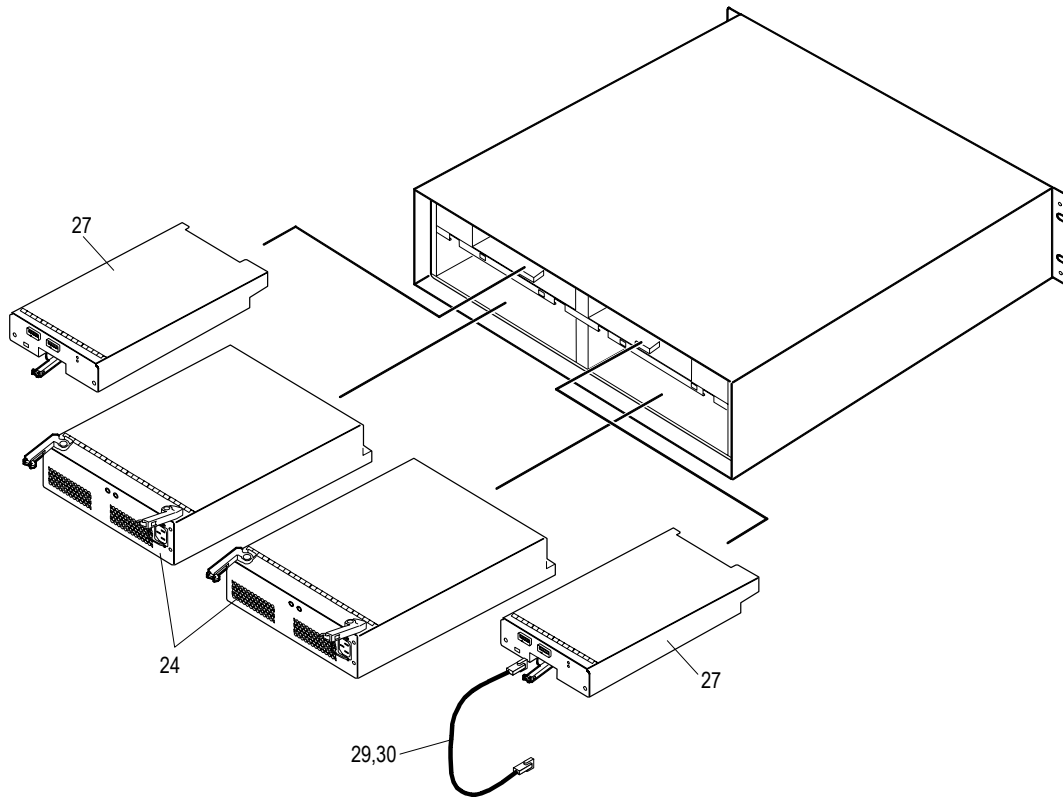
No. 1-10 DF-F800-RKAKD



No.1-10 RKAKD (2)

No.	PART NUMBER	NAME OF PART	UNIT PER ASSY	REMARK
1-10-		DF-F800-RKAKD		
9	3276138-A	CANISTER UNIT (142.61 Gbyte) (DF-F800-AKH146)	2 to 15	SP, OP
10	3276138-B	CANISTER UNIT (287.62 Gbyte) (DF-F800-AKH300)	2 to 15	SP, OP
11	3276308-A	CANISTER UNIT (392.73 Gbyte) (DF-F800-AKF400)	2 to 15	SP, OP
12	3276138-C	CANISTER UNIT (439.44 Gbyte) (DF-F800-AKH450)	2 to 15	SP, OP
13	3276138-D	CANISTER UNIT (575.30 Gbyte) (DF-F800-AKH600)	2 to 15	SP, OP
14	3276139-A	CANISTER UNIT (491.25 Gbyte) (DF-F800-AVE500)	2 to 15	SP, OP
15	3276139-B	CANISTER UNIT (737.49 Gbyte) (DF-F800-AVE750)	2 to 15	SP, OP
16	3276139-C	CANISTER UNIT (983.69 Gbyte) (DF-F800-AVE1K)	2 to 15	SP, OP
17	3276139-D	CANISTER UNIT (1,968.52 Gbyte) (DF-F800-AVE2K)	2 to 15	SP, OP
18	3282195-B	CANISTER UNIT (195.82 Gbyte) (DF-F800-AKS200)	2 to 15	SP, OP
19				
20		• DUMMY (DISK DRIVE)	0 to 13	

No. 1-10 DF-F800-RKAKD

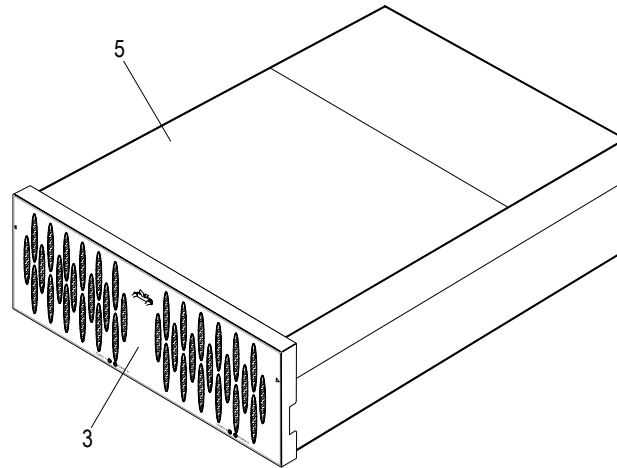


No.1-10 RKAKD (3)

No.	PART NUMBER	NAME OF PART	UNIT PER ASSY	REMARK
1-10		DF-F800-RKAKD		
21				
22				
23				
24	3282076-A	• POWER UNIT (RKAKD)	2	SP
25				
26				
27	3276159-A	• ENC UNIT	2	SP
28				
29	3276137-A	• ENC CABLE (1 m)	2	SP
30	3276151-A	• ENC CABLE (5 m) (DF-F800-K5BS) (*1)	2	OP
31				
32				
33				
34				
35				

\*1 : The ENC cable is manufactured by Hitachi, Ltd. It cannot be used for other products.

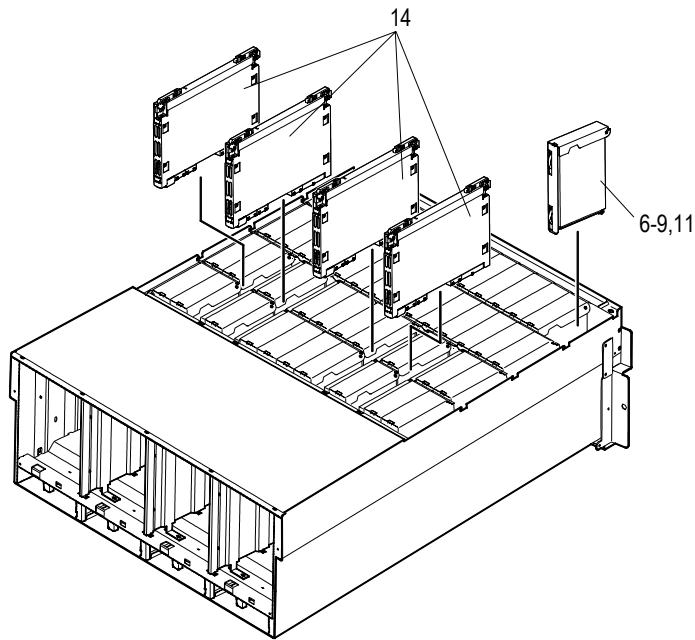
**No. 1-11** DF-F800-RKAKX



**No.1-11** RKAKX (1)

No.	PART NUMBER	NAME OF PART	UNIT PER ASSY	REMARK
1-11		DF-F800-RKAKX		
1				
2				
3	3282121-A	• FRONT BEZEL (UBKA)	1	SP
4				
5	3282176-A	• EXCHANGE CHASSIS	1	SP

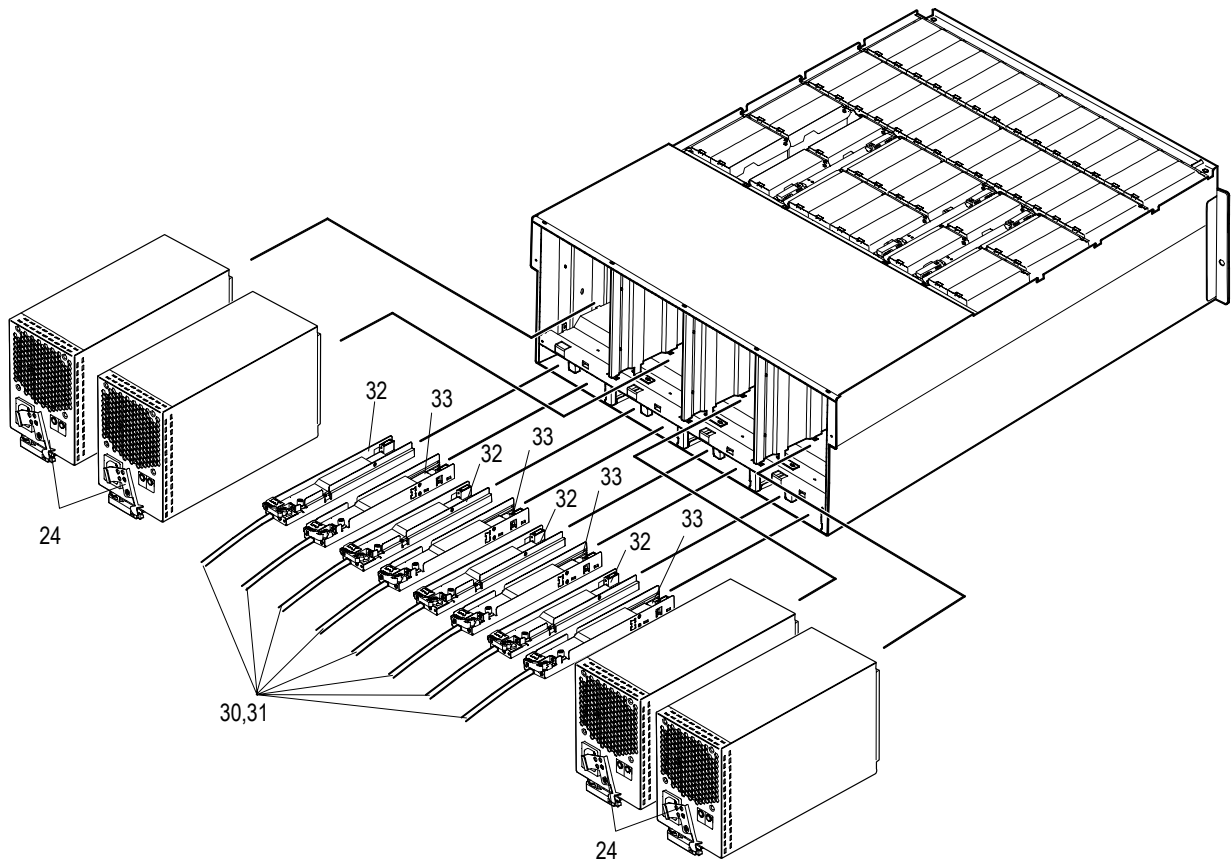
No. 1-11 DF-F800-RKAKX



No.1-11 RKAKX (2)

No.	PART NUMBER	NAME OF PART	UNIT PER ASSY	REMARK
1-11-		DF-F800-RKAKX		
6	3282265-A	CANISTER UNIT (439.44 Gbyte) (DF-F800-AKH450X)	2 to 38	SP, OP
7	3282265-B	CANISTER UNIT (575.30 Gbyte) (DF-F800-AKH600X)	2 to 38	SP, OP
8	3282101-A	CANISTER UNIT (983.69 Gbyte) (DF-F800-AVE1KX)	2 to 48	SP, OP
9	3282101-D	CANISTER UNIT (1,968.52 Gbyte) (DF-F800-AVE2KX)	2 to 48	SP, OP
10				
11		• DUMMY (DISK DRIVE)	0 to 46	
12				
13				
14	3282103-A	• ENC UNIT	4	SP
15				
16				
17				
18				
19				
20				

No. 1-11 DF-F800-RKAKX

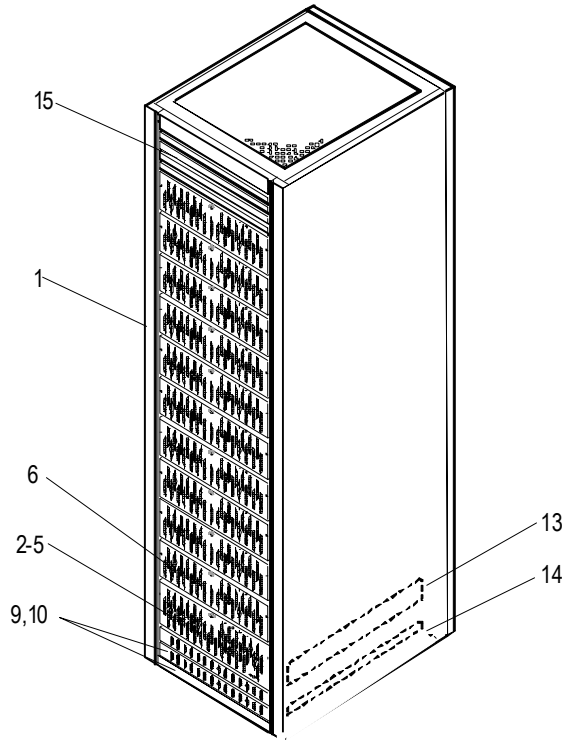


No.1-11 RKAKX (3)

No.	PART NUMBER	NAME OF PART	UNIT PER ASSY	REMARK
1-11		DF-F800-RKAKX		
21				
22				
23				
24	3282102-A	• POWER UNIT (RKAKX)	4	SP
25				
26				
27				
28				
29				
30	3276151-A	• ENC CABLE (5 m) (DF-F800-K5BS) (*1)	4	OP
31	3276151-B	• ENC CABLE (3 m) (DF-F800-K3BS) (*1)	4	OP
32	3282125-A	• Cable Holder (IN)	4	SP
33	3282125-B	• Cable Holder (OUT)	4	SP
34				
35				

\*1 : The ENC cable is manufactured by Hitachi, Ltd. It cannot be used for other products.

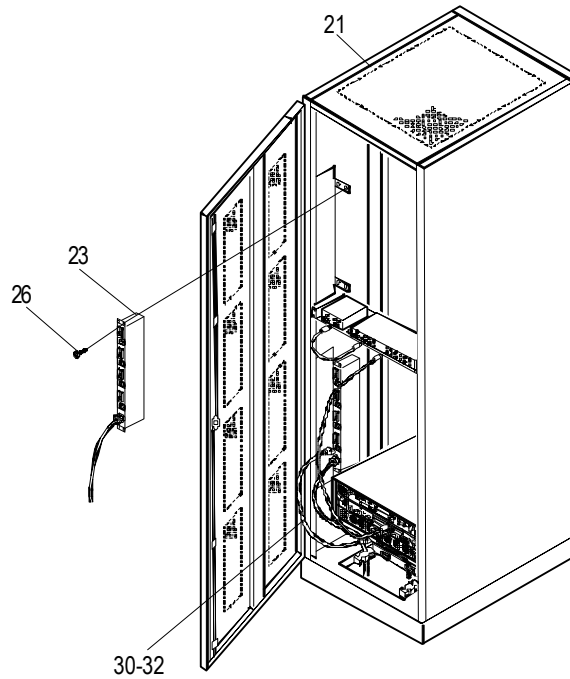
No. 2-1 Rackmount Model with RK40 Rack Frame



No.2-1 Rackmount Model with RK40 Rack Frame (1)

No.	PART NUMBER	NAME OF PART	UNIT PER ASSY	REMARK
2-1-		A-6516-RK40 (RK40 RACK FRAME)		
1		A-6516-RK40	1	OP
2		DF800-RKM	1 to 6	Catalog No.1-1
3		DF800-RKS	1 to 9	Catalog No.1-3
4				
5		DF800-RKH/RKH2/RKHE/RKHE2	1 to 5	Catalog No.1-7
6		DF-F800-RKAK	0 to 9	Catalog No.1-9
7				
8				
9	3276126-A	ADDITIONAL BATTERY BOX (DF-F800-N1RK)	1-2	SP, OP
10	3276126-B	ADDITIONAL BATTERY BOX (DF-F800-N1RKD)	1-2	SP, OP
11				
12				
13	3272202-A	RAIL KIT (DF-F800-URHT8)	1-10	OP
14	3274777-A	RAIL KIT (DF-F800-URHTN8)	0-2	OP
15	3274544-A	DECORATION PANEL (A-F6516-U71D) (1U)	0 to 34	OP
16				
17				
18				
19				
20				

No. 2-1 Rackmount Model With RK40 Rack Frame



No.2-1 Rackmount Model with RK40 Rack Frame (2)

No.	PART NUMBER	NAME OF PART	UNIT PER ASSY	REMARK
2-1-		A-6516-RK40 (RK40 RACK FRAME)		
21		A-6516-RK40	1	
22				
23	3276098-A	• PDB	4	SP
24				
25				
26		• HEXAGON SOCKET BOLT (M5x8)	16	
27				
28				
29				
30	3272181-A	AC Cable (J2H)	1	OP
31	3272181-B	AC Cable (J2H5)	1	OP
32	3272181-C	AC Cable (J2H10)	1	OP
33				
34				
35				
36				
37				
38				
39				
40				

