

Ferrule; Sleeve for 0.25 mm² / AWG 24; insulated; electro-tin plated

Item No.: 216-301



Ferrule; Sleeve for 0.25 mm² / AWG 24; insulated; electro-tin plated

Marking

RoHS ✓
Compliant

Business data

Supplier	WAGO
Item no.	216-301
GTIN / EAN	4017332277396
Content	1
Order amount	1,000
Customer item number	

Notes

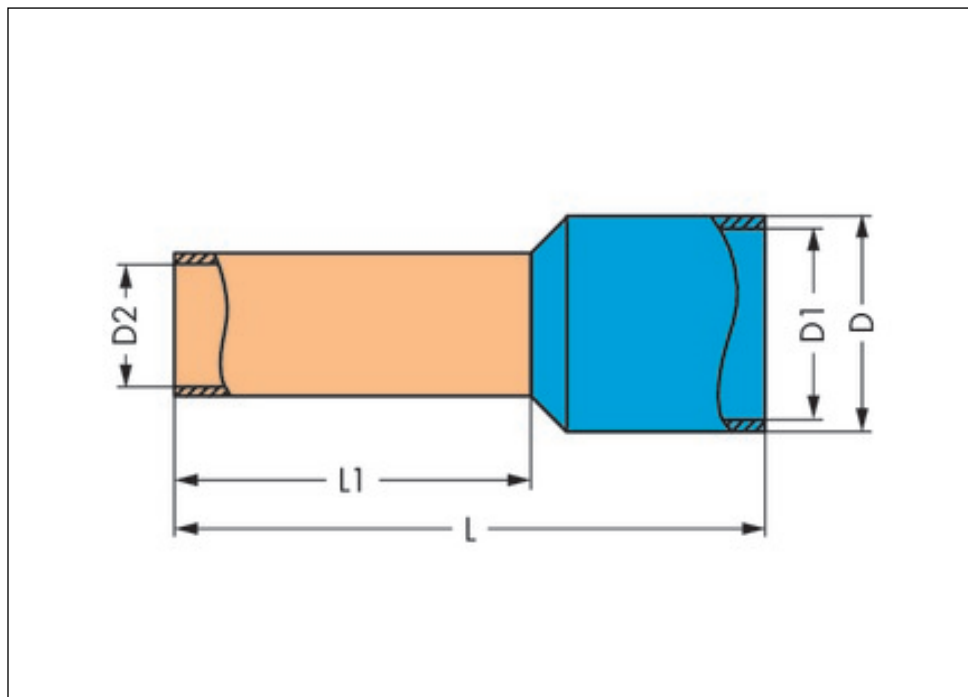
Technical data

Miscellaneous

Color	yellow
Strip length	9 mm / 0.35 in
Fire load [MJ]	0.001 [MJ]
Weight [g]	0.051 [g]
Diameter [mm]	2.5 [mm]
Diameter 1 [mm]	2 [mm]
Diameter 2 [mm]	0.8 [mm]
Length [mm]	12.5 [mm]
Length 1 [mm]	8 [mm]

Images & drawings





Address

WAGO Kontakttechnik GmbH & Co. KG

Hansastr. 27

32423 Minden

Telefon: 0571/887-0

Fax: 0571/887-169

<http://www.wago.com>

© WAGO Kontakttechnik GmbH & Co. KG

Technische Änderungen und Irrtümer vorbehalten.