

Male connector

Item No.: 231-603



Male connector

Marking

RoHS ✓
Compliant

Business data

Supplier	WAGO
Item no.	231-603
GTIN / EAN	4044918256605
Content	1
Order amount	100
Customer item number	

Notes

Item description: Universal connection for all conductor types
Easy cable pre-assembly and on-unit wiring via vertical and horizontal CAGE CLAMP® actuation
For "wire-to-wire" and "board-to-wire" connections
Coding option available

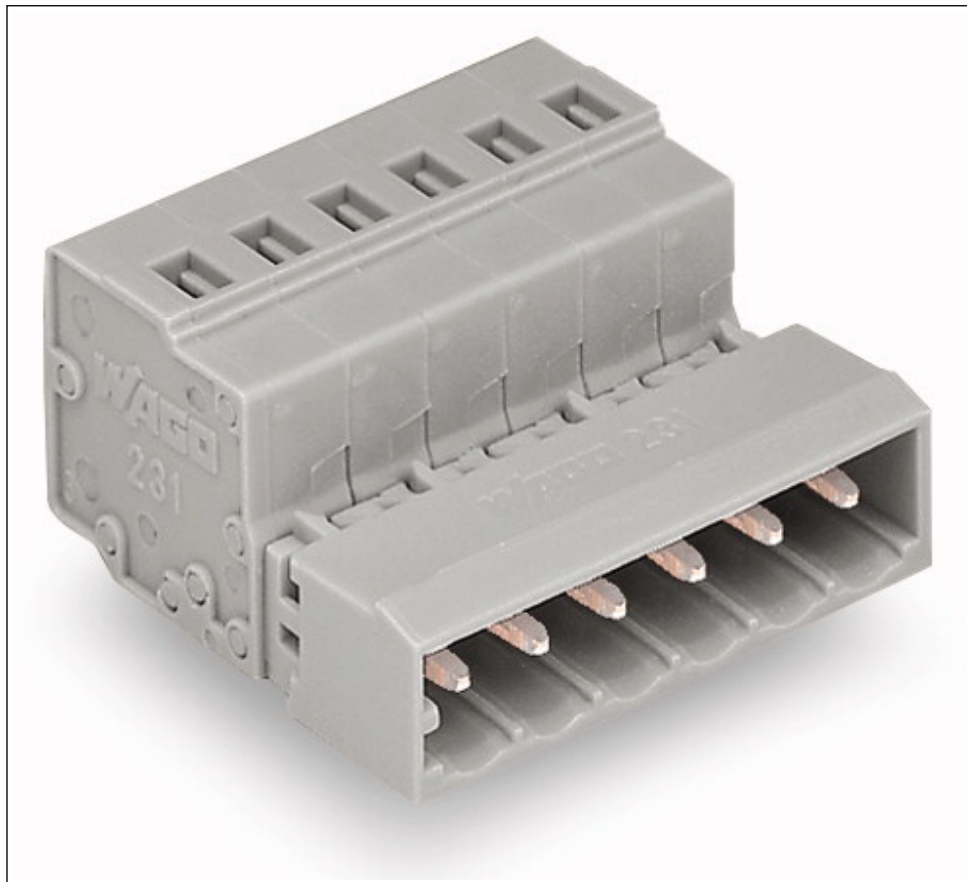
Technical data

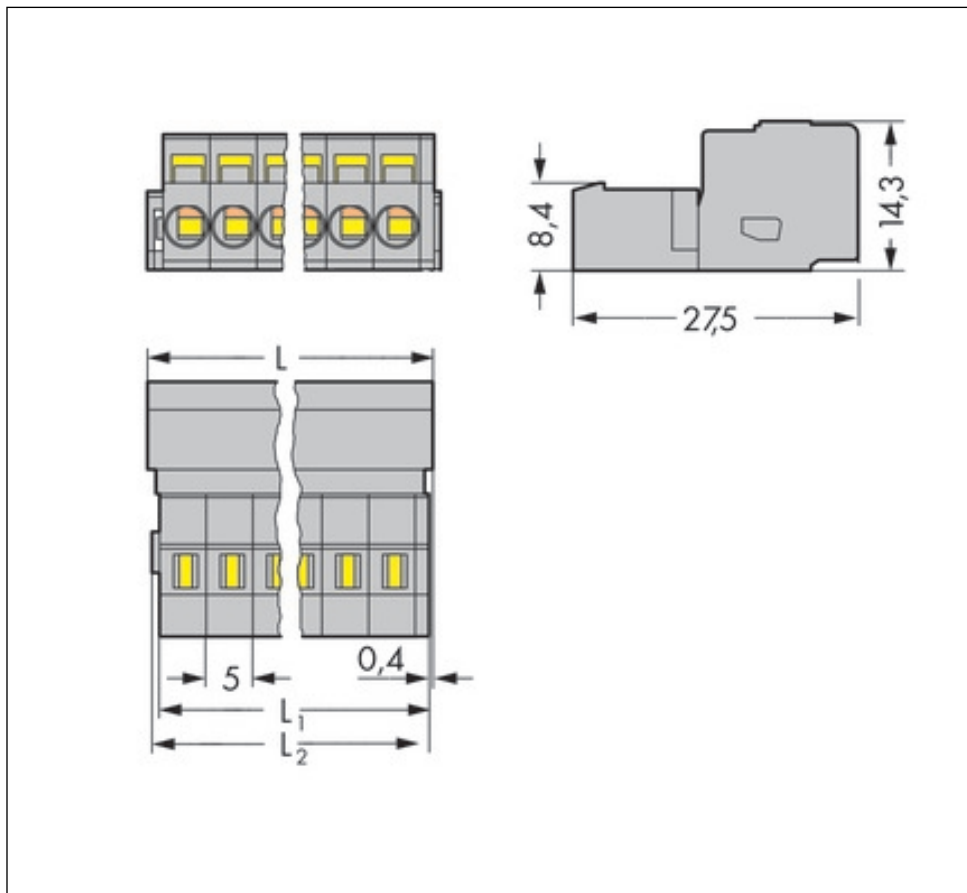
Miscellaneous

No. of poles	3
Pin spacing	5 mm (0.197 in)
Total number of connection points	3
Total number of potentials	3
Color	gray
Ratings according to 1	IEC/EN 60664-1
Rated voltage (III / 3) [V]	320 [V]
Rated surge voltage (III / 3) [kV]	4 [kV]

Technical data	
<i>Rated voltage (III / 2) [V]</i>	320 [V]
<i>Rated surge voltage (III / 2) [kV]</i>	4 [kV]
<i>Rated voltage (II / 2) [V]</i>	630 [V]
<i>Rated surge voltage (II / 2) [kV]</i>	4 [kV]
<i>Nominal current [A]</i>	12 [A]
<i>Number of individual connection objects at the product</i>	1
<i>Number of levels</i>	1
<i>Connection technology</i>	CAGE CLAMP®
<i>Number of connection points</i>	1
<i>Actuation type</i>	Betätigungswerkzeug
<i>Solid sizes</i>	0.08 ... 2.5 mm ² / 28 ... 12 AWG
<i>Fine-stranded wires</i>	0.08 ... 2.5 mm ² / 28 ... 12 AWG
<i>Fine-stranded wires with insulated ferrule</i>	0.25 ... 1.5 mm ² / ...
<i>Fine-stranded wires with uninsulated ferrule</i>	0.25 ... 2.5 mm ² / ...
<i>Strip length</i>	8 ... 9 mm / 0.31 ... 0.35 in
<i>Material group</i>	I
<i>Insulating material</i>	Polyamide 66 (PA 66)
<i>Flammability rating per UL 94</i>	V0
<i>Limit temperature range</i>	-60 ... 100 C
<i>Clamping spring material</i>	Chrome-nickel spring steel (CrNi)
<i>Contact material</i>	Electrolytic copper (Ecu)
<i>Contact plating</i>	tin-plated
<i>Fire load [MJ]</i>	0.089 [MJ]
<i>Weight [g]</i>	4.82 [g]
<i>Width</i>	18.2 mm / 0.717 in
<i>Height</i>	14.3 mm / 0.563 in
<i>Length</i>	27.5 mm / 1.083 in

Images & drawings





Address

WAGO Kontakttechnik GmbH & Co. KG

Hansastr. 27

32423 Minden

Telefon: 0571/887-0

Fax: 0571/887-169

<http://www.wago.com>

© WAGO Kontakttechnik GmbH & Co. KG

Technische Änderungen und Irrtümer vorbehalten.