

**Cliff Electronic Components Ltd.**

76 Holmethorpe Avenue, Holmethorpe Industrial Estate,  
Redhill, Surrey, RH1 2PF, England, UK  
Tel: 01737-771375 Fax: 01737-766012 Website: www.cliffuk.co.uk

# PART NUMBER: OD66272

## NEEDLE NOSE PLIERS BS/300/PNL

### Pliers and nippers - General technical requirements

#### Handgrip

The handle are shaped to have a comfortable and firm grip; they are in plastic.

#### Hinge

The hinge is made to open and close the tool easily; it has not an excessive lateral play that could damage the functional of the tool.

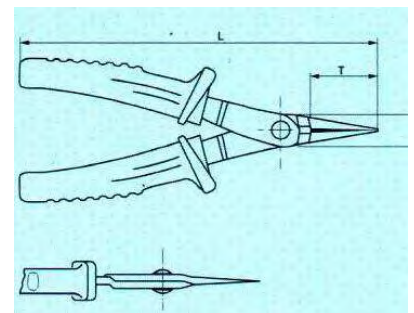
#### Beaks

The beaks of the nipper can join together.  
The hardness of the steel is 55 HRC.

#### Finishing of the tool

The tools are without flash or sharp border so it can be used with safety; they are subject to a treatment of burnishing to assure a superficial protection.

### Data sheet mod. 300/PNL



#### Description

Long needle nose pliers, jaws internally smoothed by grinding

L	139
T	16
B	14