

# Watertight - Deep Lid



**MC001285**

**ABS, Watertight - Deep Lid**



**MC001286**

**ABS Watertight - Deep Lid**



**MC001287**

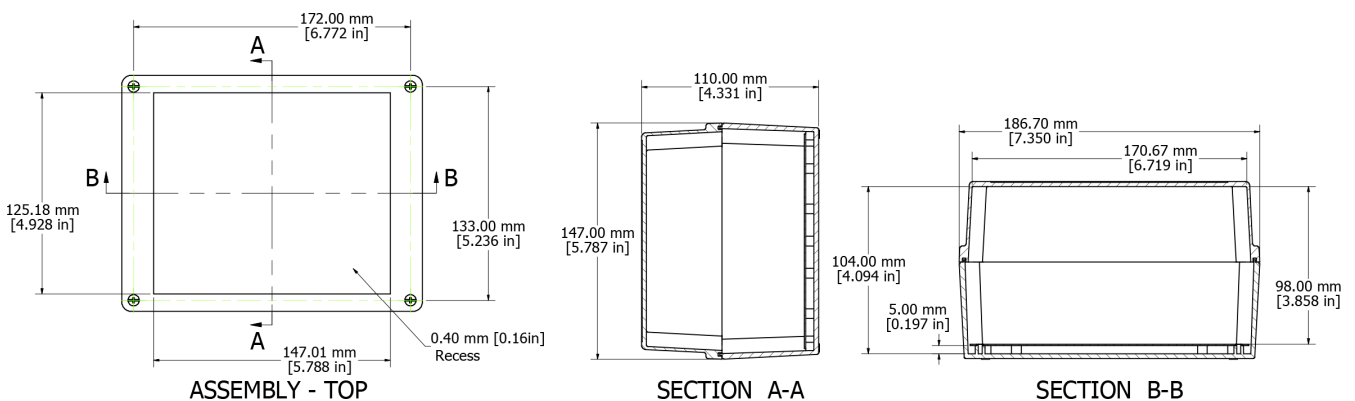
**ABS with Clear Lid  
Watertight - Deep Lid**

## Features:

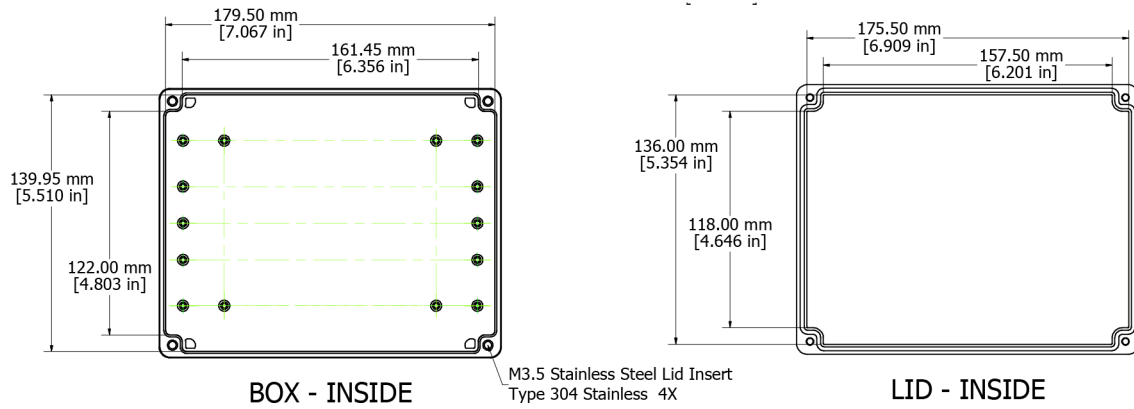
- Ideally suited for mounting printed circuit boards or components requiring a deep enclosure
- General purpose ABS plastic or Polycarbonate
- ABS Plastic colour is a light grey with a light texture
- Gasket lid with two piece “tongue & groove” construction provides protection against access of oil, dust and water
- Rubber gasket is included and must be field installed.
- Lid includes smooth recessed area for membrane, label or silk screen
- Lid is secured with self captivated - M3.5 stainless steel machine screws (included), threaded into integral stainless steel bushings (for repetitive assembly & disassembly). All stainless steel hardware to avoid corrosion caused by dissimilar metals
- Lid screws are self captivated (lid holes are threaded with the first installation of lid screws)

## Contains:

- Lid Screws: M3.5 × 10, 304 Stainless
- Gasket : EDPM Cord
- Circuit Board Screws, 4 Supplied (M3 self tap)
- Suggested Lid Screw Torque: 30 oz f-in (21 cN-m)



# Watertight - Deep Lid



## Part Number Table

Description	Part Number
ABS, Watertight - Deep Lid	MC001285
ABS, Watertight - Deep Lid	MC001286
ABS with Clear Lid, Watertight - Deep Lid	MC001287

**Important Notice :** This data sheet and its contents (the "Information") belong to the members of the Premier Farnell group of companies (the "Group") or are licensed to it. No licence is granted for the use of it other than for information purposes in connection with the products to which it relates. No licence of any intellectual property rights is granted. The Information is subject to change without notice and replaces all data sheets previously supplied. The Information supplied is believed to be accurate but the Group assumes no responsibility for its accuracy or completeness, any error in or omission from it or for any use made of it. Users of this data sheet should check for themselves the Information and the suitability of the products for their purpose and not make any assumptions based on information included or omitted. Liability for loss or damage resulting from any reliance on the Information or use of it (including liability resulting from negligence or where the Group was aware of the possibility of such loss or damage arising) is excluded. This will not operate to limit or restrict the Group's liability for death or personal injury resulting from its negligence. Multicomp is the registered trademark of the Group. © Premier Farnell plc 2012.

