

**PLEASE CHECK WWW.MOLEX.COM FOR LATEST PART INFORMATION**

**Part Number:** **0743204000**

**Status:** **Active**

**Overview:** [MicroCross™ DVI Connectors and Cable Assemblies](#)

**Description:** MicroCross™ DVI-D Digital Visual Interface, PCB Receptacle, Panel Mount, Polyester (PCT), Through Hole, 2.34mm PC Tail Length, Right Angle, 0.76µm Gold (Au), Lead-Free, Screw Hole, 24 Circuits

**Documents:**

[Drawing \(PDF\)](#)

[Product Specification PS-74320-001 \(PDF\)](#)

[Packaging Specification PK-74320-010 \(PDF\)](#)

[Test Summary TS-74320-001 \(PDF\)](#)

[RoHS Certificate of Compliance \(PDF\)](#)

**Agency Certification**

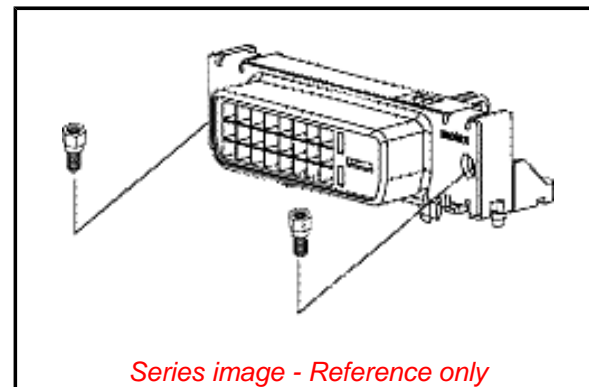
UL E29179

**General**

Product Family I/O Connectors  
 Series [74320](#)  
 Application Wire-to-Board  
 Comments DDWG (Digital Display Working Group) Standard  
 Component Type Receptacle  
 Electrical Model Yes  
 MolexKits Yes  
 Overview [MicroCross™ DVI Connectors and Cable Assemblies](#)  
 Product Name MicroCross™DVI  
 Type N/A  
 UPC 800754009980

**Physical**

Boot Color N/A  
 Circuits (Loaded) 24  
 Circuits (maximum) 24  
 Color - Resin Natural  
 Durability (mating cycles max) 100  
 Flammability 94V-0  
 Gender Receptacle  
 Keying to Mating Part Yes  
 Lock to Mating Part Yes  
 Material - Metal Copper Alloy  
 Material - Plating Mating Gold  
 Material - Plating Termination Tin  
 Net Weight 6.630/g  
 Number of Rows 3  
 Orientation Right Angle  
 PC Tail Length 2.34mm  
 PCB Locator Yes  
 PCB Retention Yes  
 Packaging Type Tray  
 Panel Mount Yes  
 Pitch - Mating Interface 1.90mm  
 Pitch - Termination Interface 1.90mm  
 Plating min - Mating 0.762µm  
 Plating min - Termination 2.540µm  
 Polarized to Mating Part Yes  
 Polarized to PCB Yes  
 Ports 1  
 Surface Mount Compatible (SMC) No



**EU ELV**

**Not Relevant**

**EU RoHS**

**Compliant**

**REACH SVHC**

Not Contained Per  
 -ED/79/2015 (17  
 December 2015)

**Halogen-Free**

**Status**

**Not Low-Halogen**

**Need more information on product environmental compliance?**

Email [productcompliance@molex.com](mailto:productcompliance@molex.com)  
 Please visit the [Contact Us](#) section for any non-product compliance questions.

China ROHS

ELV

Green Image

Not Relevant

**Search Parts in this Series**

[74320](#) Series

**Mates With**

88744 , 74323

**Use With**

Hex Screw Kit [71781-1000](#) or [71781-2000](#)

Temperature Range - Operating	-20°C to +85°C
Termination Interface: Style	Through Hole
Waterproof / Dustproof	No
Wire Size AWG	N/A

**Electrical**

Current - Maximum per Contact	3.0A
Grounding to Panel	Yes
Shield Type	Full Shield
Shielded	Yes
Voltage - Maximum	40V AC (RMS)

**Solder Process Data**

Duration at Max. Process Temperature (seconds)	010
Lead-free Process Capability	WAVE
Max. Cycles at Max. Process Temperature	001
Process Temperature max. C	260

**Material Info****Reference - Drawing Numbers**

Electrical Model Document	EE-74320-001
Packaging Specification	PK-74320-010
Product Specification	PS-74320-001
S-Parameter Model	SP-74320-001
Sales Drawing	SD-74320-003
Test Summary	TS-74320-001

This document was generated on 06/10/2016

**PLEASE CHECK [WWW.MOLEX.COM](http://WWW.MOLEX.COM) FOR LATEST PART INFORMATION**