

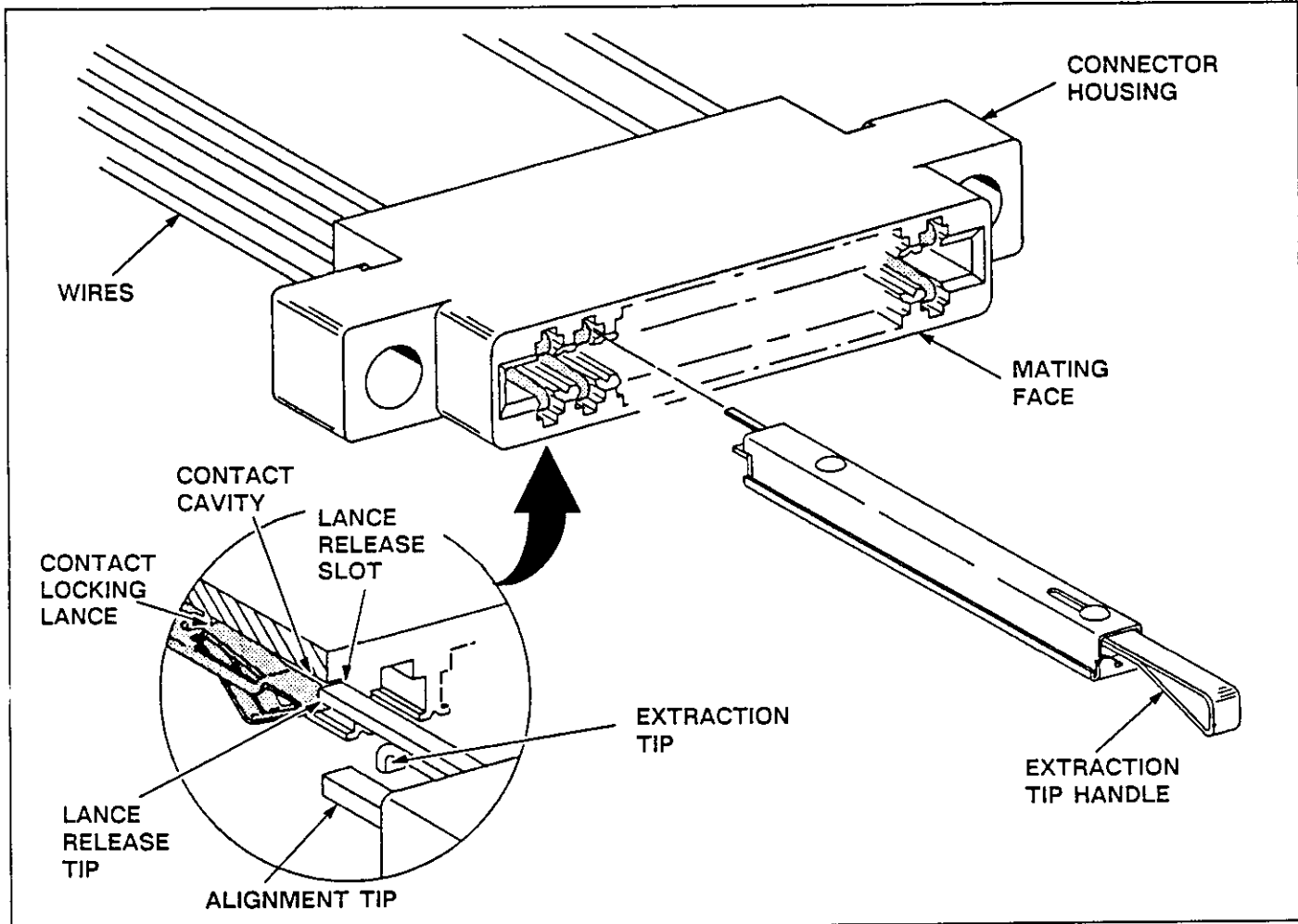
AMPAMP INCORPORATED
HARRISBURG, PA 17105AMP-LEAF*
EXTRACTION TOOLS
WITH BASE PART NUMBER 465195**IS 7045**CUSTOMER HOTLINE
1 800 722-1111RELEASED
12-3-91

Fig. 1

91-538

1. INTRODUCTION

This Instruction Sheet (IS) covers the use of the AMP-LEAF Extraction Tools 465195-1, -2 and -4, which extract AMP-LEAF contacts from the connector housings listed in Figure 3. Read these instructions carefully before extracting any contacts.

NOTE

All dimensions on this document are in metric units [with U. S. customary units in brackets].

2. DESCRIPTION (Figure 1)

The extraction tool consists of a lance release tip for depressing the contact locking lance, an alignment tip for positioning the tool in the connector housing, and an

extraction tip for pushing the contact from the connector housing.

3. CONTACT EXTRACTION

Refer to Figure 1 and proceed as follows:

1. Select the contact to be removed. Look straight into FRONT (mating face) of connector and note the lance release slot.
2. Insert extraction tool into front of connector with lance release tip entering lance release slot and alignment tip entering contact cavity.
3. Push lance release tip in until locking lance is released from slot.

CAUTION

Do not pry or twist tool when inserting into connector. Damage to the tool or connector could result.

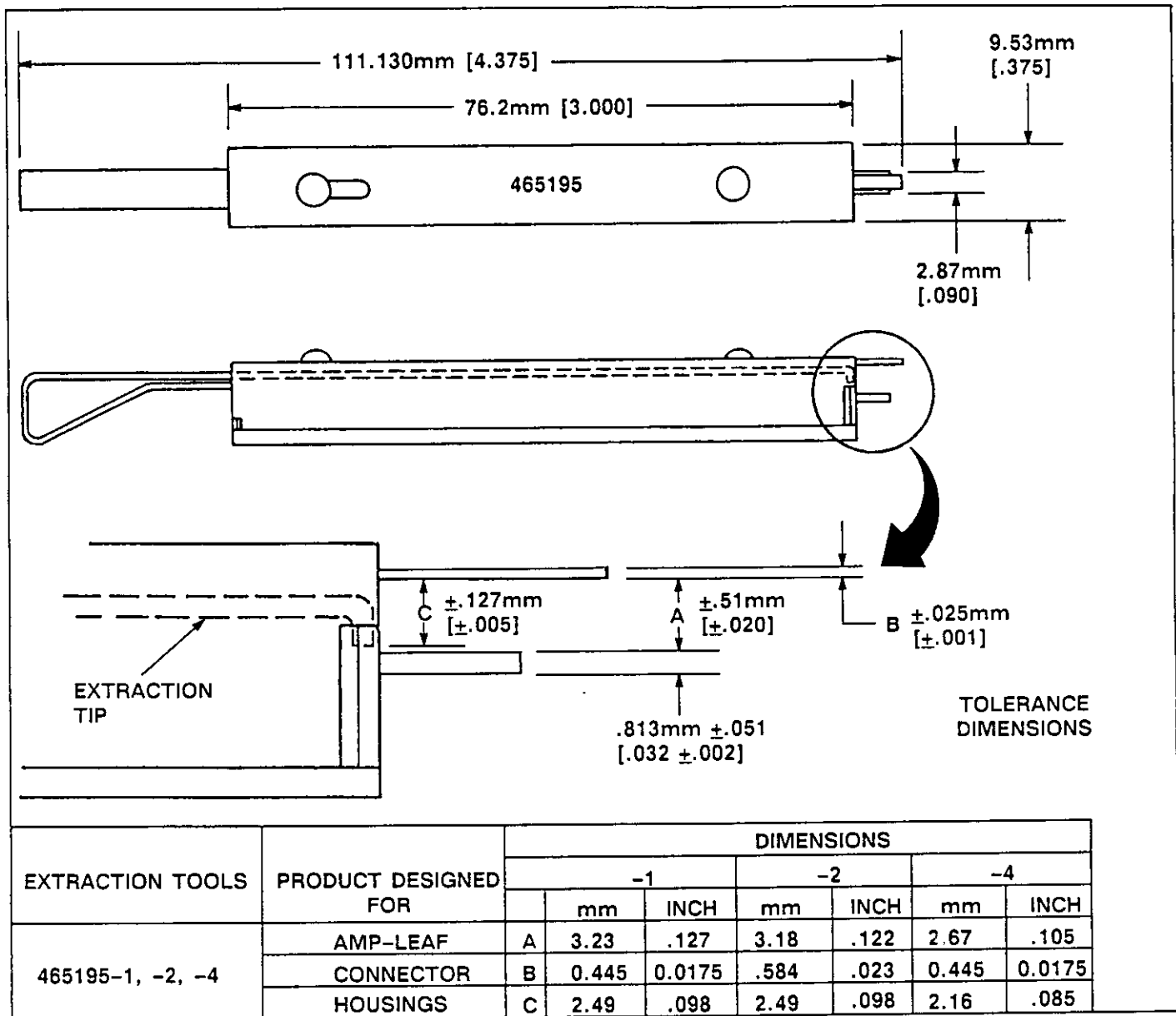


Fig. 2

91-539

4. Maintaining pressure on release tip, push extraction tip handle forward to push the contact out the back of connector.

5. Remove extraction tool and pull contact from back of connector.

4. TOOL INSPECTION

The AMP extraction tools listed on this sheet should be inspected with the information provided in Figure 2. We recommend that you inspect the tool immediately upon arrival in your factory, and at regularly scheduled intervals, to ensure that the tool has not been damaged. The tool is not repairable and should be replaced when worn or damaged. It is recommended that the tool be stored in a clean, dry place and cleaned with a soft, lint-free cloth.

Additional tools can be purchased from:

CUSTOMER SERVICE (38-35)
 AMP INCORPORATED
 P. O. BOX 3608
 HARRISBURG, PA 17105-3608

TOOL NO.	CONNECTOR HOUSING	TOOL NO.	CONNECTOR HOUSING
465195-1	480110 582535 583280 583553-1	465195-1	583722-1 583725-1 583950
	480142 582536 583399-1, -3 583637-1		583723-1 583726-1 583952-1
	582140 582627 583449-1 583662-1		583724-1 583742-1 583963
	582147 582825 583463-1 583680-1		583964-1
	582264 583963 583512-1 583685-1	465195-2	480133 583360-1 583716-1
	582358 583167 583552-1, -3 583695-1		480146 583428-1 583731-1
	582500		582191 583663-1
	465195-4	583977 583983	
		(Recommended by contact only).	

Fig. 3