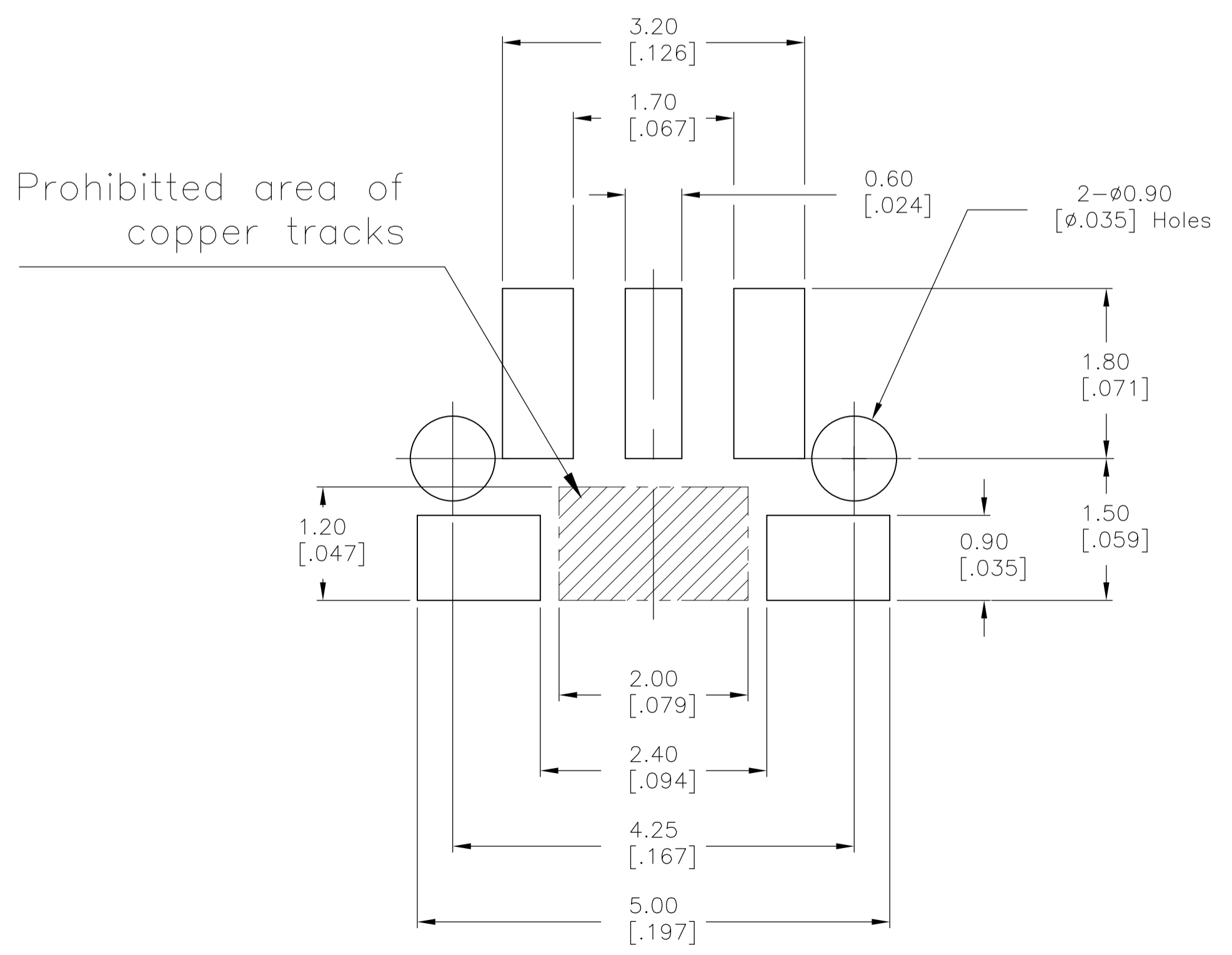
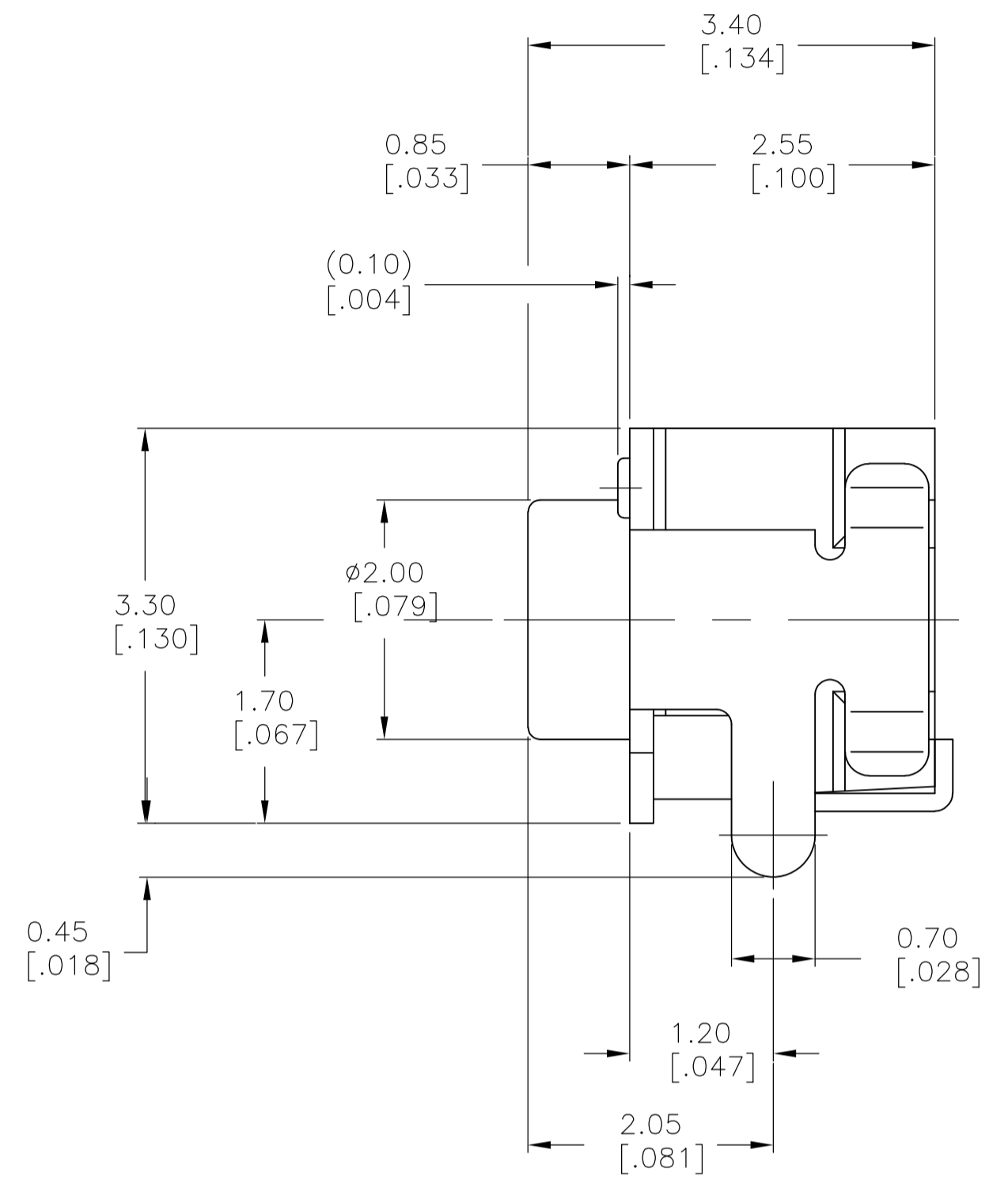
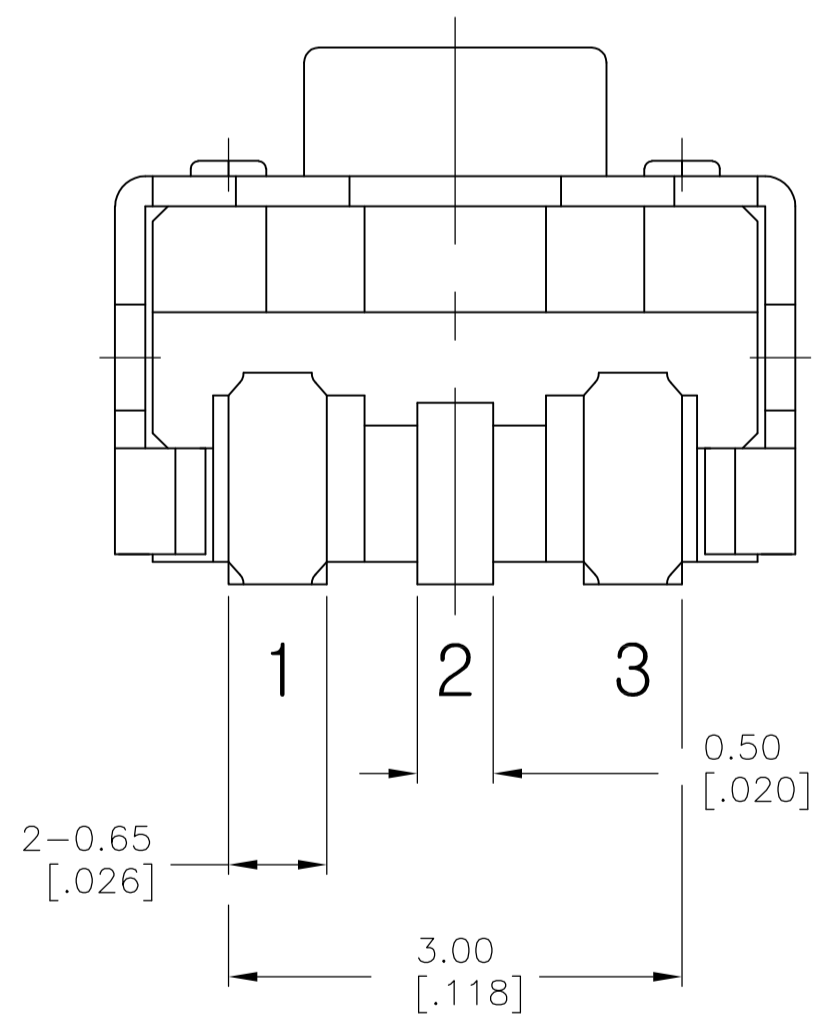
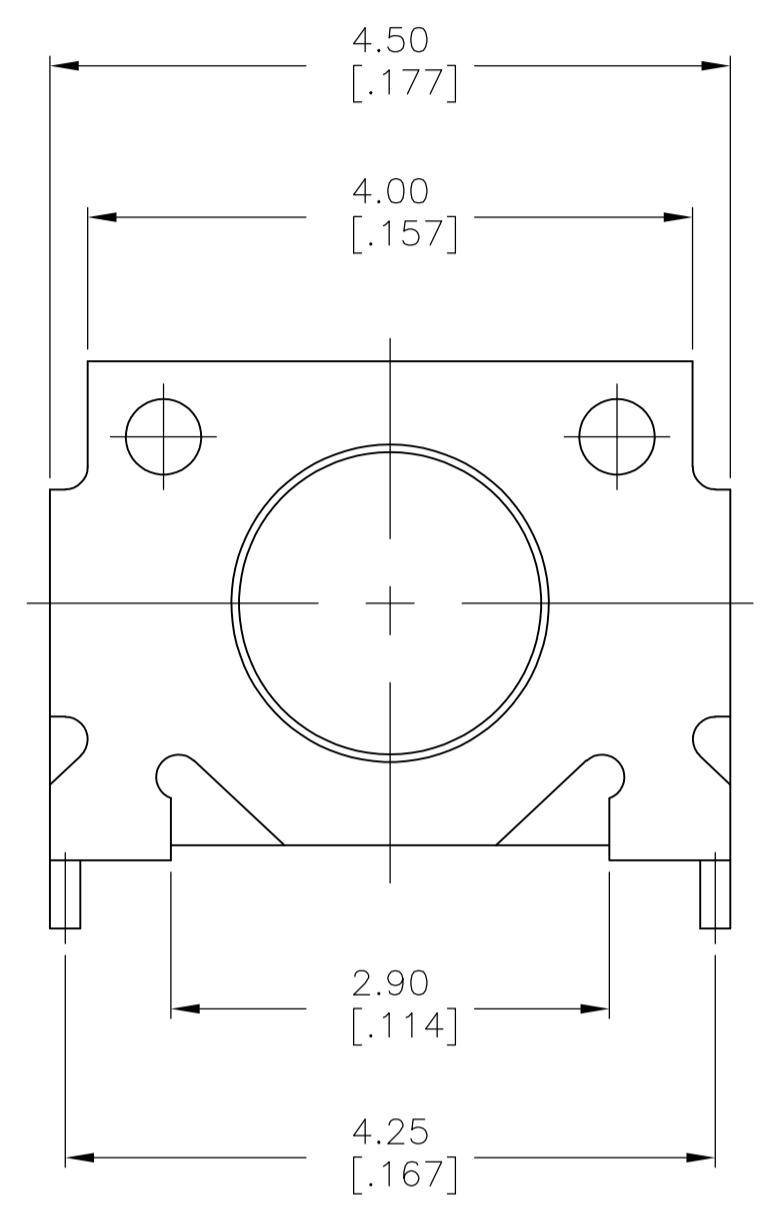
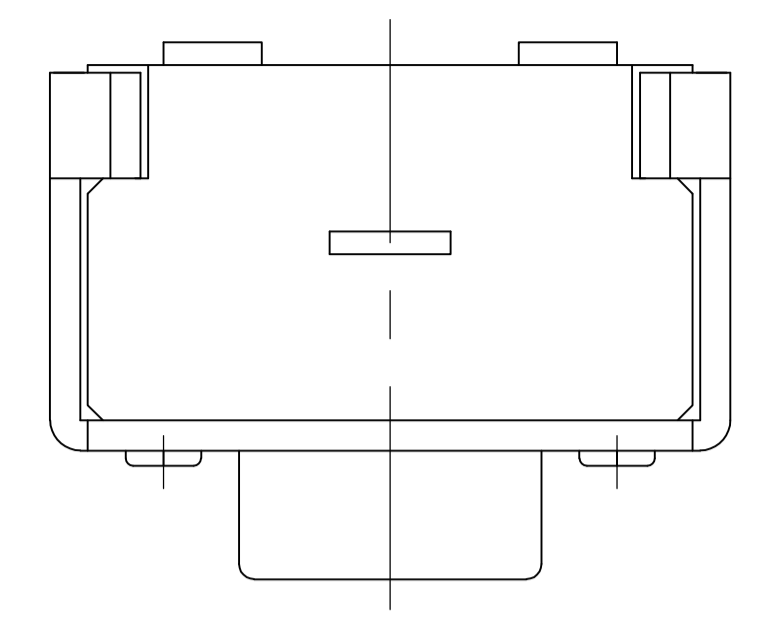


REVISES		DATE	BY	APPV
NO	DESCRIPTION			
1	ECO-13-015852	15OCT2013	KH	RH



P.C.B MOUNTING SOLDER LAND DIMENSION

SPECIFICATIONS:

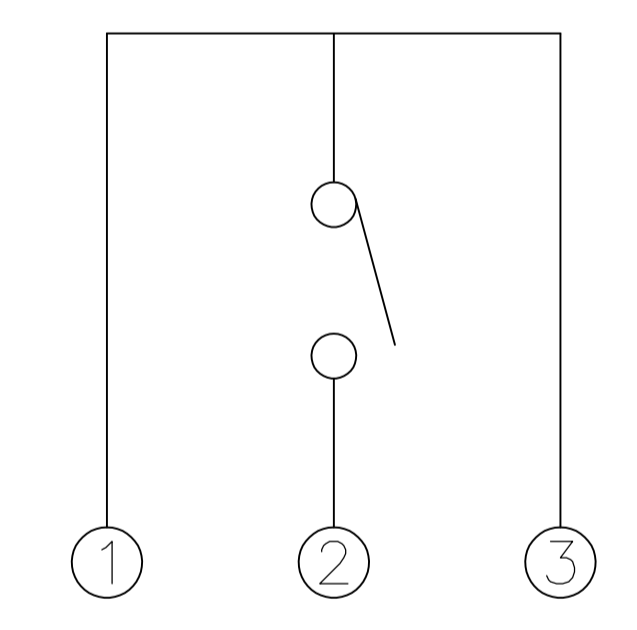
MATERIALS: CASE, PPA UL94V-0, BLACK FINISH
 ACTUATOR, PPA UL94HB, IVORY FINISH
 BRACKET, STEEL, TIN FINISH
 MOVING CONTACT, STAINLESS STEEL, SILVER FINISH
 FIXED CONTACT/TERMINAL, COPPER ALLOY, SILVER OVER NICKEL FINISH

ELECTRICAL:
 MAX CONTACT RATING, 50MA@ 12VDC
 MIN CONTACT RATING, 10MICROAMP@1V DC
 INITIAL CONTACT RESISTANCE, 500 MILLIOHMS MAX
 INSULATION RESISTANCE, 100 MEGOHM MIN
 DIELECTRIC STRENGTH, 500 V AC FOR 1 MINUTE
 CONTACT BOUNCE, LESS THAN 10 MILLISECOND
 LIFE EXPECTANCY, 100,000 CYCLES

MECHANICAL:
 ACTUATION FORCE, 160 +/-50GF
 ACTUATION TRAVEL, .20 +/- .10 MM
 LIFE EXPECTANCY, 100,000 CYCLES MIN

ENVIRONMENTAL:
 OPERATING TEMPERATURE, -35 TO +85 DEGREES C
 STORAGE TEMPERATURE, -35 TO +85 DEGREES C
 THERMAL SHOCK, PER EIA-364-32C, -35 TO +85 DEGREES C
 SOLDERABILITY, PER EIA-364-52, CLASS 2, CATEGORY 1, TEMP, 245 DEGREES C MAX, TIME, 2.5 SECONDS
 MAX, 95% MINIMUM COVERAGE
 RESISTANCE TO SOLDER HEAT, PER 109-201, CONDITION B
 1. NO CHANGE IN INITIAL ELECTRICAL AND MECHANICAL CHARACTERISTICS

1 ALL MATERIALS AND FINISHES SHALL COMPLY WITH EU DIRECTIVE 2002/95/EC OF 27JAN2003 (ROHS)



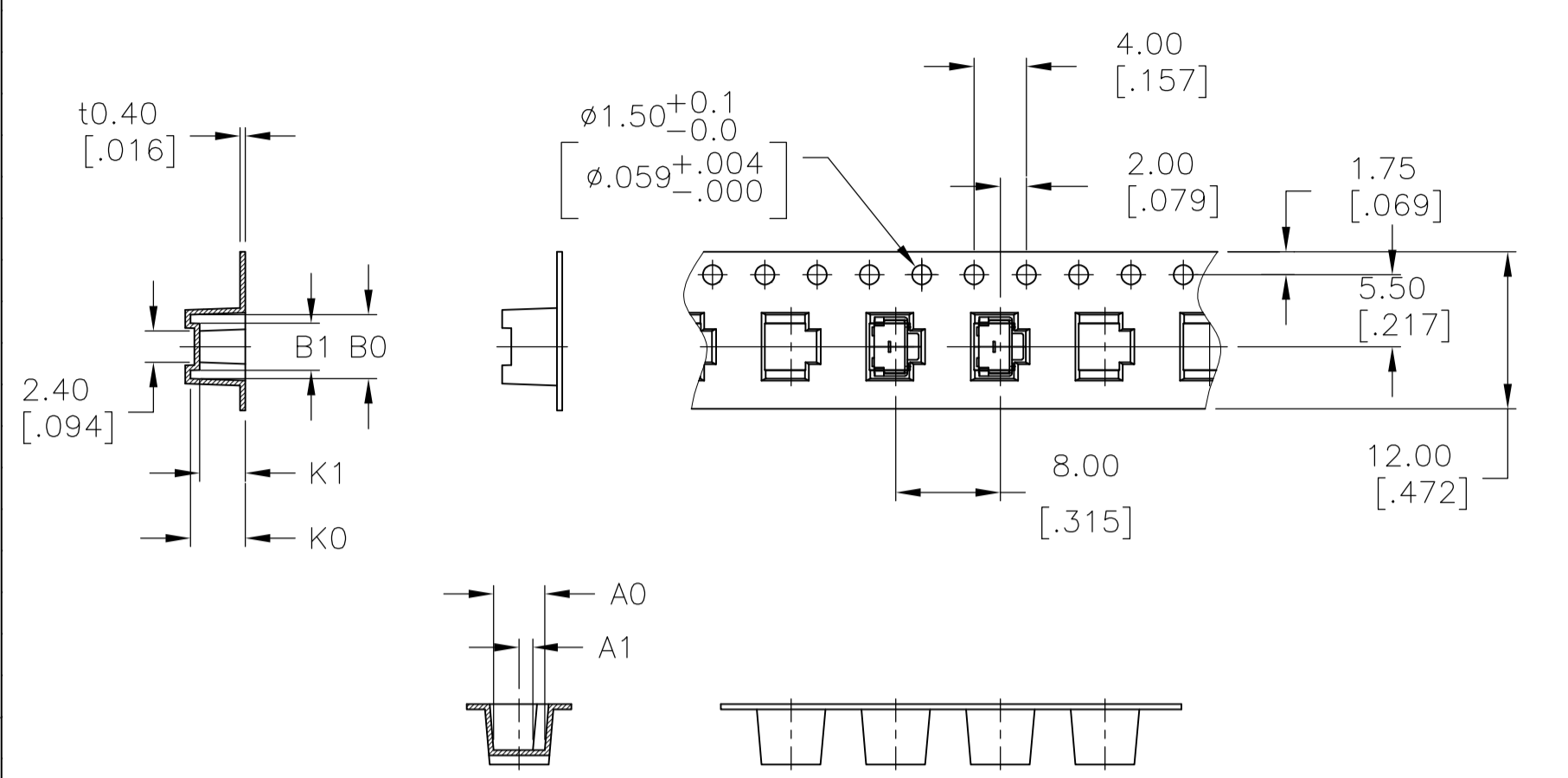
CIRCUIT DIAGRAM

1977066-1
 PART NUMBER

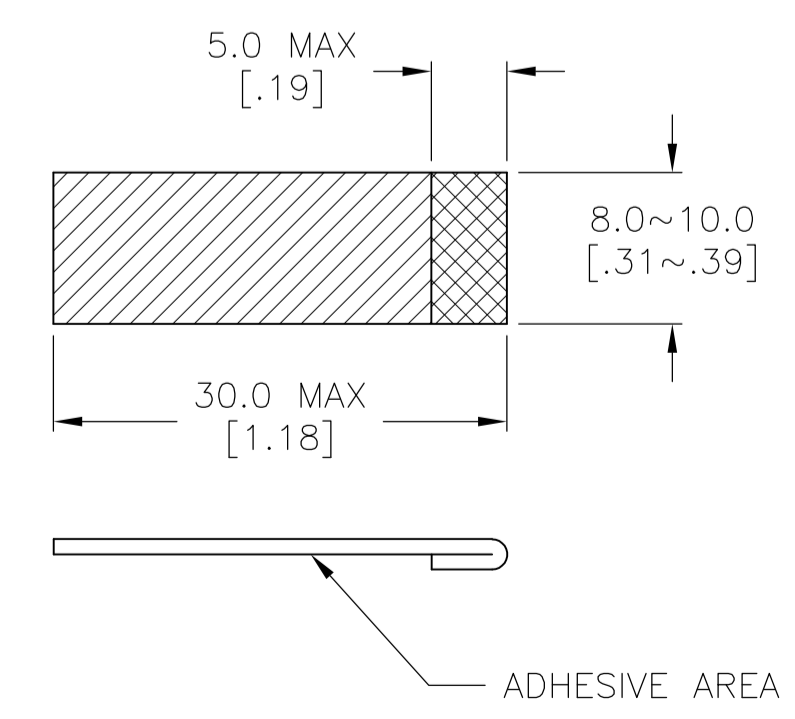
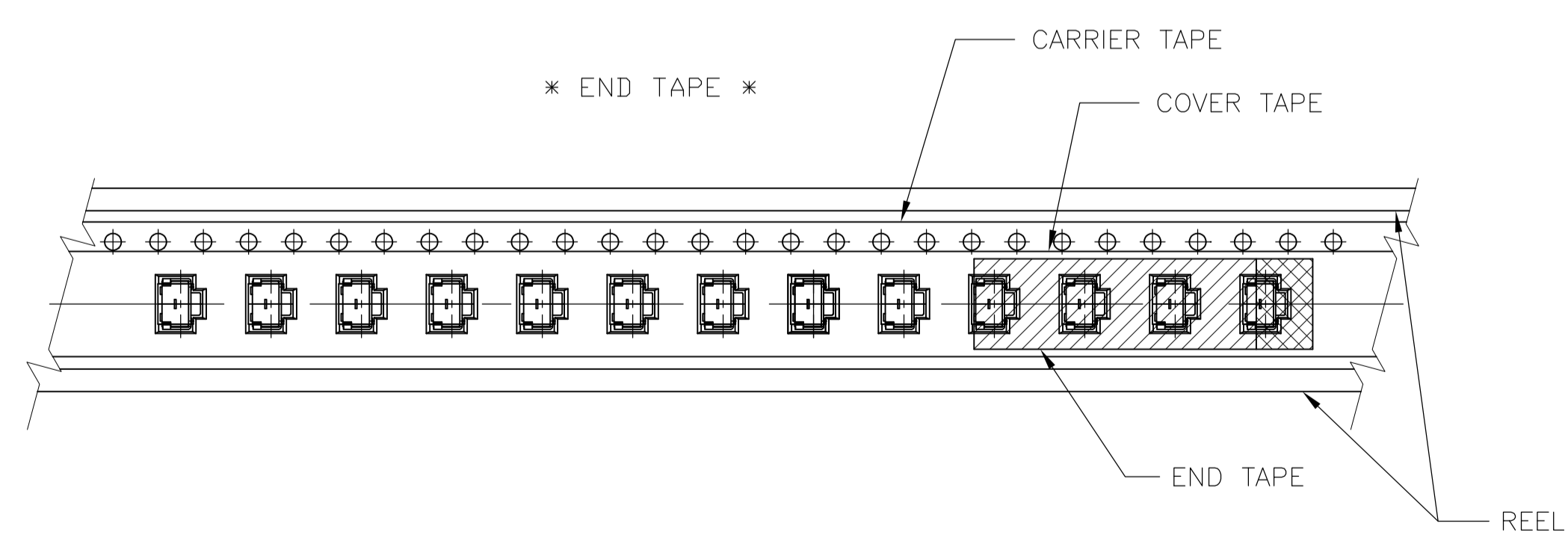
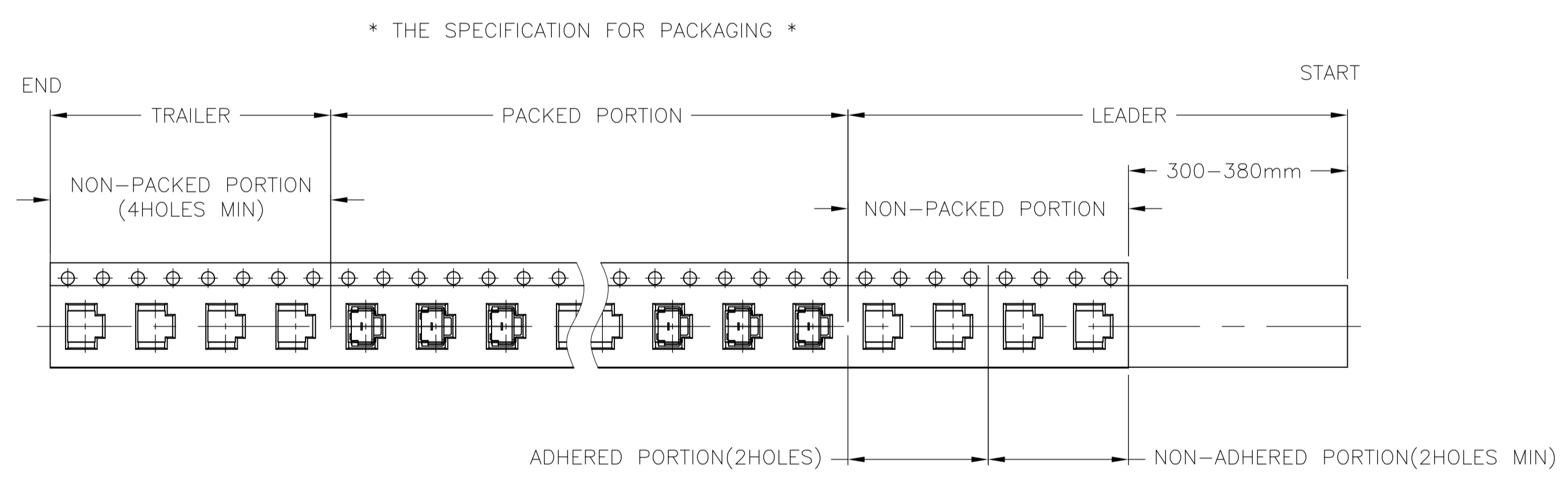
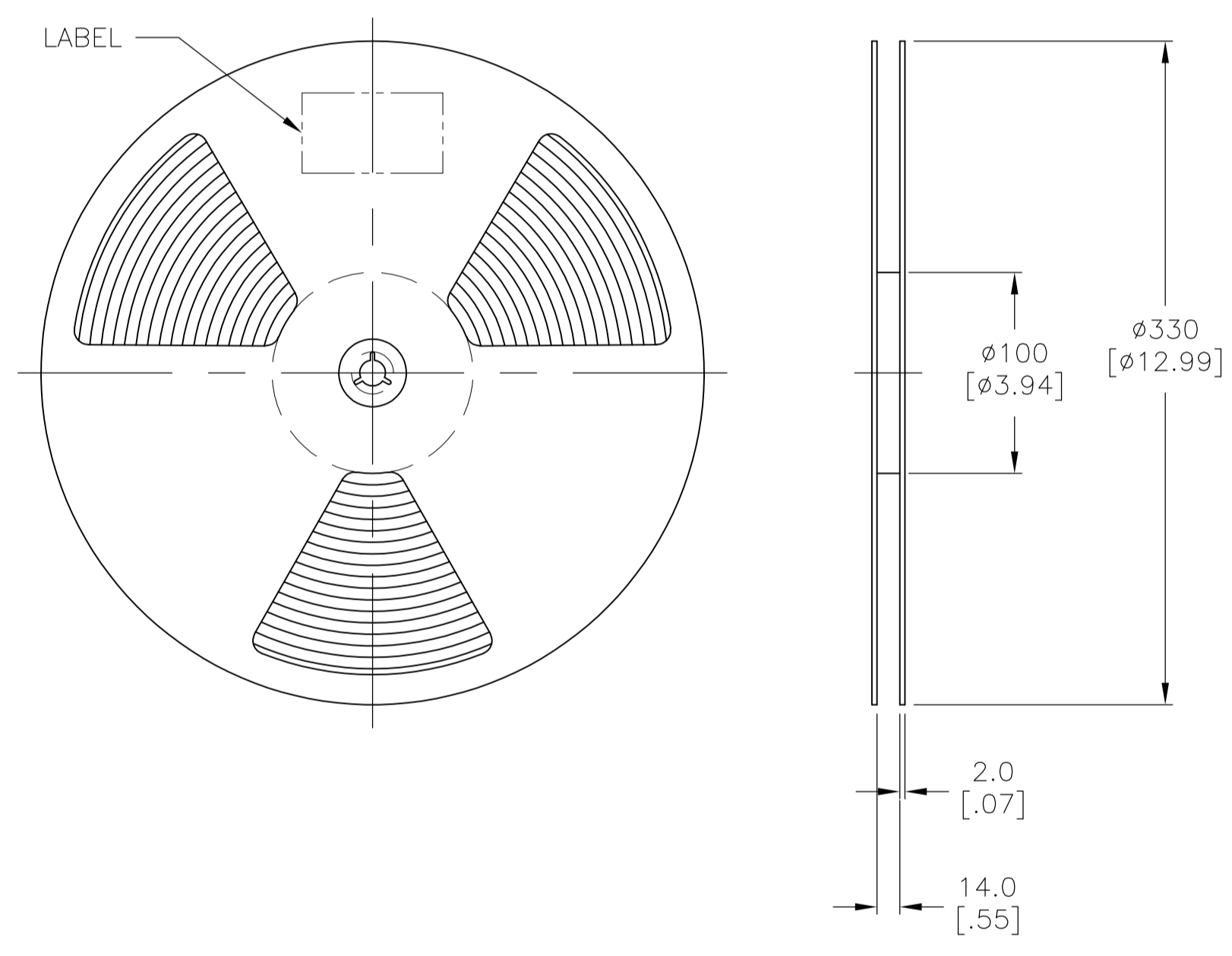
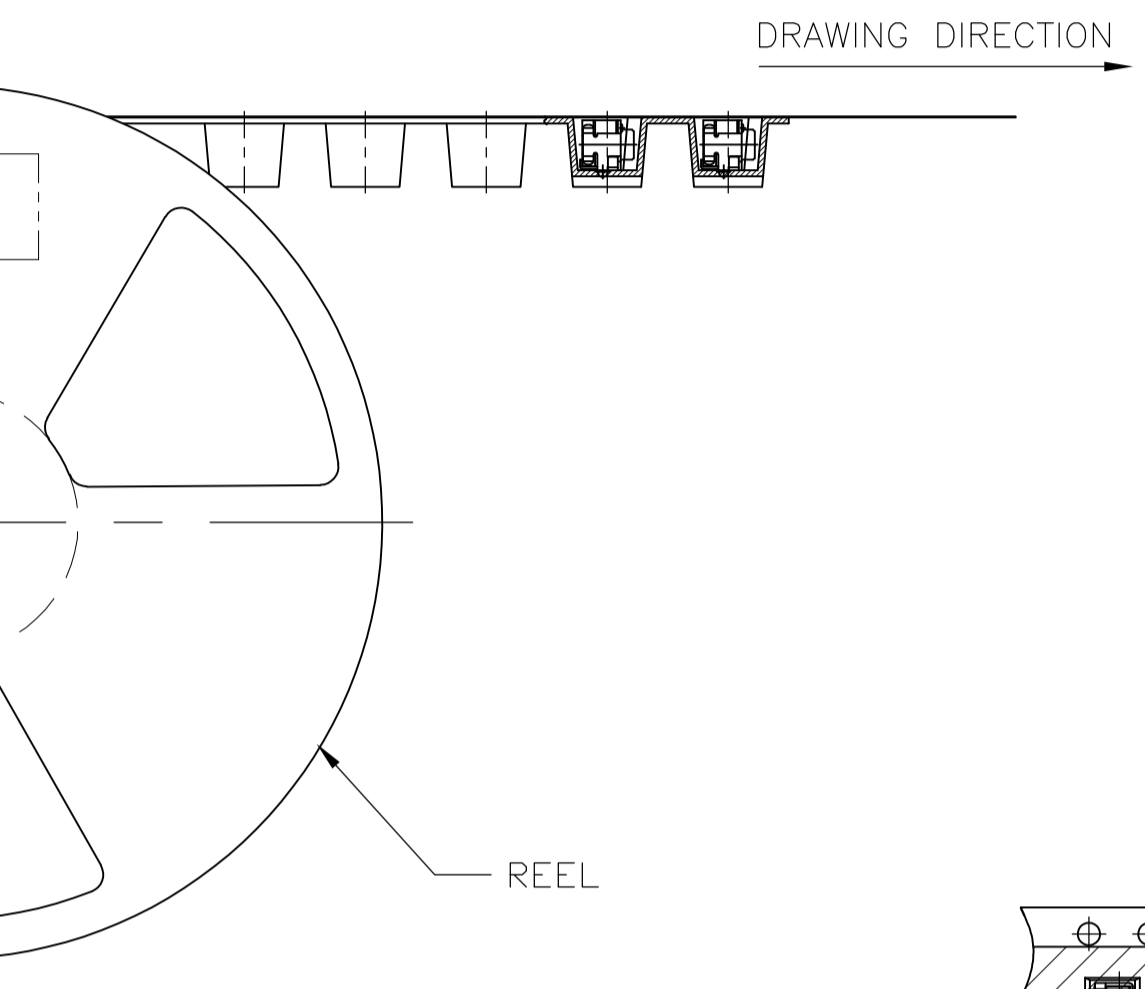
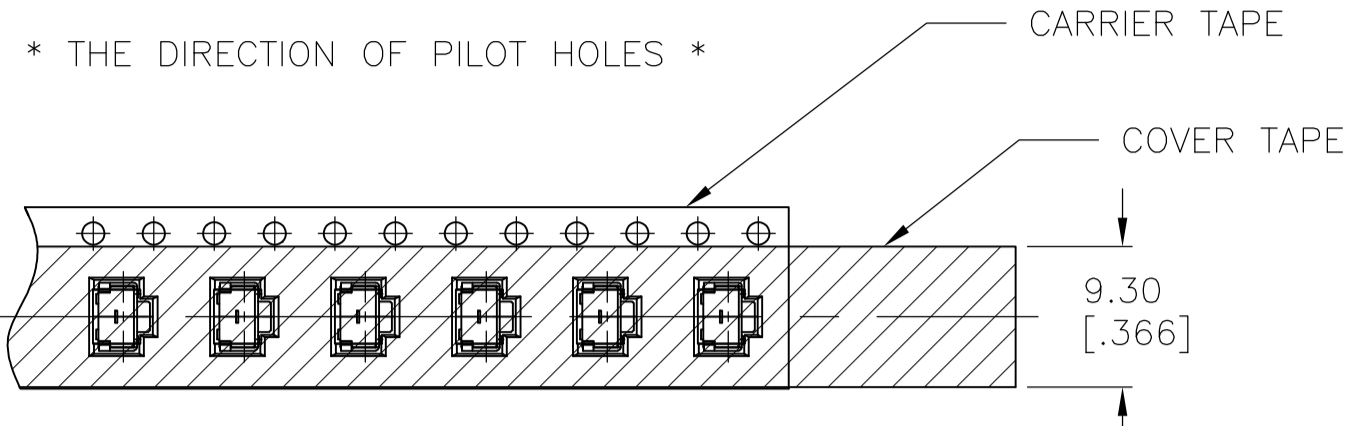
THIS DRAWING IS A CONTROLLED DOCUMENT.		DIN M. BINNER	08MAR2007	STE TE Connectivity	
DIMENSIONS: mm [INCHES]		TOLERANCES UNLESS OTHERWISE SPECIFIED:	APVD	NAME	
0. PLC	±	-	PRODUCT SPEC	R/A TACT SWITCH	
1. PLC	±	-	APPLICATION SPEC	SMT W/ LOCATING PEGS	
2. PLC	±	0.30[.012]	SIZE	CAGE CODE	DRAWING NO
3. PLC	±	-	WEIGHT	A1	00779
4. PLC	±	-	CUSTOMER DRAWING	SCALE	20:1
ANGLES	±	-	SHEET	1	2
MATERIAL		FINISH	RESTRICTED TO	REV	C

LOC		DIST		REVISIONS			
P	LTR	DESCRIPTION	DATE	DNW	APVD		
-	-	SEE SHEET 1	-	-	-	-	-

* THE DIMENSION OF CARRIER TAPE, COVER TAPE AND REEL *



±, 'D	Äi	¼ö
A0	3.9±0.1	[.153±.003]
A1	1.05±0.1	[.041±.003]
B0	4.9±0.1	[.192±.003]
B1	3.6±0.1	[.141±.003]
K0	4.2±0.1	[.165±.003]
K1	3.5±0.1	[.137±.003]



- 2,000 PCS SWITCHES PER 1 REEL
- GENERAL TOLERANCE : ±0.1[±.003]
- MATERIAL : CARRIER TAPE-POLYPROPYLENE,PC OR POLYSTYRENE
COVER TAPE-POLYESTER
REEL-ABS
END TAPE COLOR-GREEN OR IVORY

THIS DRAWING IS A CONTROLLED DOCUMENT.		DIN M. BINNER	08MAR2007	 TE Connectivity
DIMENSIONS: mm [INCHES]		TOLERANCES UNLESS OTHERWISE SPECIFIED:	APVD	
0. PLC	± -		NAME	R/A TACT SWITCH SMT W/ LOCATING PEGS
1. PLC	± -		PRODUCT SPEC	
2. PLC	± 0.30[.012]		APPLICATION SPEC	
3. PLC	± -		SIZE	A1
4. PLC	± -		WEIGHT	00779
ANGLES	± -		CAGE CODE	1977066
MATERIAL		FINISH		CUSTOMER DRAWING
		SCALE		2:1
		SHEET		2 OF 2
		REV		C