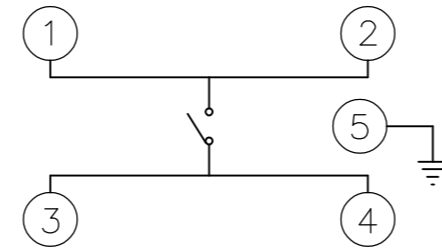
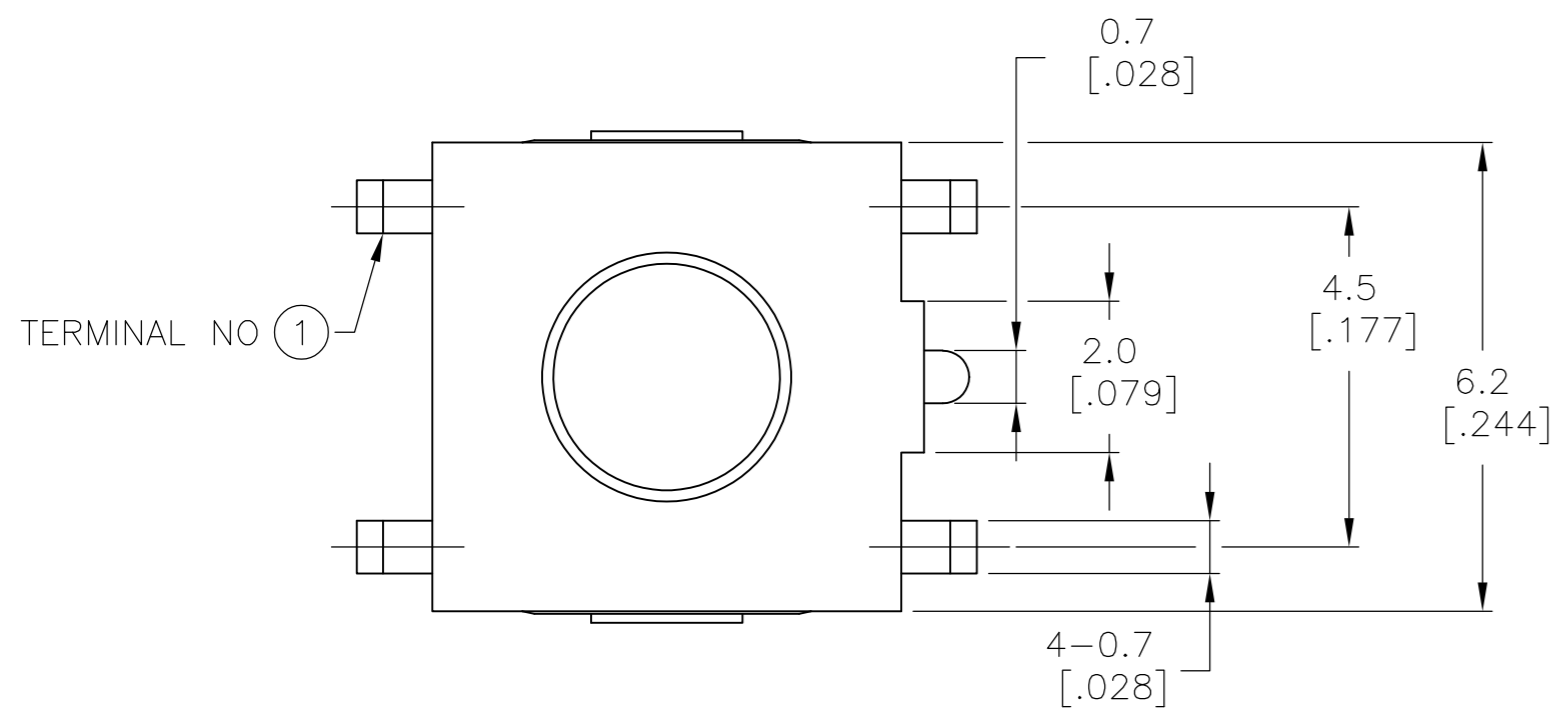
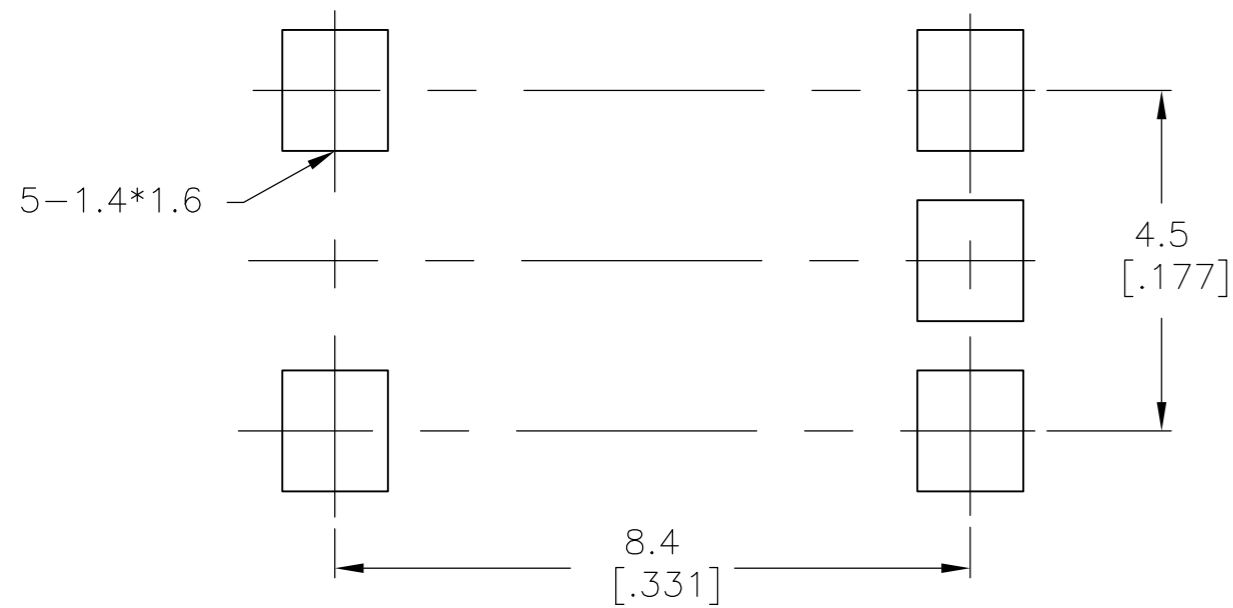
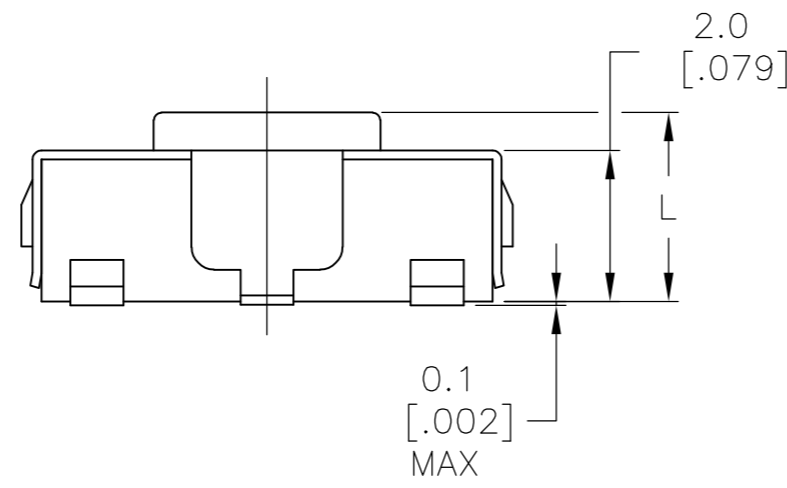
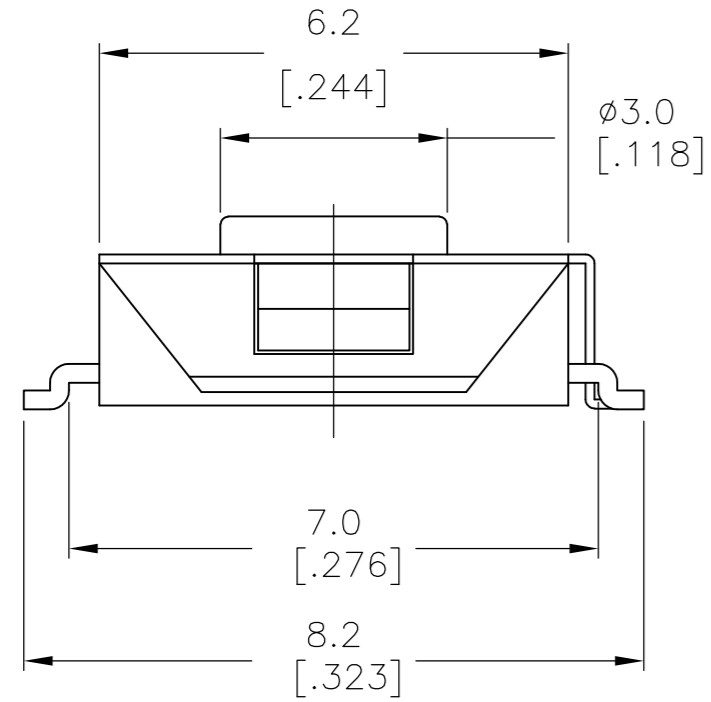


THIS DRAWING IS UNPUBLISHED. RELEASED FOR PUBLICATION  
 © COPYRIGHT BY TYCO ELECTRONICS CORPORATION. ALL RIGHTS RESERVED.

LOC		DIST		REVISIONS			
P	LTR	DESCRIPTION		DATE	DWN	APVD	
	C1	REVISED PER ECO-10-000076		07APR10	HMR	MW	



CIRCUIT DIAGRAM



P.C.B MOUNTING SOLDER LAND DIMENSION

SPECIFICATIONS:

MATERIALS:

HOUSING, THERMOPLASTIC, UL94-V0, BLACK  
 ACTUATOR, THERMOPLASTIC, UL94-V0, COLOR SEE TABLE  
 TERMINAL, COPPER ALLOY, PLATE- SILVER OVER NICKEL  
 COVER, COPPER ALLOY, TIN PLATE  
 CONTACT, STAINLESS STEEL, SILVER PLATE

ELECTRICAL:

MAX CONTACT RATING: 50MILLIAMPS@24V DC  
 MIN CONTACT RATING: 10MICROAMPS@1V DC  
 INITIAL CONTACT RESISTANCE, 100 MILLIOHMS MAX, PER EIA-364-23B, EACH POSITION  
 INSULATION RESISTANCE, 100 MEGOHM MIN. PER EIA-364-21C EACH POSITION  
 DIELECTRIC STRENGTH, 500 V AC FOR 1 MINUTE, PER EIA-364-20B, CONDITION 1, EACH POSITION.  
 CONTACT BOUNCE, 10 MILLISECOND MAX, PER EIA 448-1B, METHOD 15

MECHANICAL:

ACTUATION FORCE, SEE TABLE  
 ACTUATION TRAVEL, .25 +/- .1mm  
 LIFE EXPECTANCY, SEE TABLE, VALUES GIVEN ARE MINIMUM, (2 CYCLES PER SECOND AND 150% ACTUATION FORCE), PER EIA-448 METHODS 8 & 9  
 VIBRATION, PER EIA 364-28D, CONDITION VII, LEVEL E, DURATION 1.5 HOURS  
 MECHANICAL SHOCK, PER EIA-364-27C, CONDITION A

ENVIRONMENTAL:

OPERATING TEMPERATURE, -35° TO +85°C, PER EIA-448, METHOD 10 (2 CYCLES PER SECOND)  
 STORAGE TEMPERATURE, -35° TO +85°C  
 HUMIDITY AND TEMPERATURE CYCLING PER EIA-364-31B, METHOD III  
 THERMAL SHOCK, PER EIA-364-32C, -35 TO +85 DEGREES C  
 SOLDERABILITY, PER EIA-364-52, CLASS 2, CATEGORY 1, TEMP, 245 DEGREES C MAX, TIME, 2.5 SECONDS MAX, 95% MINIMUM COVERAGE  
 RESISTANCE TO SOLDER HEAT, PER 109-201 COND B  
 1. NO CHANGE IN INITIAL ELECTRICAL AND MECHANICAL CHARACTERISTICS

NOTES:

- TAPE AND REEL PACKAGING PER EIA 481, TAPE WIDTH 12MM, PITCH 8.0MM, 3000 PER REEL
- ALL MATERIALS AND FINISHES SHALL COMPLY WITH EU DIRECTIVE 2002/95/EC OF 27 JAN 2003 (ROHS)

	VIOLET	T&R	100,000	260±50gf	2.5mm	1-1571636-0
	VIOLET	BULK	100,000	260±50gf	2.5mm	1571636-9
	RED	T&R	1,000,000	160±50gf	2.0mm	1571636-8
	RED	BULK	1,000,000	160±50gf	2.0mm	1571636-7
OBSOLETE	RED	T&R	1,000,000	160±50gf	2.5mm	1571636-6
	RED	BULK	1,000,000	160±50gf	2.5mm	1571636-5
	GREEN	T&R	1,000,000	100±50gf	2.5mm	1571636-4
	GREEN	BULK	1,000,000	100±50gf	2.5mm	1571636-3
	IVORY	T&R	1,000,000	50±30gf	2.5mm	1571636-2
	IVORY	BULK	1,000,000	50±30gf	2.5mm	1571636-1
	COLOR	PACKAGING	CYCLE LIFE	FORCE	DIM L	PART NUMBER

THIS DRAWING IS A CONTROLLED DOCUMENT.		DWN	M.BINNER	22SEP03	Tyco Electronics Corporation Harrisburg, Pa 17105-3608	
DIMENSIONS: mm [INCHES]		CHK	M.SARVER	22SEP03	NAME	
TOLERANCES UNLESS OTHERWISE SPECIFIED:		APVD	M.SARVER	22SEP03	PRODUCT SPEC	
0 PLC ± -		APPLICATION SPEC		PUSHBUTTON SWITCH, 6X6 mm, SMT, GULL WING, W/ESD TERMINAL		
1 PLC ± 0.3				SIZE	CAGE CODE	DRAWING NO
2 PLC ± -				A2	00779	C=1571636
3 PLC ± -				RESTRICTED TO		
4 PLC ± -				-		
ANGLES ± -				SCALE 10:1 SHEET 1 OF 1 REV C1		
MATERIAL SEE NOTES		FINISH -		WEIGHT -		CUSTOMER DRAWING

1571636

A