

PLEASE CHECK WWW.MOLEX.COM FOR LATEST PART INFORMATION

Part Number: [0051251005](#)
Status: **Active**
Overview: [LFH™ Interconnect System](#)
Description: 1.90mm Pitch LFH™ Matrix 75 Plug Cable Kit, Terminal Stick, 24 Circuits

Documents:

[3D Model](#) [Product Specification PS-70660 \(PDF\)](#)
[Drawing \(PDF\)](#) [RoHS Certificate of Compliance \(PDF\)](#)

General

Product Family	I/O Connectors
Series	71989
Application	Wire-to-Board
Comments	Four 24-Circuit Sticks per Subassembly Terminal Sticks with Carrier
Component Type	Plug
Overview	LFH™ Interconnect System
Product Name	LFH™
Type	N/A
UPC	800755008289

Physical

Circuits (Loaded)	96
Circuits (maximum)	96
Lock to Mating Part	None
Material - Metal	Phosphor Bronze
Material - Plating Mating	Gold
Material - Plating Termination	Tin
Net Weight	2.222/g
Orientation	Vertical
PCB Retention	N/A
Packaging Type	Tray
Panel Mount	Yes
Pitch - Mating Interface	1.90mm
Plating min - Mating	0.762µm
Plating min - Termination	2.540µm
Polarized to Mating Part	Yes
Surface Mount Compatible (SMC)	N/A
Temperature Range - Operating	-20°C to +80°C
Termination Interface: Style	Through Hole
Wire Size AWG	26, 28, 30, 32, 34, 36

Electrical

Current - Maximum per Contact	1.0A
Shielded	Yes
Voltage - Maximum	40V

Solder Process Data

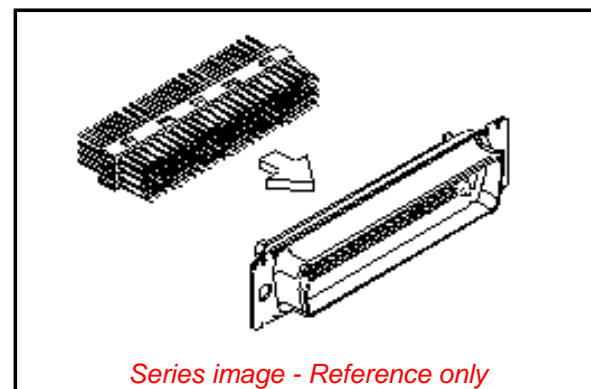
Lead-freeProcess Capability	N/A
-----------------------------	-----

Material Info

Old Part Number	71989-4002
-----------------	------------

Reference - Drawing Numbers

Product Specification	PS-70660
Sales Drawing	SDA-71989-4001



Series image - Reference only

EU ELV

Not Relevant

EU RoHS

Compliant

REACH SVHC

Not Contained Per
-ED/79/2015 (17
December 2015)

Halogen-Free

Status

Low-Halogen

Need more information on product environmental compliance?

Email productcompliance@molex.com
Please visit the [Contact Us](#) section for any non-product compliance questions.

China ROHS

ELV

Green Image

Not Relevant

Search Parts in this Series

[71989 Series](#)

Mates With

[70660](#) , [71990](#)

This document was generated on 04/07/2016

PLEASE CHECK WWW.MOLEX.COM FOR LATEST PART INFORMATION