



Introduction

STMicroelectronics' L638xE is a versatile, high-voltage gate driver family of devices.

Developed using BCD offline technology, the L6384E, L6385E, L6386E, L6387E and L6388E devices can operate with high voltage rails up to 600 V. The gate drivers provide all the functions and current capability necessary for high- and low-side power MOSFETs and IGBTs.

The devices can be used in all types of applications where high-voltage shifted control is necessary; they have a relatively high driver current capability and are provided with an internal patented circuitry that replaces the external bootstrap diode. This feature is achieved by means of a high voltage DMOS, synchronously driven with the low-side gate driver.

Contents

1	L6384E	4
2	L6385E	7
3	L6386E	10
4	L6387E	13
5	L6388E	15
6	Bootstrap driver	17
	6.1 C _{BOOT} selection and charging	17
7	Application examples	20
8	Revision history	24

List of figures

Figure 1.	L6384E internal block diagram	5
Figure 2.	L6384E - schematic diagram of the evaluation circuit	5
Figure 3.	L6384E - PCB and component layout of the evaluation circuit.	6
Figure 4.	L6385E - internal block diagram	8
Figure 5.	L6385E - schematic diagram of the evaluation circuit	8
Figure 6.	L6385E - PCB and component layout of the evaluation circuit.	9
Figure 7.	L6386E - internal block diagram	11
Figure 8.	L6386E - schematic diagram of the evaluation circuit	11
Figure 9.	L6386E - PCB and component layout of the evaluation circuit.	12
Figure 10.	L6387E - internal block diagram	14
Figure 11.	L6388E internal block diagram	16
Figure 12.	External bootstrap diode: principle schematic	18
Figure 13.	Internal bootstrap diode: principle schematic	18
Figure 14.	External charge pump.	19
Figure 15.	L6384E μ C 3-phase motor control	20
Figure 16.	L6384E dimmable lamp ballast.	21
Figure 17.	L6384E half bridge converter	21
Figure 18.	L6385E horizontal deflection stage.	22
Figure 19.	L6385E 2-switch forward converter	22
Figure 20.	L6385E asymmetrical half bridge	23
Figure 21.	L6386E h-bridge with cycle-by-cycle control	23

1 L6384E

The L6384E (depicted in [Figure 1](#)) is a half-bridge driver with an externally-adjustable dead time and shut-down function. To disable the driver, the control pin (DT/SD at pin 3) must be pulled down to below 0.5 V. The dead time can be set from 0.5 μ s to 2.7 μ s by placing a resistor between pin 3 and ground. Available in both Minidip and SO-8 packages, this driver can be used in motor controls, resonant converters and lighting applications. [Figure 2](#) and [Figure 3](#) show the schematic diagram of the evaluation circuit and the layout of the test PCB.

Table 1. L6384E pin description

N.	Name	Typ.	Function
1	IN ⁽¹⁾	I	Logic input. In phase with HVG and in opposition to LVG. Compatible with the V_{CC} voltage.
2	V_{CC}		Supply input voltage. Includes an internal clamp (typically 15.6 V). Also has a UVLO feature (typical threshold value $V_{ccth1} = 12$ V, $V_{ccth2} = 10$ V).
3	DT/SD	I	High impedance pin with double function. When pulled to a voltage lower than V_{dt} (typically 0.5 V) the device is shut down. A voltage higher than V_{dt} sets the dead time between the high side and low side gate driver. The dead time value can be set by forcing a certain voltage level on the pin or by connecting a resistor between pin 3 and ground. Care must be taken to avoid spikes on pin 3 that could cause an undesired shut down of the IC. For this reason, the connection of the components between pin 3 and ground must be as short as possible. This pin cannot be left floating for the same reason. The pin must not be pulled through a low impedance to V_{CC} because of the drop on the current source that feeds R_{dt} .
4	GND		Ground.
5	LVG	O	Low-side driver output. The output stage can deliver a 400 mA source and a 650 mA sink (typical values). The circuit guarantees 0.3 V maximum on the pin (at $I_{sink} = 10$ mA) with $V_{CC} > 3$ V and lower than the turn-on threshold. This removes the need for the bleeder resistor connected between the gate and the source of the external MOSFET normally used to hold the pin low. The gate driver ensures low impedance in SD conditions as well.
6	OUT	O	Upper driver floating reference. Attention should be paid to the layout design of the power stage so as to limit below-ground spikes on this pin.
7	HVG	O	High-side driver output. The output stage can deliver a 400 mA source and a 650 mA sink (typical values). The circuit guarantees 0.3 V maximum between this pin and V_{out} (at $I_{sink} = 10$ mA) with $V_{CC} > 3$ V and lower than the turn-on threshold. This removes the need for the bleeder resistor connected between the gate and the source of the external MOSFET normally used to hold the pin low. The gate driver ensures low impedance in SD conditions as well.
8	V_{BOOT}		Bootstrap supply voltage. This is the upper driver floating supply. The bootstrap capacitor connected between this pin and pin 6 can be fed by an internal structure named "bootstrap driver" (a patented structure). This structure can replace the external bootstrap diode.

1. The pull-down internal resistor is typically some hundred k Ω s.

Figure 1. L6384E internal block diagram

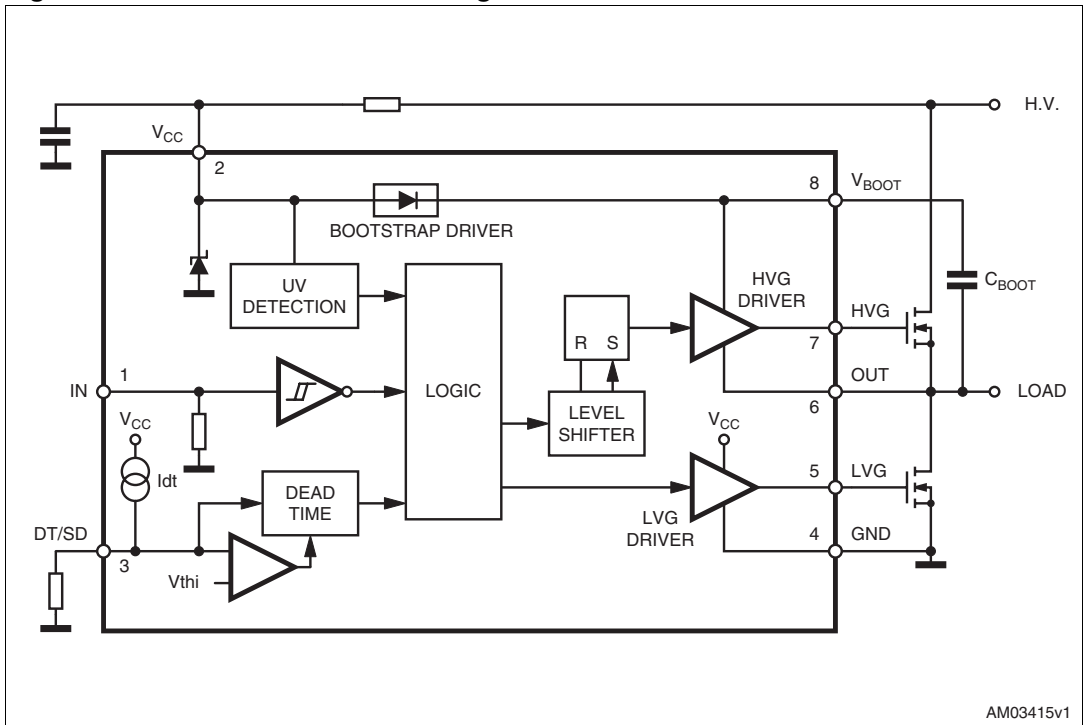


Figure 2. L6384E - schematic diagram of the evaluation circuit

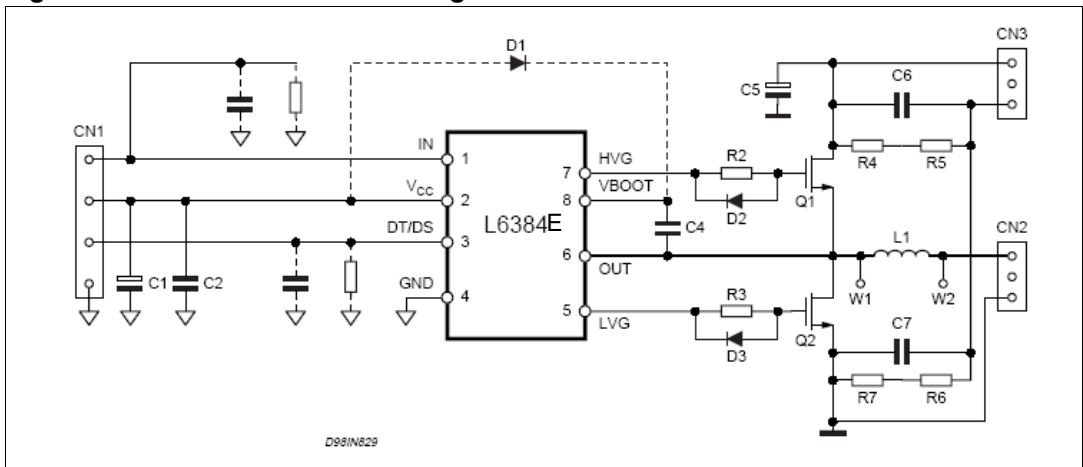
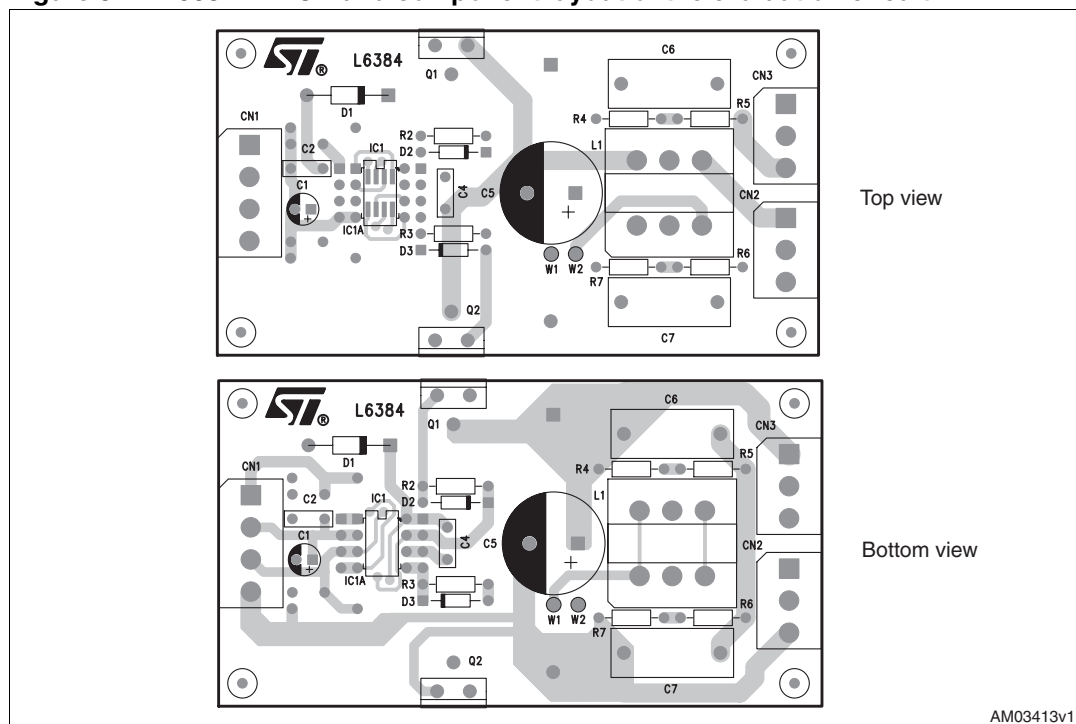


Figure 3. L6384E - PCB and component layout of the evaluation circuit



2 L6385E

The L6385E (shown in [Figure 4](#)) is a high- and low-side configurable driver. It can control the high- and low-side outputs (HVG and LVG) separately, through the two related logic inputs HIN and LIN. This device is provided with an undervoltage detection function in both the low voltage V_{CC} supply and high-voltage bootstrapped supply. Delivered in 8-pin packages, this driver has been specifically designed for power supplies and motion control applications.

[Figure 5](#) and [Figure 6](#) show the schematic diagram of the evaluation circuit and the layout of the relevant PCB.

Table 2. L6385E pin description

N.	Name	Type	Function
1	LIN ⁽¹⁾	I	Low-side driver logic input. Compatible with the V_{CC} voltage ($V_{il\ Max} = 1.5\ V$, $V_{ih\ Min} = 3.6\ V$)
2	HIN ⁽¹⁾	I	High-side driver logic input. Compatible with the V_{CC} voltage ($V_{il\ Max} = 1.5\ V$, $V_{ih\ Min} = 3.6\ V$)
3	V_{CC}		Supply input voltage with UVLO (typically $V_{ccth1} = 9.6\ V$, $V_{ccth2} = 8.3\ V$).
4	GND		Ground.
5	LVG	O	Low-side driver output. The output stage can deliver a 400 mA source and a 650 mA sink (typical values). The circuit guarantees 0.3 V maximum on the pin (at $I_{sink} = 10\ mA$) with $V_{CC} > 3\ V$ and lower than the turn-on threshold. This removes the need for the bleeder resistor connected between the gate and the source of the external MOSFET normally used to hold the pin low. The gate driver ensures low impedance in SD conditions as well.
6	OUT	O	High-side driver floating reference. Attention should be paid to the layout design of the power stage so as to limit below-ground spikes on this pin.
7	HVG	O	High-side driver output. The output stage can deliver a 400 mA source and a 650 mA sink (typical values). The circuit guarantees 0.3 V maximum between this pin and V_{out} (at $I_{sink} = 10\ mA$) with $V_{CC} > 3\ V$ and lower than the turn-on threshold. This removes the need for the bleeder resistor connected between the gate and the source of the external MOSFET normally used to hold the pin low.
8	V_{BOOT}		Bootstrap supply voltage. This is the floating supply of the high-side driver. Includes a UVLO function (typically, $V_{BStH1} = 9.5\ V$, $V_{BStH2} = 8.2\ V$). The bootstrap capacitor connected between this pin and pin 6 can be fed by an internal structure named "bootstrap driver" (a patented structure). This structure can replace the external bootstrap diode.

1. The pull-down internal resistor is typically some hundred k Ω s.

Figure 4. L6385E - internal block diagram

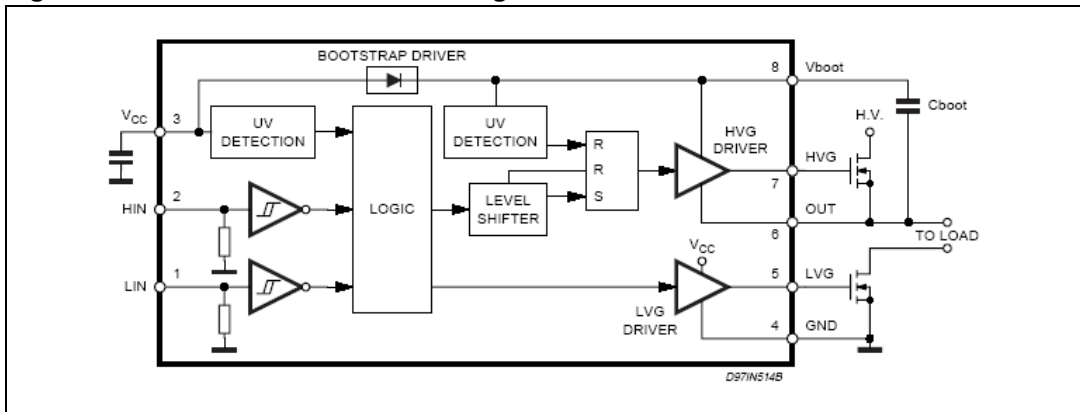


Figure 5. L6385E - schematic diagram of the evaluation circuit

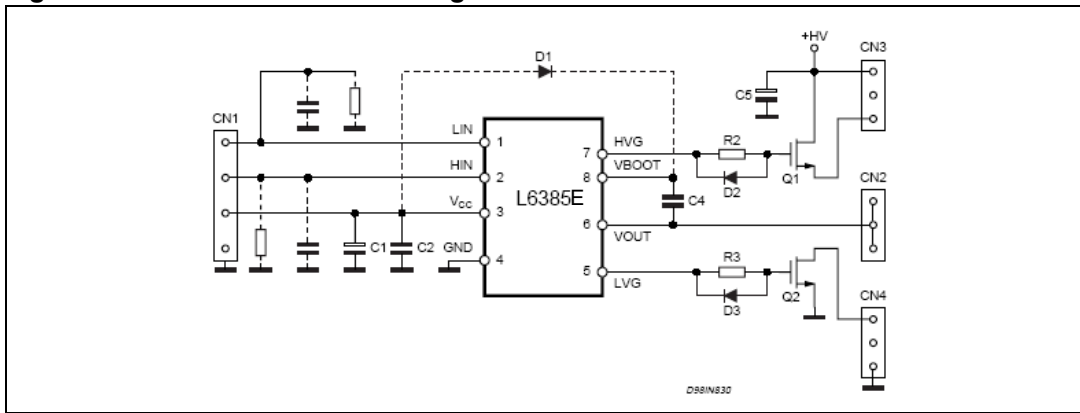
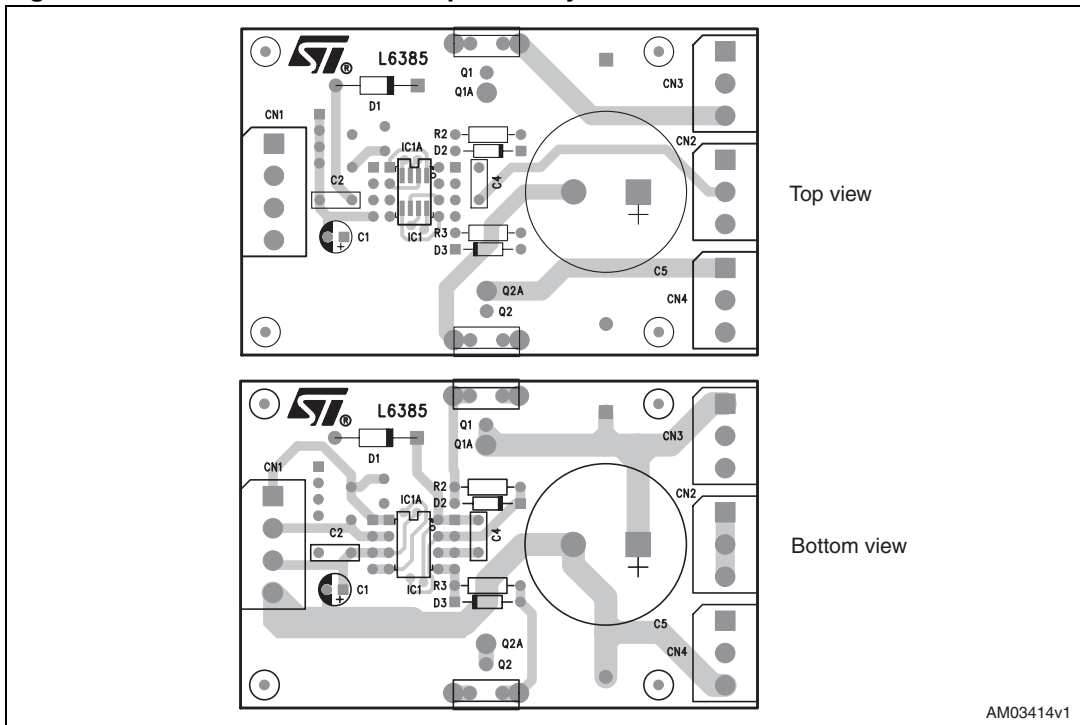


Figure 6. L6385E - PCB and component layout of the evaluation circuit



3 L6386E

The L6386E (shown in [Figure 7](#)) is a configurable driver based on the structure of the L6385E, with added functions. This device is available in DIP14 or SO-14 packages.

The added shutdown function (active low) and the current sense comparator (0.5-V threshold) with diagnostic output, make this device particularly suitable for motion control applications with cycle-by-cycle current feedback. The DIAG and CIN pins can be used to stop the device (by acting on the SD pin). [Figure 8](#) and [Figure 9](#) show the schematic diagram of the evaluation circuit and the layout of the relevant PCB.

Table 3. L6386E pin description

N.	Name	Type	Function
1	LIN ⁽¹⁾	I	Lower driver logic input. Compatible with the V_{CC} voltage ($V_{il\ Max} = 1.5\ V$, $V_{ih\ Min} = 3.6\ V$).
2	SD ⁽¹⁾	I	Shut-down logic input. Compatible with the V_{CC} voltage. If it needs to be pulled up, the suggested resistor value is 5 to 10 k Ω . ($V_{il\ Max} = 1.5\ V$, $V_{ih\ Min} = 3.6\ V$).
3	HIN ⁽¹⁾	I	Low-side driver logic input. Compatible with the V_{CC} voltage.
4	V _{CC}		Supply input voltage with UVLO (typically $V_{ccth1} = 12\ V$, $V_{ccth2} = 10\ V$).
5	DIAG	O	Diagnostic output: open drain.
6	CIN	I	Comparator input.
7	SGND		Ground reference for logic signals.
8	PGND		Power ground reference for the low voltage gate driver.
9	LVG	O	Low-side driver output. The output stage can deliver a 400 mA source and a 650 mA sink (typical values). The circuit guarantees 0.3 V maximum on the pin (at $I_{sink} = 10\ mA$) with $V_{CC} > 3\ V$ and lower than the turn-off threshold. This removes the need for the bleeder resistor connected between the gate and the source of the external MOSFET normally used to hold the pin low. The gate driver ensures low impedance in SD conditions as well.
10, 11	N.C.		Not connected.
12	OUT	O	High-side floating driver. Attention should be paid to the layout design of the power stage so as to limit below-ground spikes on this pin.
13	HVG	O	High-side driver output. The output stage can deliver a 400 mA source and a 650 mA sink (typical values). The circuit guarantees 0.3 V maximum between this pin and V _{out} (at $I_{sink} = 10\ mA$) with $V_{CC} > 3\ V$ and lower than the turn-on threshold. This removes the need for the bleeder resistor connected between the gate and the source of the external MOSFET normally used to hold the pin low. The gate driver ensures low impedance in SD conditions as well.
14	V _{BOOT}		Bootstrapped supply voltage. This is the floating supply of the high-side driver. Includes a UVLO function (typically, $V_{Bth1} = 11.9\ V$, $V_{Bth2} = 9.9\ V$). The bootstrap capacitor connected between this pin and pin 12 can be fed by an internal structure named "bootstrap driver" (a patented structure). This structure can replace the external bootstrap diode.

1. The pull-down internal resistor is typically some hundred k Ω s.

Figure 7. L6386E - internal block diagram

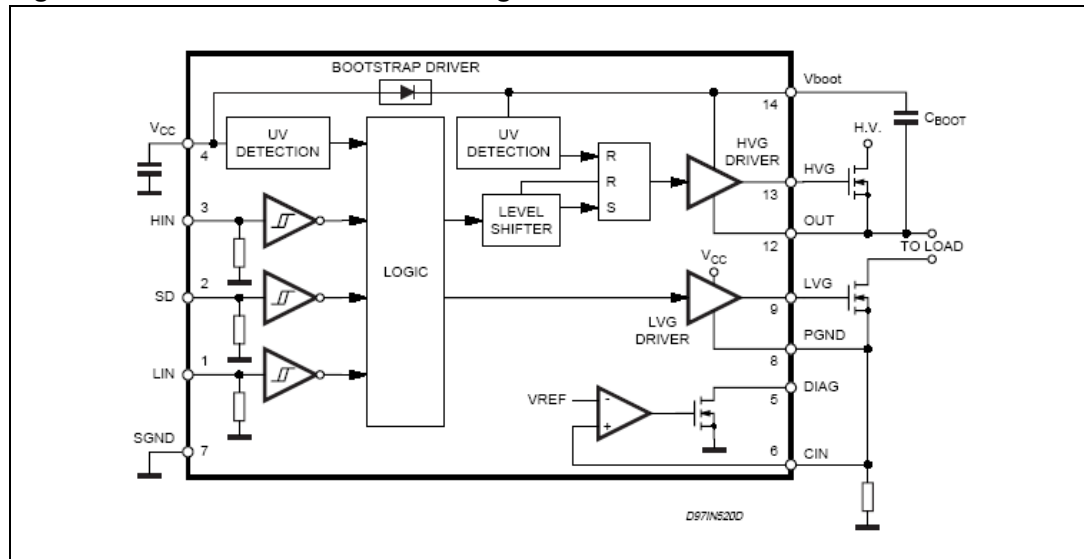


Figure 8. L6386E - schematic diagram of the evaluation circuit

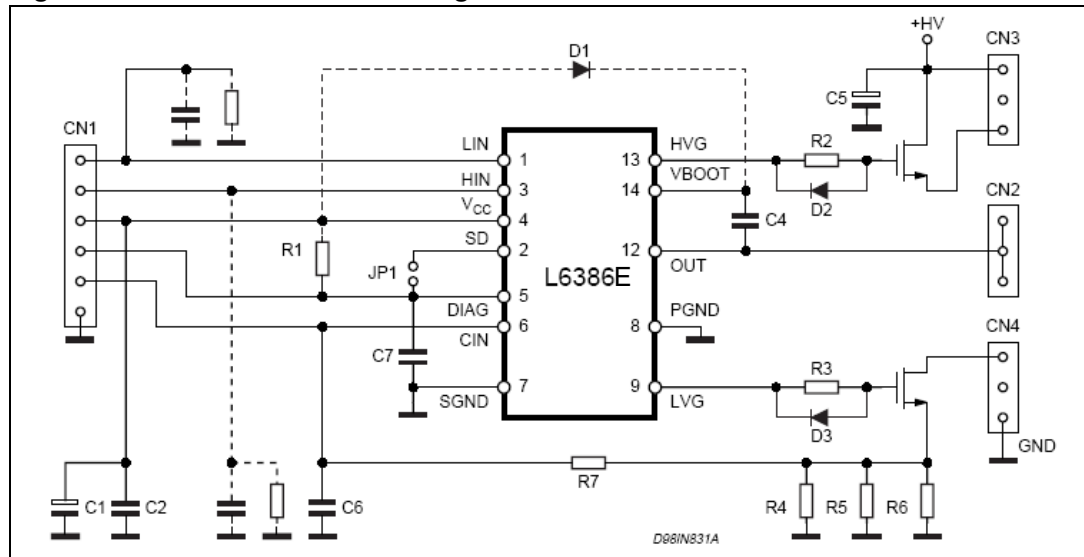
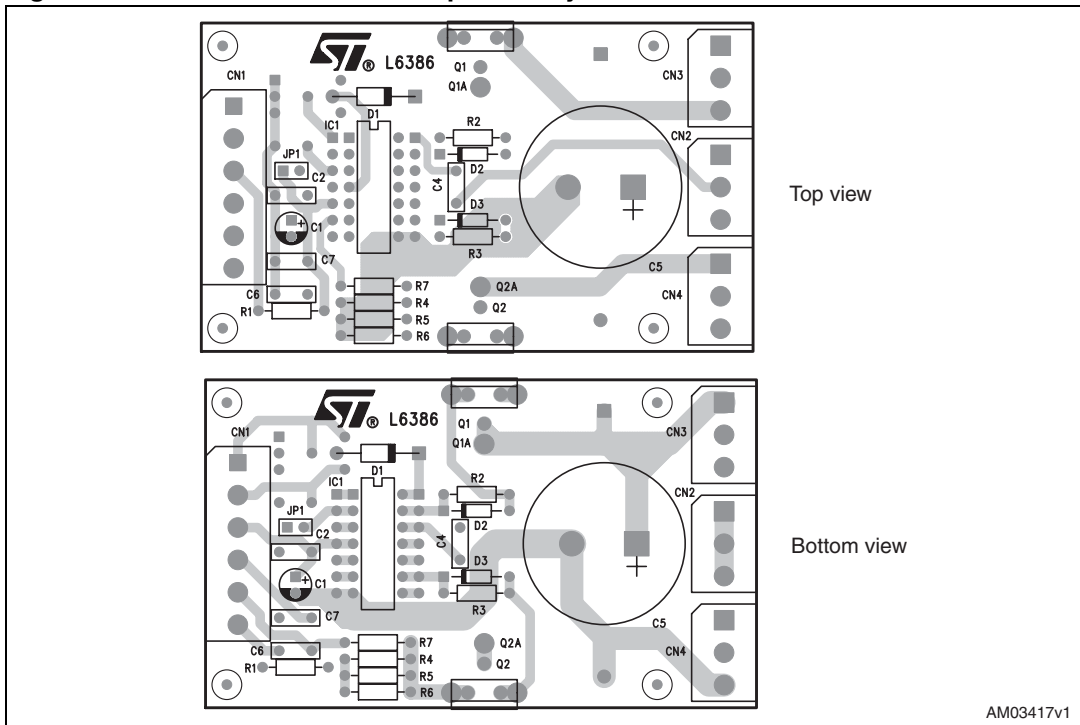


Figure 9. L6386E - PCB and component layout of the evaluation circuit



4 L6387E

The L6387E (shown in [Figure 10](#)) is based on the structure of the L6385E. It has two separate inputs and also includes an interlocking function to avoid both power switches from being unintentionally switched on at the same time (see [Table 5](#)).

The V_{CC} turn-on and turn-off thresholds have been lowered to 6 and 5.5 V respectively (typical). There is no UVLO on the upper driving section.

The L6387E can be evaluated using the L6385E board.

Table 4. L6387E pin description

N.	Name	Type	Function
1	LIN ⁽¹⁾	I	Low-side driver logic input. Compatible with V_{CC} voltage ($V_{il\ Max} = 1.5\ V$, $V_{ih\ Min} = 3.6\ V$).
2	HIN ⁽¹⁾	I	High-side driver logic input. Compatible with V_{CC} voltage ($V_{il\ Max} = 1.5\ V$, $V_{ih\ Min} = 3.6\ V$).
3	V_{CC}		Supply input voltage (with very low UVLO: $V_{ccth1} = 6\ V$ and $V_{ccth2} = 5.5\ V$)
4	GND		Ground.
5	LVG	O	Low-side driver output. The output stage can deliver a 400 mA source and a 650 mA sink (typical values). The circuit guarantees 0.3 V maximum on the pin (at $I_{sink} = 10\ mA$) with $V_{CC} > 3\ V$ and lower than the turn-on threshold. This removes the need for the bleeder resistor connected between the gate and the source of the external MOSFET normally used to hold the pin low.
6	OUT	O	High-side driver floating reference. Attention should be paid to the layout design of the power stage so as to limit below-ground spikes on this pin.
7	HVG	O	High-side driver output. The output stage can deliver a 400 mA source and a 650 mA sink (typical values). The circuit guarantees 0.3 V maximum between this pin and V_{out} (at $I_{sink} = 10\ mA$) with $V_{CC} > 3\ V$ and lower than the turn-on threshold. This removes the need for the bleeder resistor connected between the gate and the source of the external MOSFET normally used to hold the pin low.
8	V_{BOOT}		Bootstrap supply voltage. This is the floating supply of the high-side driver. The bootstrap capacitor connected between this pin and pin 6 can be fed by an internal structure named "bootstrap driver" (a patented structure). This structure can replace the external bootstrap diode.

1. The pull-down internal resistor is typically some hundred k Ω s.

Figure 10. L6387E - internal block diagram

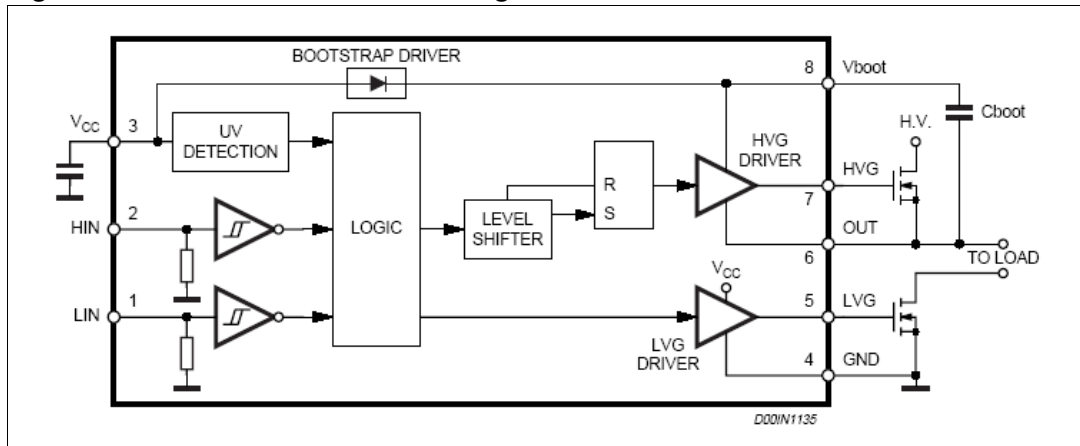


Table 5. Truth table

INPUT	HIN	0	0	1	1
	LIN	0	1	0	1
OUTPUT	HVG	0	0	1	0
	LVG	0	1	0	0

5 L6388E

The L6388E (see [Figure 11](#)) is based on the structure of the L6385E. It has two separate inputs that are 3.3-V compatible, a fixed dead time of approximately 320 ns and an interlocking function to avoid both power switches from being unintentionally switched on at the same time (see [Table 5](#)).

The UVLO thresholds of V_{CC} and V_{BOOT} are the same as for the L6385E.

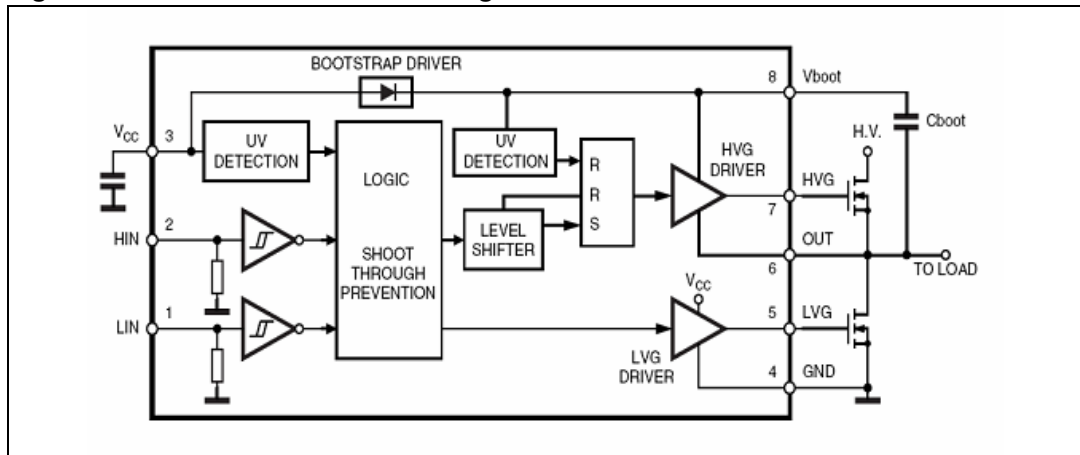
The L6388E can be evaluated using the L6385E board.

Table 6. L6388E pin description

N.	Name	Type	Function
1	LIN ⁽¹⁾	I	Low-side driver logic input. Compatible with the V_{CC} voltage ($V_{il\ Max} = 1.1\ V$, $V_{ih\ Min} = 1.8\ V$).
2	HIN ⁽¹⁾	I	High-side driver logic input. Compatible with the V_{CC} voltage ($V_{il\ Max} = 1.1\ V$, $V_{ih\ Min} = 1.8\ V$).
3	V_{CC}		Supply input voltage with UVLO (typical $V_{ccth1} = 9.6\ V$ and typical $V_{ccth2} = 8.3\ V$).
4	GND		Ground
5	LVG	O	Low-side driver output. The output stage can deliver a 400 mA source and a 650 mA sink (typical values). The circuit guarantees 0.3 V maximum on the pin (at $I_{sink} = 10\ mA$) with $V_{CC} > 3\ V$ and lower than the turn-on threshold. This removes the need for the bleeder resistor connected between the gate and the source of the external MOSFET normally used to hold the pin low.
6	VOUT	O	High-side driver floating reference. Attention should be paid to the layout design of the power stage so as to limit below-ground spikes on this pin.
7	HVG	O	High-side driver output. The output stage can deliver a 400 mA source and a 650 mA sink (typical values). The circuit guarantees 0.3 V maximum between this pin and V_{out} (at $I_{sink} = 10\ mA$) with $V_{CC} > 3\ V$ and lower than the turn-on threshold. This removes the need for the bleeder resistor connected between the gate and the source of the external MOSFET normally used to hold the pin low.
8	V_{BOOT}		Bootstrap supply voltage. This is the high-side driver floating supply (with UVLO: typical $V_{BSt1} = 9.5\ V$, $V_{BSt2} = 8.2\ V$). The bootstrap capacitor connected between this pin and pin 6 can be fed by an internal structure named "bootstrap driver" (a patented structure). This structure can replace the external bootstrap diode.

1. The pull-down internal resistor is typically some hundred k Ω s.

Figure 11. L6388E internal block diagram



6 Bootstrap driver

A bootstrap circuitry is required to supply the high voltage section. This function is normally accomplished by a high-voltage fast recovery diode (see [Figure 12](#)). In the L638xE, a patented integrated structure replaces the external diode. This structure is comprised of a high-voltage DMOS—driven synchronously with the low-side driver (LVG)—with a diode in series, as shown in [Figure 13](#).

An internal charge pump (also shown in [Figure 13](#)) provides the DMOS driving voltage. The diode connected in series to the DMOS has been added to avoid current flowing in the opposite direction.

6.1 C_{BOOT} selection and charging

To choose the proper C_{BOOT} value the external MOSFET can be seen as an equivalent capacitor. This capacitor C_{EXT} is related to the total gate charge of the MOSFET.

$$C_{EXT} = \frac{Q_{gate}}{V_{gate}}$$

The ratio between the capacitors C_{EXT} and C_{BOOT} is proportional to the cyclical voltage loss. It must be:

$$C_{BOOT} \gg \gg C_{EXT}$$

For example, if Q_{gate} is 30 nC and V_{gate} is 10 V, C_{EXT} is 3 nF. With C_{BOOT} = 100 nF the drop would be 300 mV. If HVG needs to be supplied for a long time, the C_{BOOT} selection also has to take into account the leakage losses.

Another example: HVG's steady state consumption is lower than 200 μA (which is the case for L6385E, L6386E and L6388E, whereas for L6384E and L6387E it is lower than 100 μA). Therefore, if HVG t_{on} is 5 ms, C_{BOOT} has to supply 1 μC to C_{EXT}. This charge on a 1-μF capacitor means a voltage drop of 1 V.

The internal bootstrap driver provides great advantages; it avoids use of the external fast recovery diode (which usually has a high leakage current). This type of structure can only work if V_{OUT} is close to GND (or lower) and while the LVG is ON. The charging time (T_{charge}) of C_{BOOT} is the time it takes for both conditions to be fulfilled and must be long enough to charge the capacitor.

The bootstrap driver introduces a voltage drop due to the DMOS R_{DS(on)} (typical for L638xE is 125 Ω). At low frequencies this drop is negligible, but when the frequency is increased it must be taken into account.

The following equation is useful to compute the drop on the bootstrap DMOS.

$$V_{drop} = I_{charge} \cdot R_{DS(on)} \rightarrow V_{drop} = \frac{Q_{gate}}{T_{charge}} R_{DS(on)}$$

Q_{gate} is the gate charge of the external power MOSFET, R_{DS(on)} is the ON resistance of the bootstrap DMOS, and T_{charge} is the charging time of the bootstrap capacitor.

For example, using a power MOSFET with a total gate charge of 30 nC, the drop on the bootstrap DMOS is about 1 V if T_{charge} is 5 μs .

In fact:

$$V_{\text{drop}} = \frac{30 \text{ nC}}{5 \mu\text{s}} \cdot 125 \Omega \approx 0.8 \text{ V}$$

V_{drop} must be taken into consideration when the voltage drop on C_{BOOT} is calculated. If the drop is too high or the circuit topology does not provide for a sufficient charging time (like the examples shown in [Figure 18](#), [Figure 19](#) and [Figure 20](#)), an external diode can be used. This is the reason why the external diode D1 is dotted in [Figure 2](#), [Figure 5](#) and [Figure 8](#).

When operating at very low frequencies, the high-side ON time can be very long. The C_{BOOT} voltage can drop because of the steady state consumption of the HVG. To avoid having to use extremely large capacitors (> 1 to 2 μF), an external charge pump can be added (see [Figure 14](#) as an example). The diodes are signal diodes because the high voltage drops on C1 and C2. It is mandatory that the diodes have a low parasitic capacitance because C1 and C2 have to be greater than the diodes' capacitance. The oscillator has to balance the consumption of the high-voltage side and the minimum frequency is fixed by the values of C1 and C2 (with C1 and C2 = 33 pF \rightarrow $f > 250\text{-}300 \text{ kHz}$). Additionally, the oscillator has to be able to sustain the dV/dt of the OUT pin.

Figure 12. External bootstrap diode: principle schematic **Figure 13. Internal bootstrap diode: principle schematic**

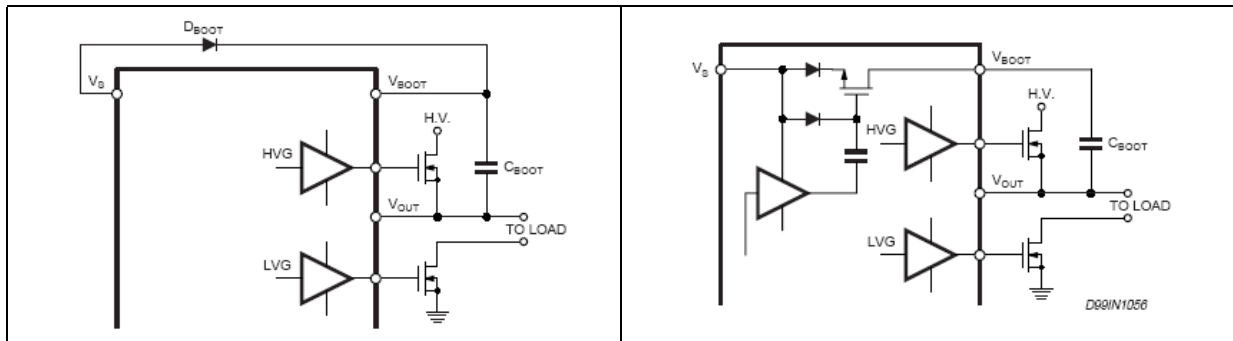
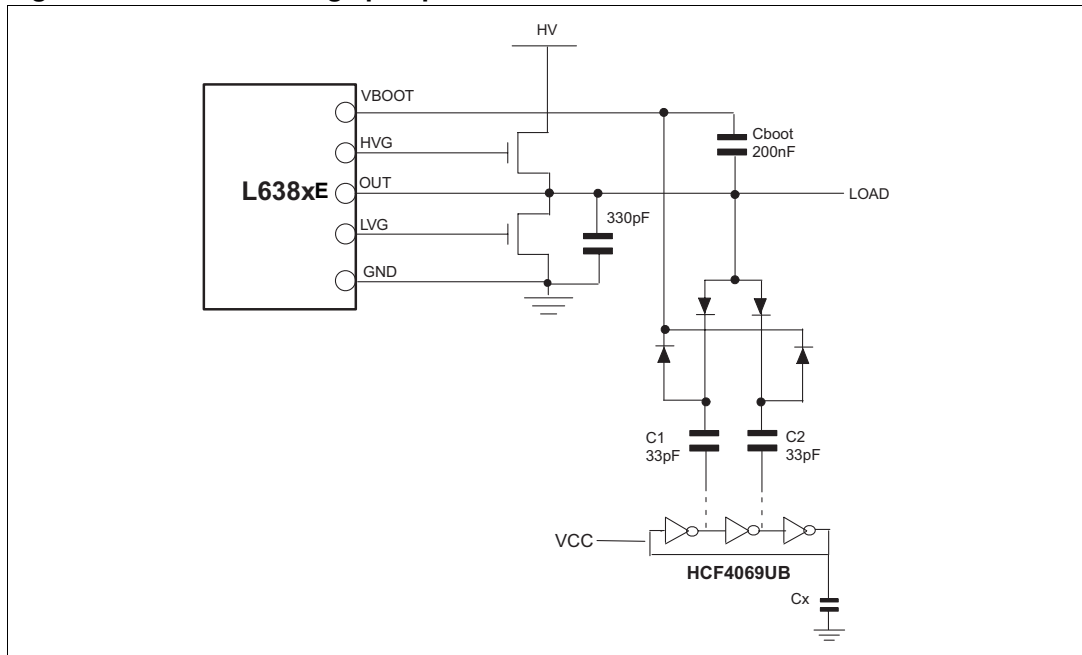


Figure 14. External charge pump



7 Application examples

This section provides several application suggestions that highlight the versatility and flexibility of this family of high- and low-side drivers. Their simplicity and compactness make these devices a cost-effective solution.

For further information on these ICs, refer to the following documents.

- AN1263: "Using the internal bootstrap current capability of the L638xE in driving a six transistor inverter bridge".
- AN1299: "L638xE tricks and tips".

Figure 15. L6384E μ C 3-phase motor control

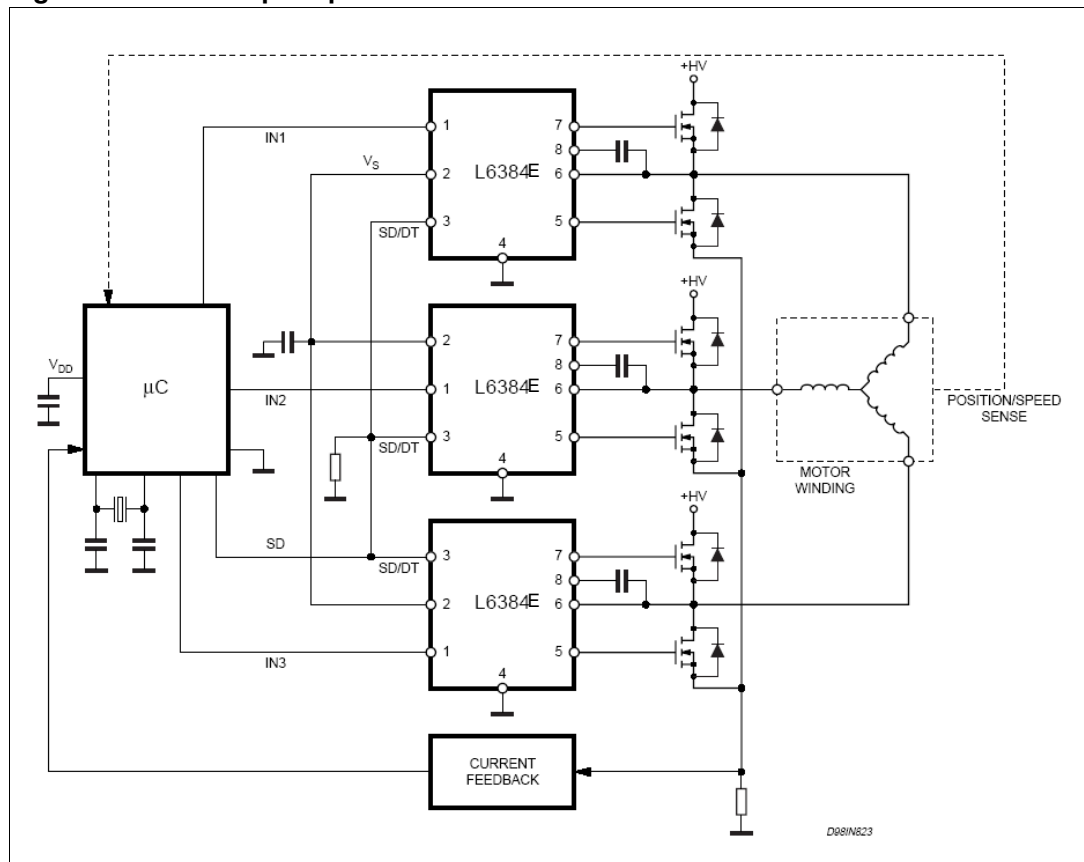


Figure 16. L6384E dimmable lamp ballast

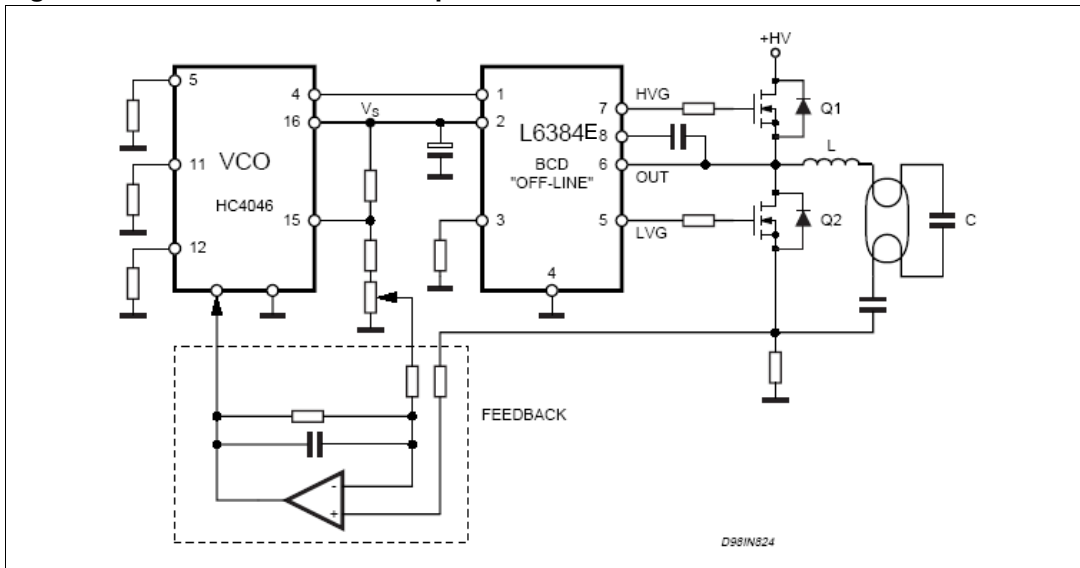


Figure 17. L6384E half bridge converter

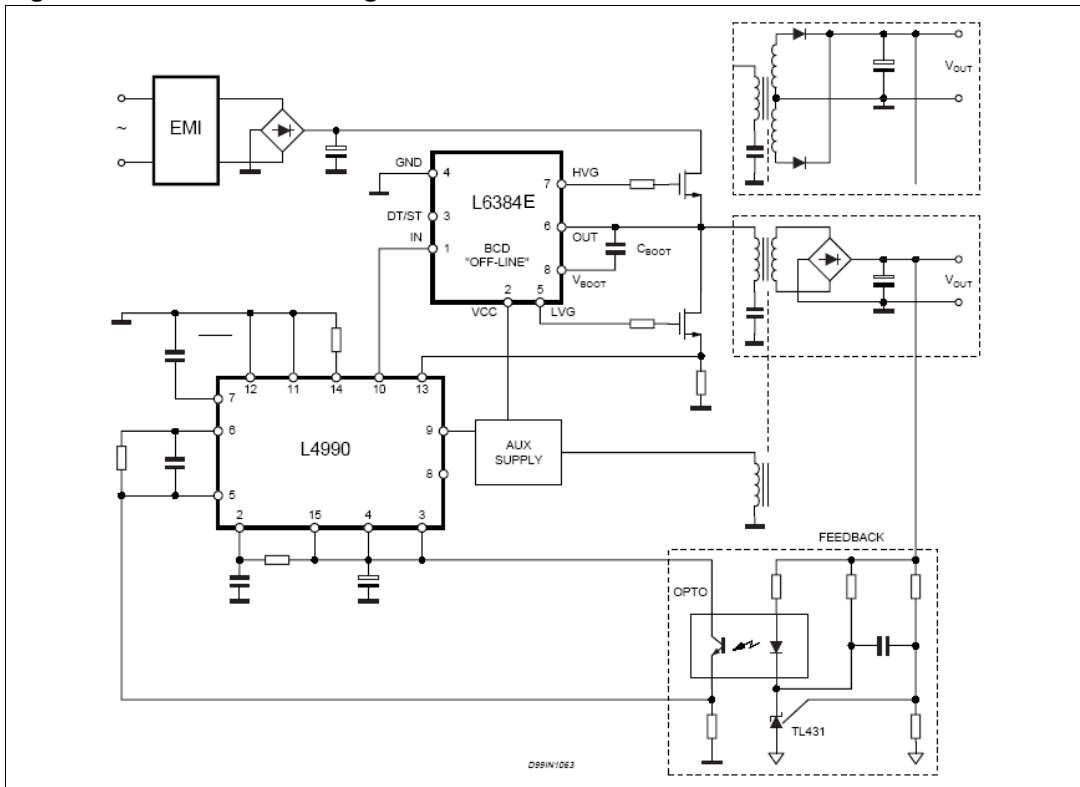


Figure 18. L6385E horizontal deflection stage

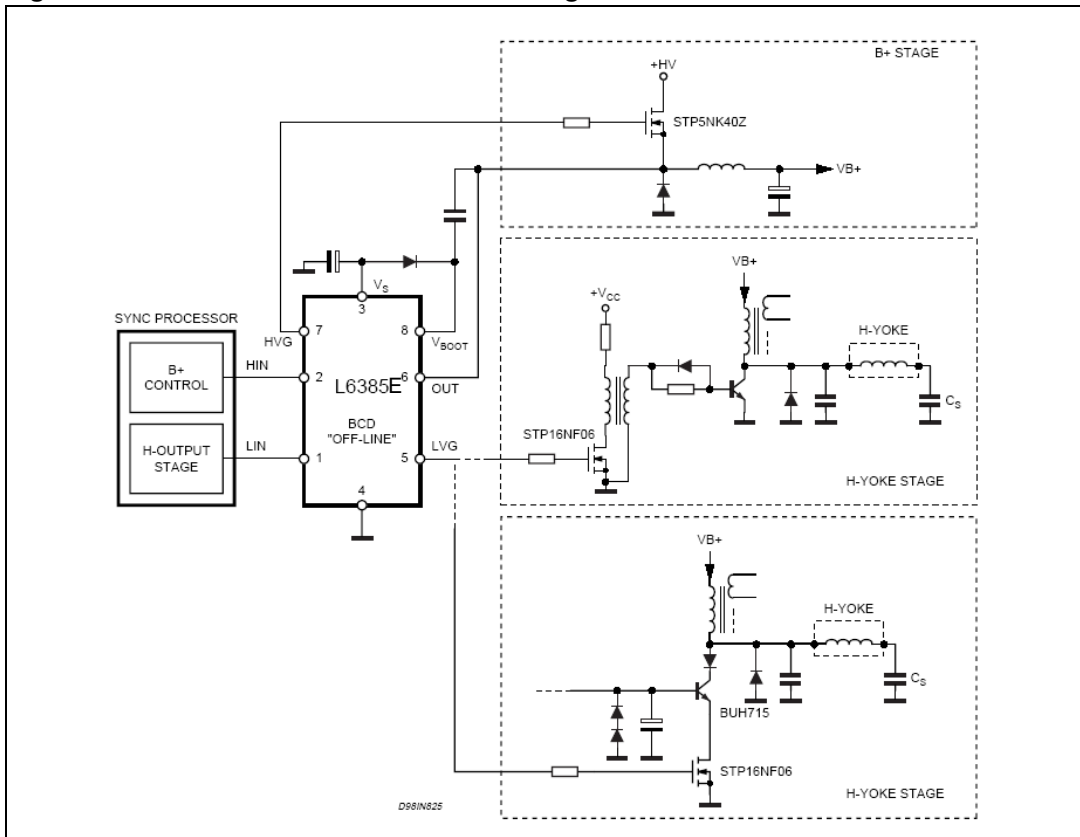


Figure 19. L6385E 2-switch forward converter

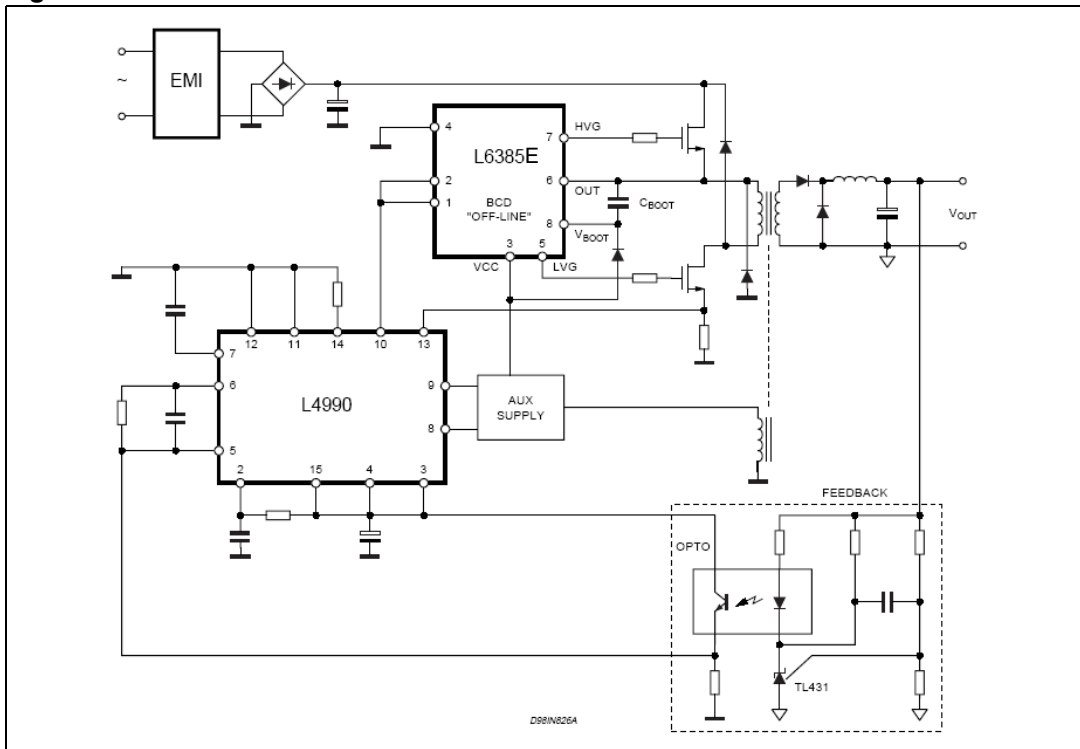


Figure 20. L6385E asymmetrical half bridge

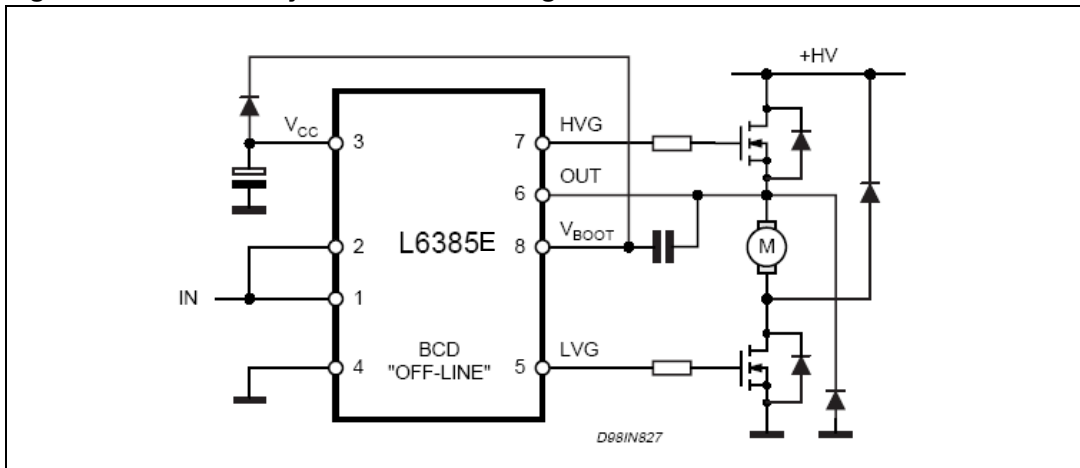
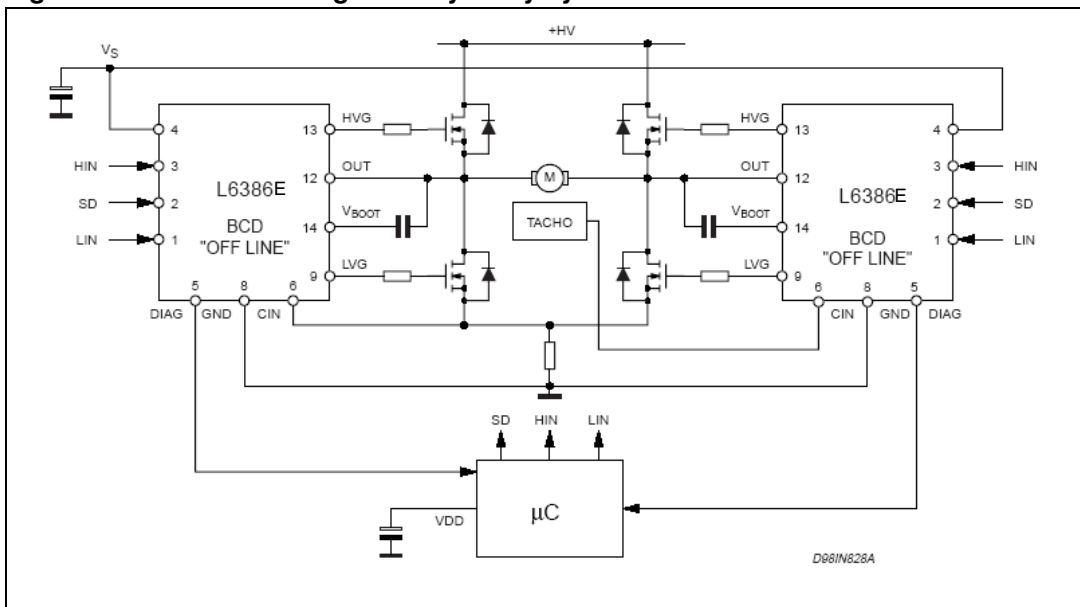


Figure 21. L6386E h-bridge with cycle-by-cycle control



8 Revision history

Table 7. Document revision history

Date	Revision	Changes
09-Sep-2004	6	Minor text changes
17-Feb-2009	7	Added: Section 5: L6388E – L6384 replaced by L6384E, L6385 replaced by L6385E, L6386 replaced by L6386E, L6387 replaced by L6387E, L6388 replaced by L6388E, L638x replaced by L638xE.

Please Read Carefully:

Information in this document is provided solely in connection with ST products. STMicroelectronics NV and its subsidiaries ("ST") reserve the right to make changes, corrections, modifications or improvements, to this document, and the products and services described herein at any time, without notice.

All ST products are sold pursuant to ST's terms and conditions of sale.

Purchasers are solely responsible for the choice, selection and use of the ST products and services described herein, and ST assumes no liability whatsoever relating to the choice, selection or use of the ST products and services described herein.

No license, express or implied, by estoppel or otherwise, to any intellectual property rights is granted under this document. If any part of this document refers to any third party products or services it shall not be deemed a license grant by ST for the use of such third party products or services, or any intellectual property contained therein or considered as a warranty covering the use in any manner whatsoever of such third party products or services or any intellectual property contained therein.

UNLESS OTHERWISE SET FORTH IN ST'S TERMS AND CONDITIONS OF SALE ST DISCLAIMS ANY EXPRESS OR IMPLIED WARRANTY WITH RESPECT TO THE USE AND/OR SALE OF ST PRODUCTS INCLUDING WITHOUT LIMITATION IMPLIED WARRANTIES OF MERCHANTABILITY, FITNESS FOR A PARTICULAR PURPOSE (AND THEIR EQUIVALENTS UNDER THE LAWS OF ANY JURISDICTION), OR INFRINGEMENT OF ANY PATENT, COPYRIGHT OR OTHER INTELLECTUAL PROPERTY RIGHT.

UNLESS EXPRESSLY APPROVED IN WRITING BY AN AUTHORIZED ST REPRESENTATIVE, ST PRODUCTS ARE NOT RECOMMENDED, AUTHORIZED OR WARRANTED FOR USE IN MILITARY, AIR CRAFT, SPACE, LIFE SAVING, OR LIFE SUSTAINING APPLICATIONS, NOR IN PRODUCTS OR SYSTEMS WHERE FAILURE OR MALFUNCTION MAY RESULT IN PERSONAL INJURY, DEATH, OR SEVERE PROPERTY OR ENVIRONMENTAL DAMAGE. ST PRODUCTS WHICH ARE NOT SPECIFIED AS "AUTOMOTIVE GRADE" MAY ONLY BE USED IN AUTOMOTIVE APPLICATIONS AT USER'S OWN RISK.

Resale of ST products with provisions different from the statements and/or technical features set forth in this document shall immediately void any warranty granted by ST for the ST product or service described herein and shall not create or extend in any manner whatsoever, any liability of ST.

ST and the ST logo are trademarks or registered trademarks of ST in various countries.

Information in this document supersedes and replaces all information previously supplied.

The ST logo is a registered trademark of STMicroelectronics. All other names are the property of their respective owners.

© 2009 STMicroelectronics - All rights reserved

STMicroelectronics group of companies

Australia - Belgium - Brazil - Canada - China - Czech Republic - Finland - France - Germany - Hong Kong - India - Israel - Italy - Japan - Malaysia - Malta - Morocco - Singapore - Spain - Sweden - Switzerland - United Kingdom - United States of America

www.st.com



Mouser Electronics

Authorized Distributor

Click to View Pricing, Inventory, Delivery & Lifecycle Information:

[STMicroelectronics:](#)

[EVAL638X-KIT](#)