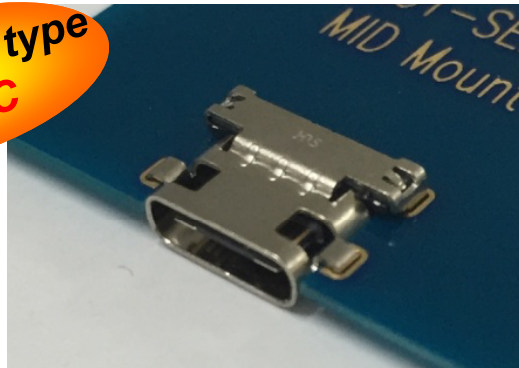




CX70M Series

Minimized size USB Type-C Connector

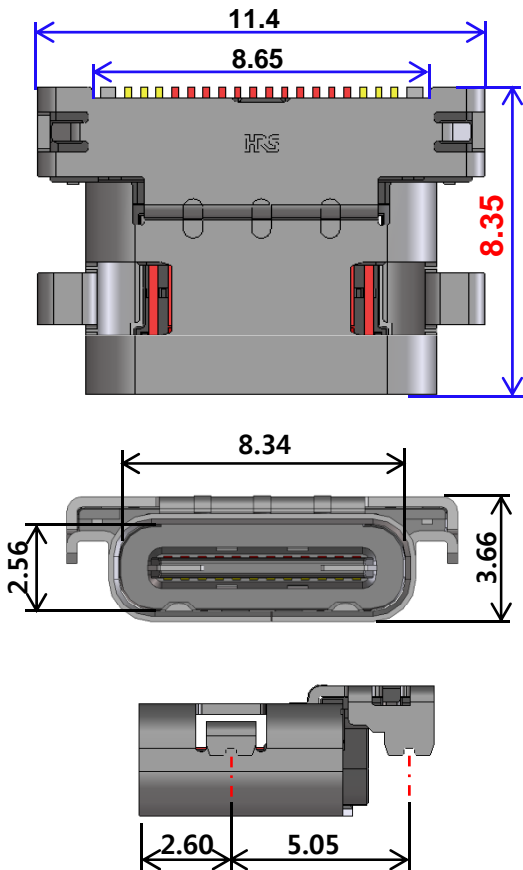
**Mid-mount type
Type-C**



◆ Features

1. Mid-mount & minimized length design, Type-C interface connector
2. Hybrid type supporting repair availability
3. Can be inserted in the reverse by symmetrical terminal layout
4. USB Type-C compliant interface connector (TID no. will be acquired)
5. USB3.1 Gen1 (5Gbps), high speed transmission is applicable

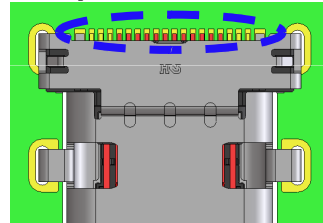
◆ Mid-mount & minimized length design



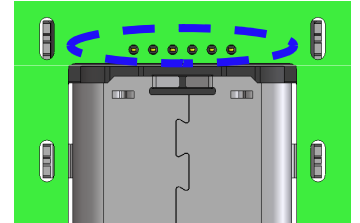
Space reduction by minimized length and mid-mount design

◆ Hybrid type supporting repair availability

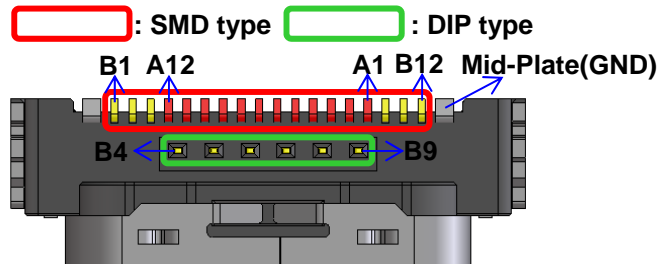
■ Top view with PCB



■ Bottom view with PCB

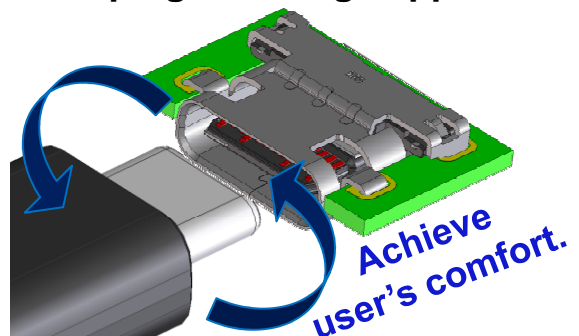


■ Bottom view without PCB



⇨ CX70M is **Hybrid(SMD + DIP) mounting type**

◆ Reversible plug inserting supportable



※Specifications herein are subject to change without notice. Contact Hirose for latest specifications, drawings or availabilities.