

Printview: Male header (for PCBs); Angled solder pin 0.8 x 0.8 mm; 2-pole; pin spacing 2.5 mm / 0.098 in; 100% protected against mismating; Horizontal PCB mounting; with closed end - Item No.: 733-362

WAGO® online catalog / eShop

**Male header (for PCBs); Angled solder pin 0.8 x 0.8 mm; 2-pole;
pin spacing 2.5 mm / 0.098 in; 100% protected against mismating;
Horizontal PCB mounting; with closed end**

Item No.: 733-362



Male header (for PCBs); Angled solder pin 0.8 x 0.8 mm; 2-pole; pin spacing 2.5 mm / 0.098 in; 100% protected against mismating; Horizontal PCB mounting; with closed end

Marking

RoHS ✓
Compliant

Business data

Supplier	WAGO
Item no.	733-362
GTIN / EAN	4044918974325
Content	1
Order amount	200
Customer item number	

Notes

100% protected against mismating; only mating halves with the same pole number can be connected together Coding option available

Technical data

Miscellaneous

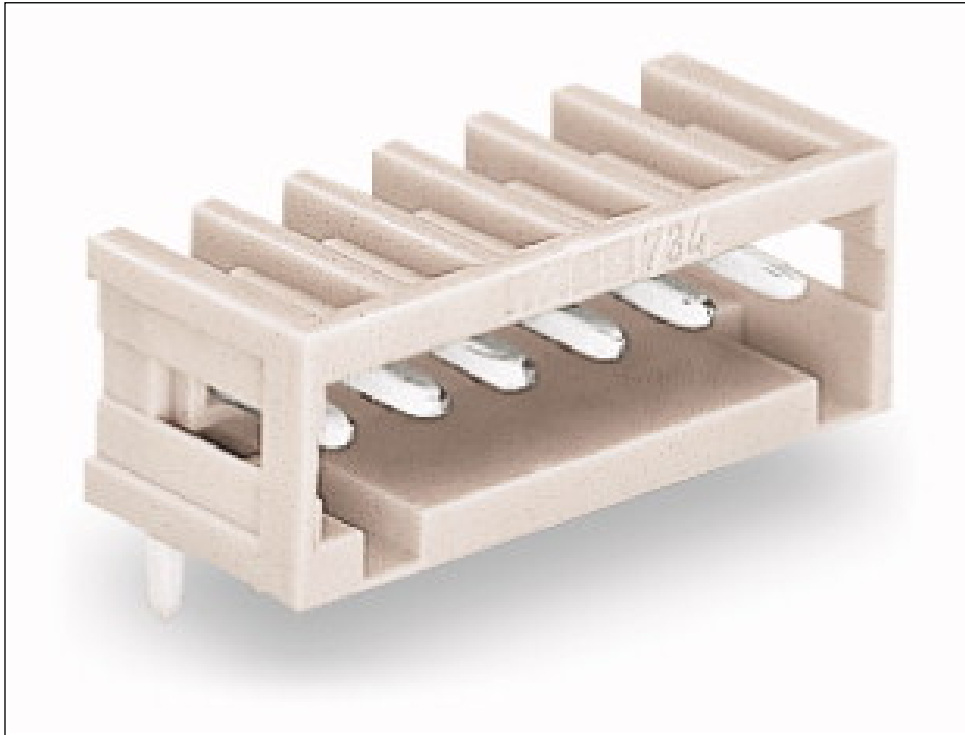
No. of poles	2
Pin Spacing	2.5 mm / 0.098 in %
Color	light gray
Ratings according to 1	IEC/EN 60664-1
Overtoltage category EN 1	III
Pollution degree (1)	2
Rated voltage EN (1) [V]	160 [V]

Printview: Male header (for PCBs); Angled solder pin 0.8 x 0.8 mm; 2-pole; pin spacing 2.5 mm / 0.098 in; 100% protected against mismatching; Horizontal PCB mounting; with closed end - Item No.: 733-362

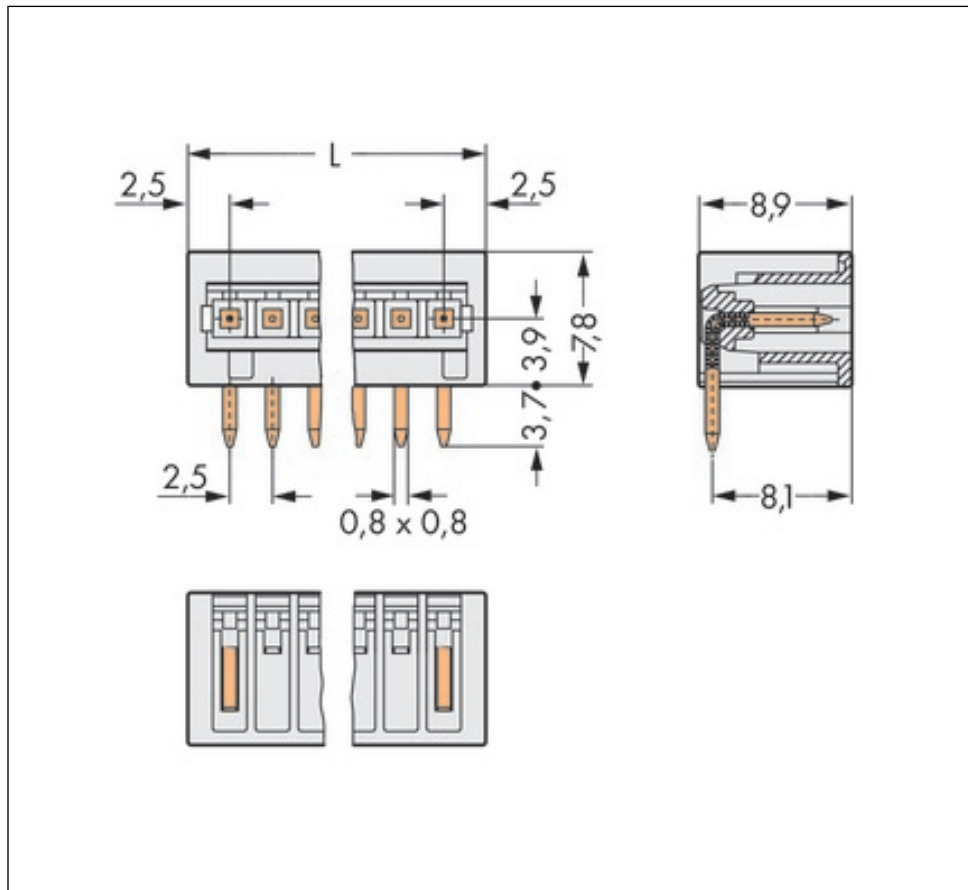
Technical data	
<i>Rated surge voltage (1) [kV]</i>	<i>2.5 [kV]</i>
<i>Nominal current [A]</i>	<i>6 [A]</i>
<i>Overvoltage category EN 2</i>	<i>II</i>
<i>Degree of pollution (2)</i>	<i>2</i>
<i>Rated voltage EN (2) [V]</i>	<i>320 [V]</i>
<i>Rated surge voltage (2) [kV]</i>	<i>2.5 [kV]</i>
<i>Nominal current (2) [A]</i>	<i>6 [A]</i>
<i>Overvoltage category EN 3</i>	<i>III</i>
<i>Degree of pollution (3)</i>	<i>3</i>
<i>Rated voltage EN (3) [V]</i>	<i>80 [V]</i>
<i>Rated surge voltage (3) [kV]</i>	<i>2.5 [kV]</i>
<i>Nominal current (3) [A]</i>	<i>6 [A]</i>
<i>Solder pin length [mm]</i>	<i>3.7 [mm]</i>
<i>Solder pin width A [mm]</i>	<i>0.8 [mm]</i>
<i>Solder pin width B [mm]</i>	<i>0.8 [mm]</i>
<i>Tolerance of drilled hole [mm]</i>	<i>1.1(+ 0.1) [mm]</i>
<i>Material group</i>	<i>I</i>
<i>Insulating material</i>	<i>Polyamide 66 (PA 66)</i>
<i>Flammability rating per UL 94</i>	<i>V0</i>
<i>Limit temperature range</i>	<i>-60 C ... 100 C</i>
<i>Contact material</i>	<i>Electrolytic copper (Ecu)</i>
<i>Contact plating</i>	<i>tin-plated</i>
<i>Fire load [MJ]</i>	<i>0.007 [MJ]</i>
<i>Weight [g]</i>	<i>0.392 [g]</i>
<i>Width</i>	<i>7.5 mm / 0.295 in</i>
<i>Height</i>	<i>11.5 mm / 0.453 in</i>
<i>Height from the surface</i>	<i>7.8 mm / 0.307 in</i>
<i>Length</i>	<i>8.9 mm / 0.35 in</i>

Printview: Male header (for PCBs); Angled solder pin 0.8 x 0.8 mm; 2-pole; pin spacing 2.5 mm / 0.098 in; 100% protected against mismatching; Horizontal PCB mounting; with closed end - Item No.: 733-362

Images & drawings



Printview: Male header (for PCBs); Angled solder pin 0.8 x 0.8 mm; 2-pole; pin spacing 2.5 mm / 0.098 in;
100% protected against mismatching; Horizontal PCB mounting; with closed end - Item No.: 733-362



Address

WAGO Kontakttechnik GmbH & Co. KG

Hansastr. 27

32423 Minden

Telefon: 0571/887-0

Fax: 0571/887-169

<http://www.wago.com>

© WAGO Kontakttechnik GmbH & Co. KG

Technische Änderungen und Irrtümer vorbehalten.