

## Fuse disconnect terminal block with pivoting fuse holder; for miniature fuses 5 x 20 mm; without blown fuse indication

Item No.: 281-611



Fuse disconnect terminal block with pivoting fuse holder; for miniature fuses 5 x 20 mm; without blown fuse indication

### Marking

RoHS ✓  
Compliant

### Business data

Supplier	WAGO
Item no.	281-611
GTIN / EAN	4045454614591
Content	1
Order amount	50
Customer item number	

### Notes

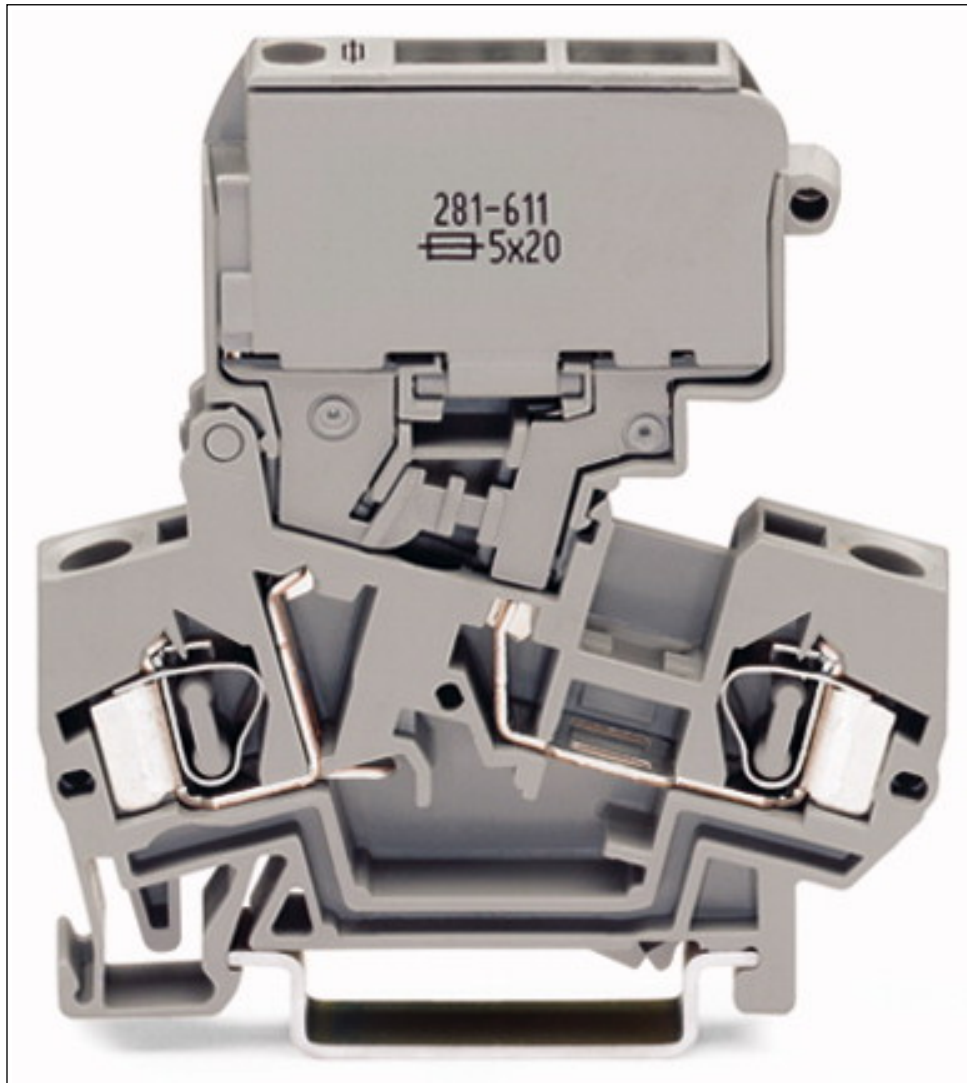
### Technical data

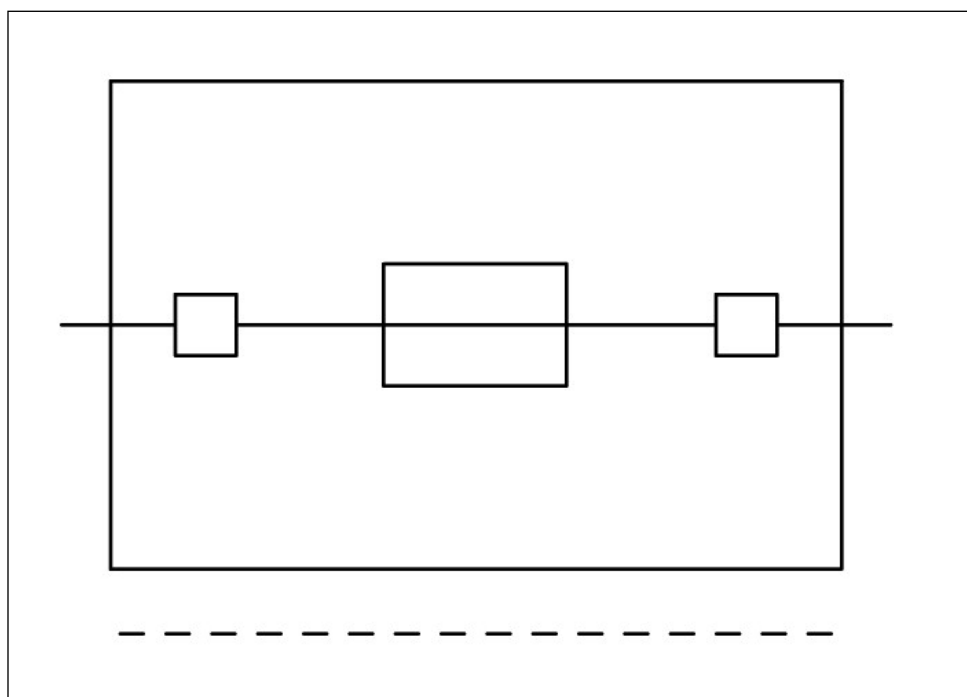
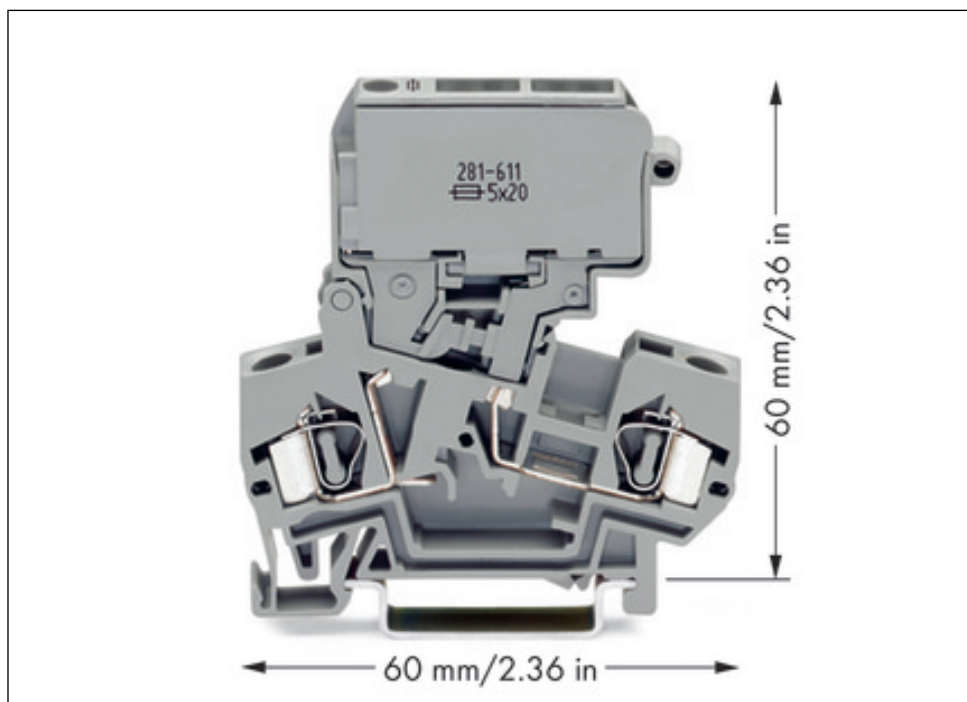
Miscellaneous	
Total number of connection points	2
Total number of potentials	2
Color	gray
Pollution degree (1)	3
Rated voltage EN (1) [V]	800 [V]
Rated surge voltage (1) [kV]	8 [kV]
Nominal current [A]	10 [A]
Connection technology (1)	CAGE CLAMP®
Solid sizes 1	0.08 ... 4 mm <sup>2</sup> / 28 ... 12 AWG

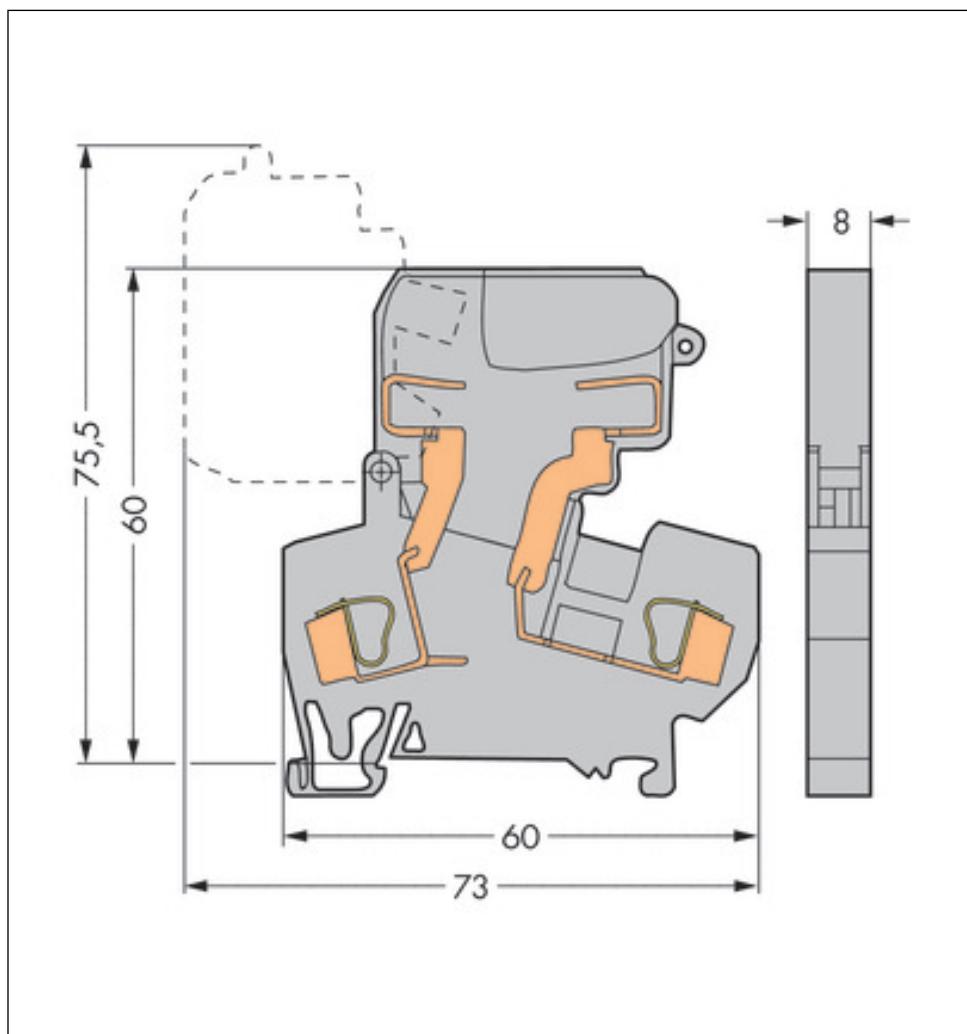
Printview: Fuse disconnect terminal block with pivoting fuse holder; for miniature fuses 5 x 20 mm; without blown fuse indication - Item No.: 281-611

<b>Technical data</b>	
<i>Fine-stranded wires 1</i>	<i>0.08 ... 4 mm<sup>2</sup> / 28 ... 12 AWG</i>
<i>Strip length 1</i>	<i>9 ... 10 mm / 0.35 ... 0.39 in</i>
<i>Type of wiring</i>	<i>Front-entry wiring</i>
<i>Design</i>	<i>angled</i>
<i>Marking level</i>	<i>Center marking</i>
<i>Insulating material</i>	<i>Polyamide 66 (PA 66)</i>
<i>Fire load [MJ]</i>	<i>0.327 [MJ]</i>
<i>Weight [g]</i>	<i>17.32 [g]</i>
<i>Width</i>	<i>8 mm / 0.315 in</i>
<i>Height from upper-edge of DIN-rail [mm]</i>	<i>60 [mm]</i>
<i>Height from upper-edge of DIN-rail</i>	<i>60 mm / 2.362 in</i>
<i>Length</i>	<i>60 mm / 2.362 in</i>
<i>Type of mounting</i>	<i>DIN 35 rail</i>
<i>Safety information 1</i>	<i>Electrical ratings are given by the fuse.</i>

Images & drawings







#### Address

WAGO Kontakttechnik GmbH & Co. KG

Hansastr. 27

32423 Minden

Telefon: 0571/887-0

Fax: 0571/887-169

<http://www.wago.com>

© WAGO Kontakttechnik GmbH & Co. KG

Technische Änderungen und Irrtümer vorbehalten.