

Fuse disconnect terminal block with pivoting fuse holder; for miniature fuses 5 x 20 mm; 120 V; with blown fuse indication by neon lamp

Item No.: 281-611/281-418



Fuse disconnect terminal block with pivoting fuse holder; for miniature fuses 5 x 20 mm; 120 V; with blown fuse indication by neon lamp

Marking

RoHS ✓
Compliant

Business data

Supplier	WAGO
Item no.	281-611/281-418
GTIN / EAN	4045454871444
Content	1
Order amount	50
Customer item number	

Notes

Safety information 1: Electrical ratings are given by the fuse and blown fuse indication.

Technical data

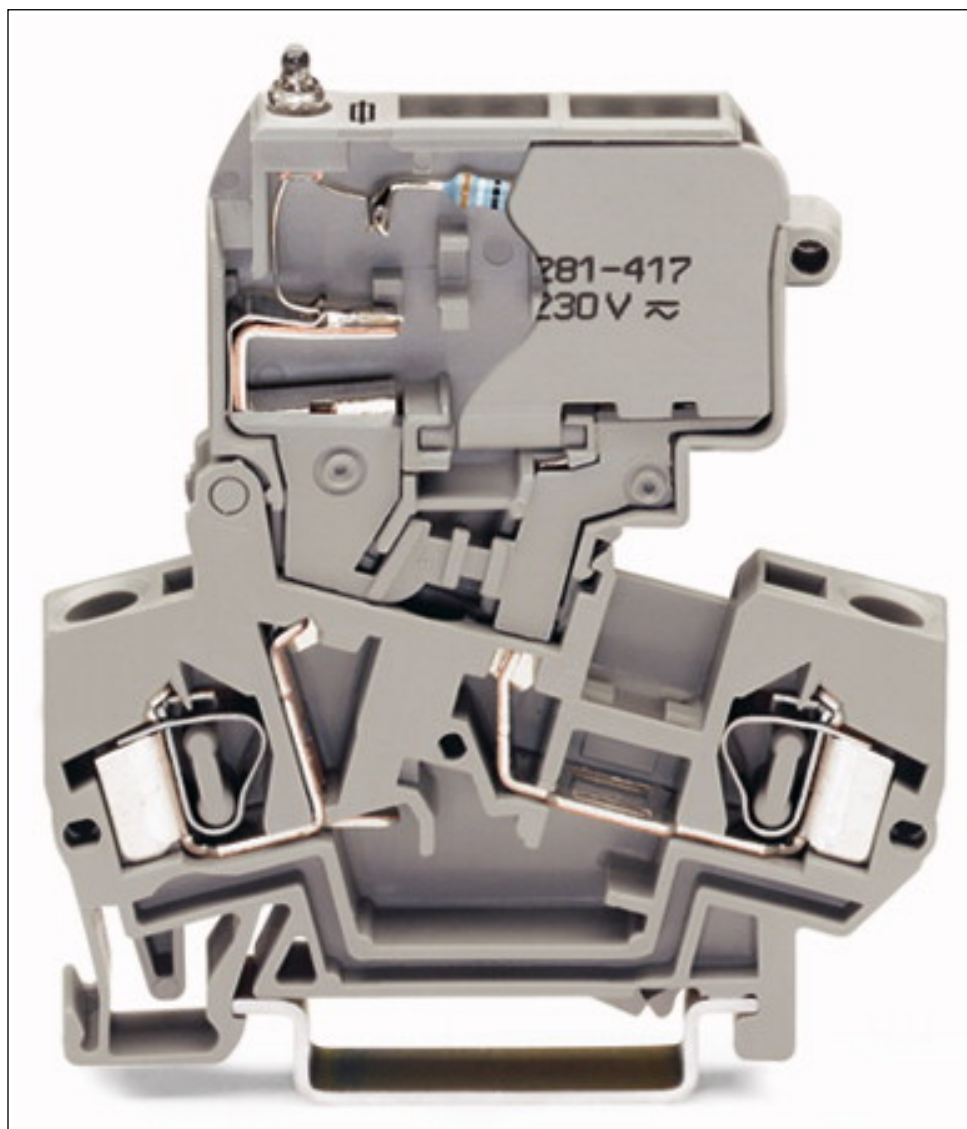
Miscellaneous

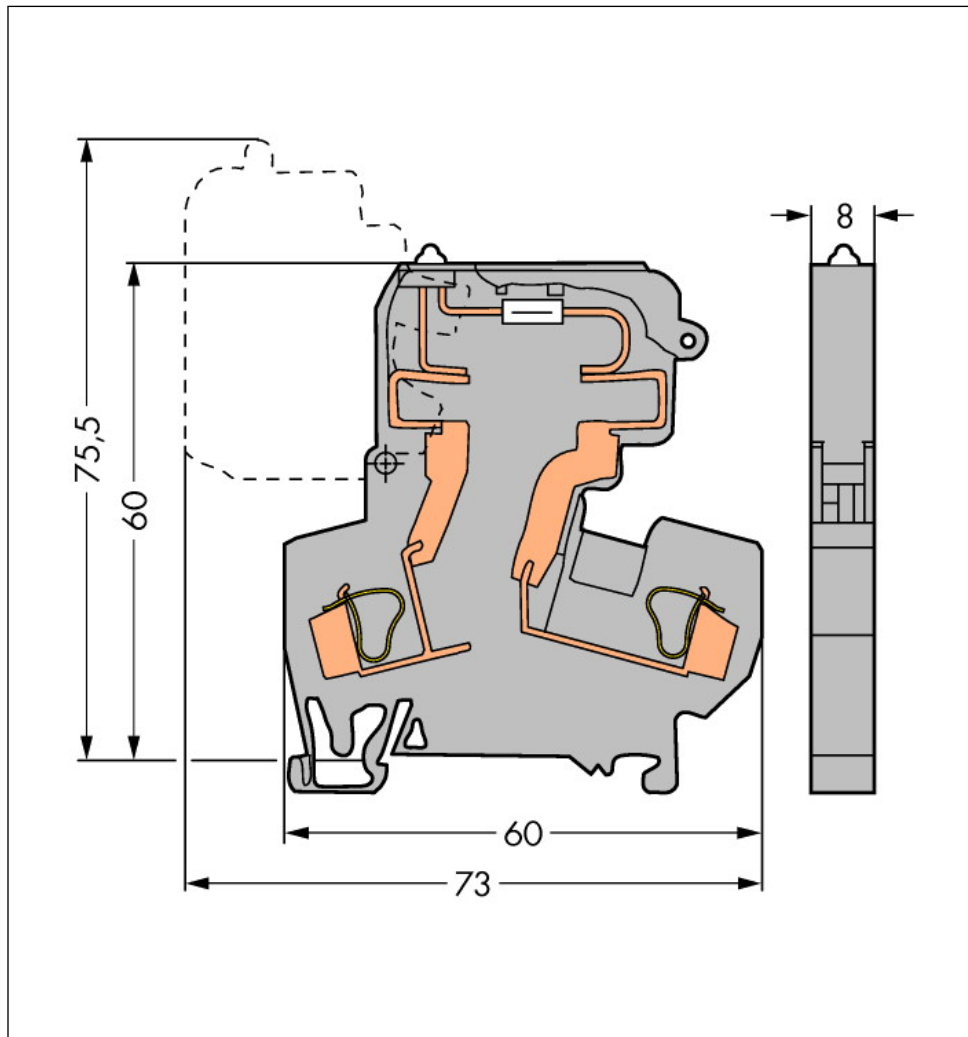
Total number of connection points	2
Total number of potentials	2
Color	gray
Ratings according to 1	IEC/EN 60947-7-3
Pollution degree (1)	3
Rated voltage EN (1) [V]	800 [V]
Rated surge voltage (1) [kV]	8 [kV]
Nominal current [A]	10 [A]

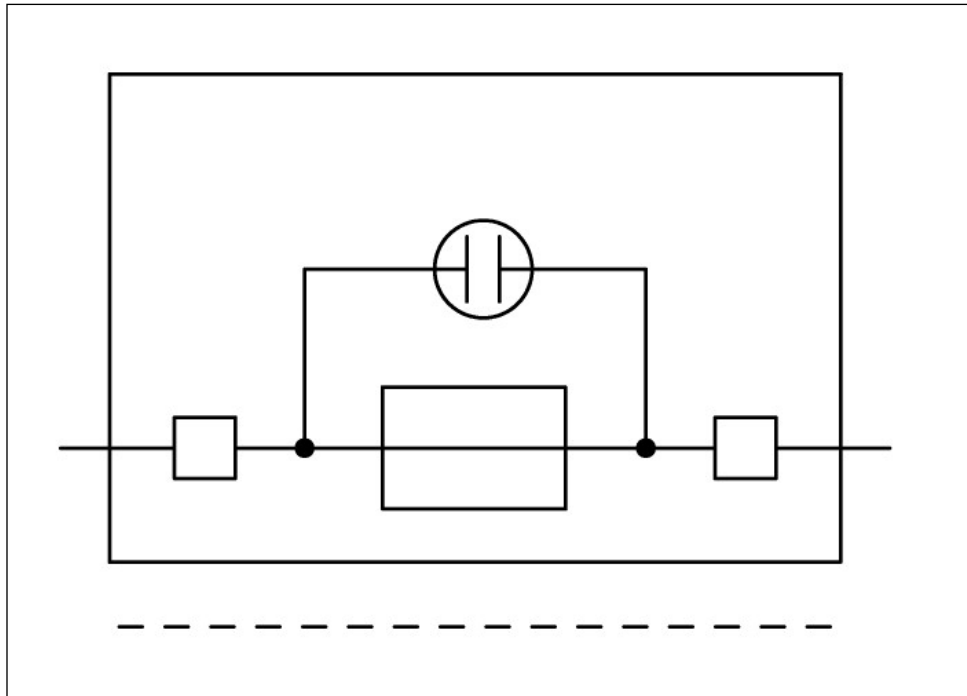
Printview: Fuse disconnect terminal block with pivoting fuse holder; for miniature fuses 5 x 20 mm; 120 V; with blown fuse indication by neon lamp - Item No.: 281-611/281-418

Technical data	
<i>Connection technology (1)</i>	<i>CAGE CLAMP®</i>
<i>Solid sizes 1</i>	<i>0.08 ... 4 mm² / 28 ... 12 AWG</i>
<i>Fine-stranded wires 1</i>	<i>0.08 ... 4 mm² / 28 ... 12 AWG</i>
<i>Strip length 1</i>	<i>9 ... 10 mm / 0.35 ... 0.39 in</i>
<i>Type of wiring</i>	<i>Front-entry wiring</i>
<i>Design</i>	<i>angled</i>
<i>Marking level</i>	<i>Center marking</i>
<i>Insulating material</i>	<i>Polyamide 66 (PA 66)</i>
<i>Fire load [MJ]</i>	<i>0.333 [MJ]</i>
<i>Weight [g]</i>	<i>17.538 [g]</i>
<i>Width</i>	<i>8 mm / 0.315 in</i>
<i>Height from upper-edge of DIN-rail [mm]</i>	<i>60 [mm]</i>
<i>Height from upper-edge of DIN-rail</i>	<i>60 mm / 2.362 in</i>
<i>Length</i>	<i>60 mm / 2.362 in</i>
<i>Type of mounting</i>	<i>DIN 35 rail</i>
<i>Safety information 2</i>	<i>Leakage current in case of blown fuse: Neon lamp < 0.4mA</i>

Images & drawings







Address

WAGO Kontakttechnik GmbH & Co. KG

Hansastr. 27

32423 Minden

Telefon: 0571/887-0

Fax: 0571/887-169

<http://www.wago.com>

© WAGO Kontakttechnik GmbH & Co. KG

Technische Änderungen und Irrtümer vorbehalten.