

Fuse disconnect terminal block with pivoting fuse holder; for miniature fuses 5 x 20 mm; 15 ... 30 V; with blown fuse indication by led

Item No.: 281-611/281-541



Fuse disconnect terminal block with pivoting fuse holder; for miniature fuses 5 x 20 mm; 15 ... 30 V; with blown fuse indication by led

Marking

RoHS ✓
Compliant

Business data

| | |
|----------------------|-----------------|
| Supplier | WAGO |
| Item no. | 281-611/281-541 |
| GTIN / EAN | 4045454871451 |
| Content | 1 |
| Order amount | 50 |
| Customer item number | |

Notes

Safety information 1: Electrical ratings are given by the fuse and blown fuse indication.

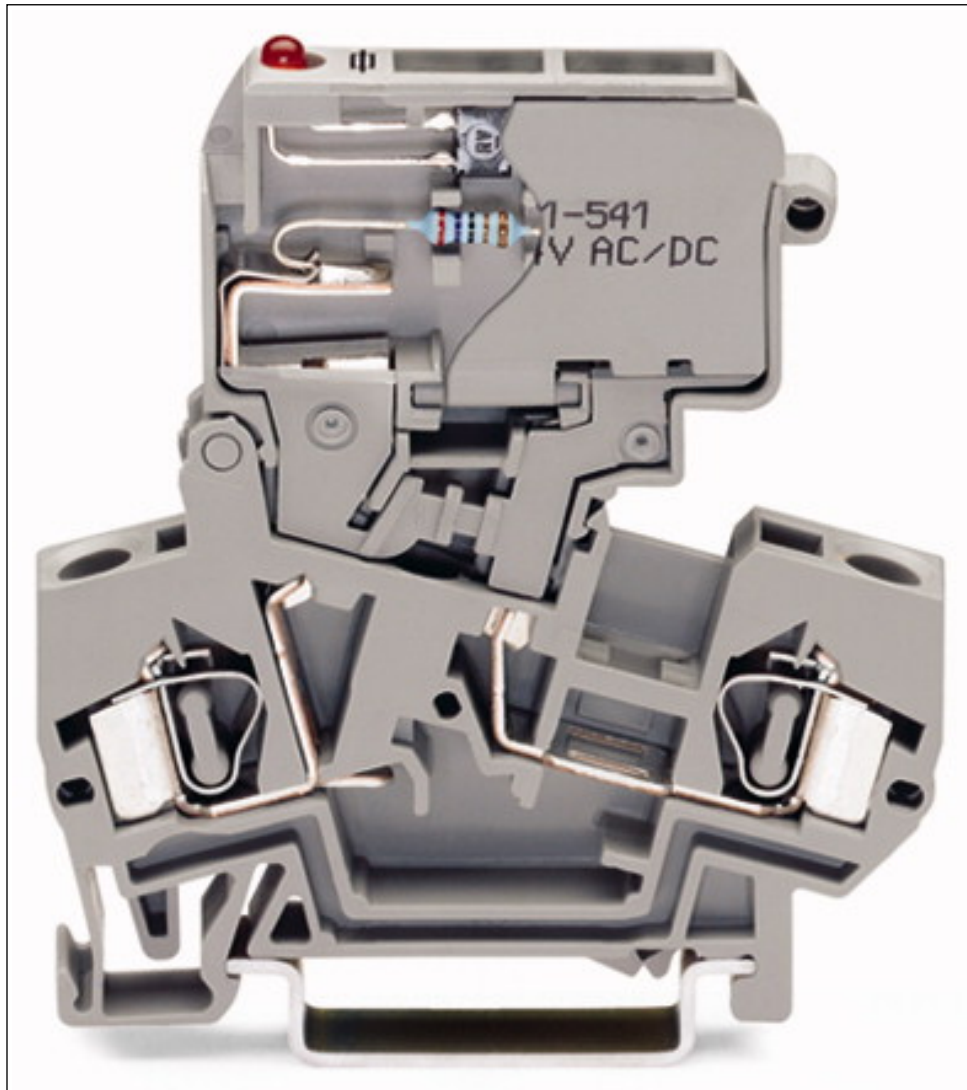
Technical data

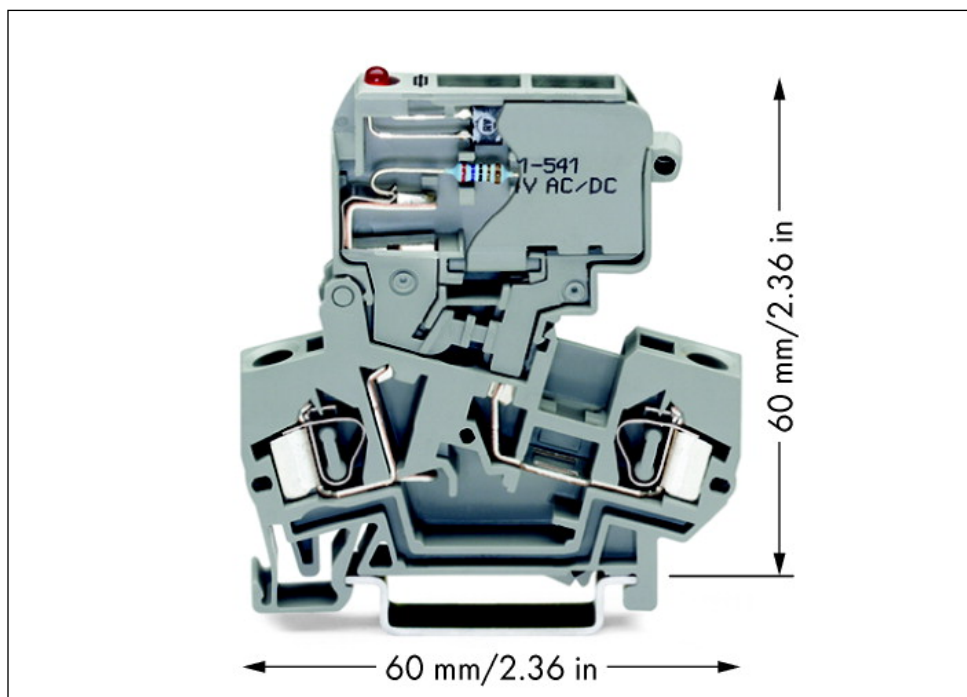
Miscellaneous

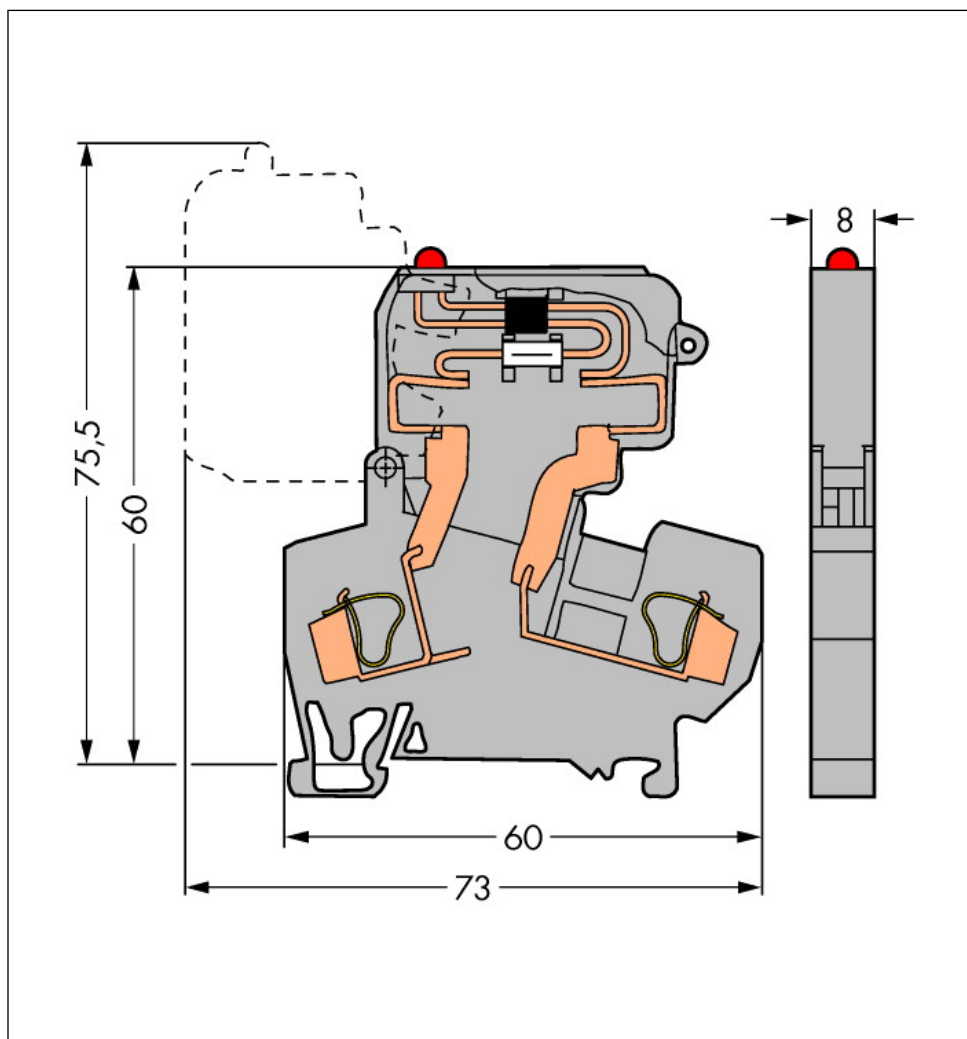
| | |
|-----------------------------------|------------------|
| Total number of connection points | 2 |
| Total number of potentials | 2 |
| Color | gray |
| Ratings according to 1 | IEC/EN 60947-7-3 |
| Pollution degree (1) | 3 |
| Rated voltage EN (1) [V] | 800 [V] |
| Rated surge voltage (1) [kV] | 8 [kV] |
| Nominal current [A] | 10 [A] |

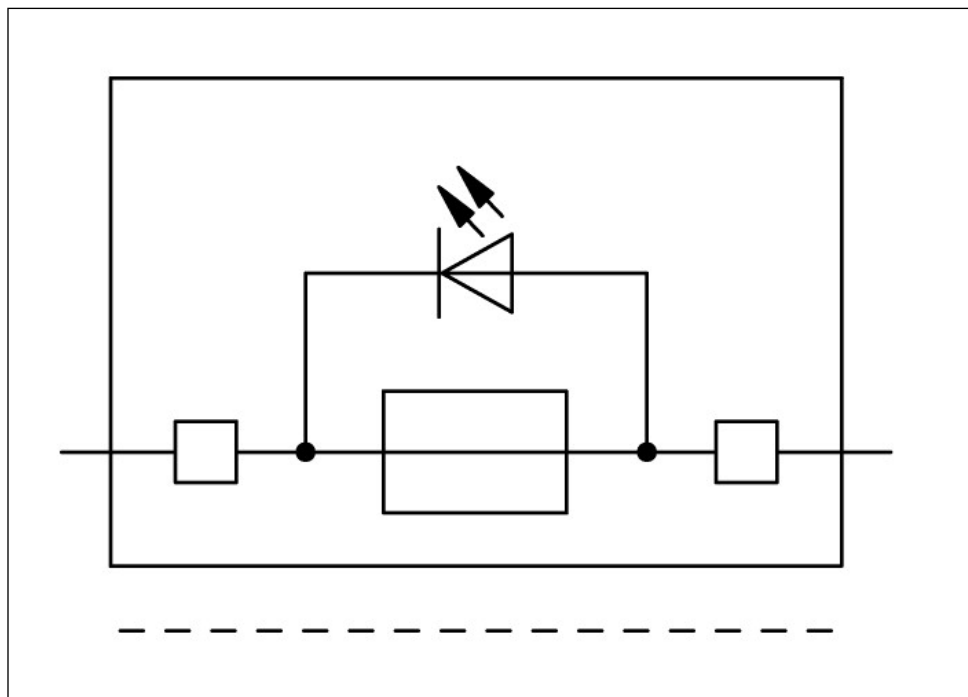
| Technical data | |
|--|---|
| <i>Connection technology (1)</i> | <i>CAGE CLAMP®</i> |
| <i>Solid sizes 1</i> | <i>0.08 ... 4 mm² / 28 ... 12 AWG</i> |
| <i>Fine-stranded wires 1</i> | <i>0.08 ... 4 mm² / 28 ... 12 AWG</i> |
| <i>Strip length 1</i> | <i>9 ... 10 mm / 0.35 ... 0.39 in</i> |
| <i>Type of wiring</i> | <i>Front-entry wiring</i> |
| <i>Design</i> | <i>angled</i> |
| <i>Marking level</i> | <i>Center marking</i> |
| <i>Insulating material</i> | <i>Polyamide 66 (PA 66)</i> |
| <i>Fire load [MJ]</i> | <i>0.336 [MJ]</i> |
| <i>Weight [g]</i> | <i>17.827 [g]</i> |
| <i>Width</i> | <i>8 mm / 0.315 in</i> |
| <i>Height from upper-edge of DIN-rail [mm]</i> | <i>60 [mm]</i> |
| <i>Height from upper-edge of DIN-rail</i> | <i>60 mm / 2.362 in</i> |
| <i>Length</i> | <i>60 mm / 2.362 in</i> |
| <i>Type of mounting</i> | <i>DIN 35 rail</i> |
| <i>Safety information 2</i> | <i>Leakage current in case of blown fuse: LED 6mA</i> |

Images & drawings









Address

WAGO Kontakttechnik GmbH & Co. KG

Hansastr. 27

32423 Minden

Telefon: 0571/887-0

Fax: 0571/887-169

<http://www.wago.com>

© WAGO Kontakttechnik GmbH & Co. KG

Technische Änderungen und Irrtümer vorbehalten.