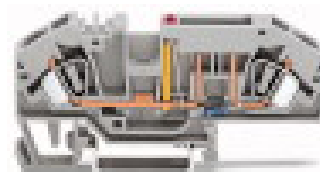


**2-conductor fuse terminal block for mini-automotive blade-style fuses; with test option; 24 V; with blown fuse indication by led; Power consumption LED: 4.8 mA**

Item No.: 282-698/281-413



2-conductor fuse terminal block for mini-automotive blade-style fuses; with test option; 24 V; with blown fuse indication by led; Power consumption LED: 4.8 mA

### Marking

RoHS ✓  
Compliant

### Business data

Supplier	WAGO
Item no.	282-698/281-413
GTIN / EAN	4050821234555
Content	1
Order amount	25
Customer item number	

### Notes

Safety information 1: Electrical ratings are given by the fuse and blown fuse indication. Safety information 2: Blade-style fuses, please note touchproof protection for 42V and higher.

### Technical data

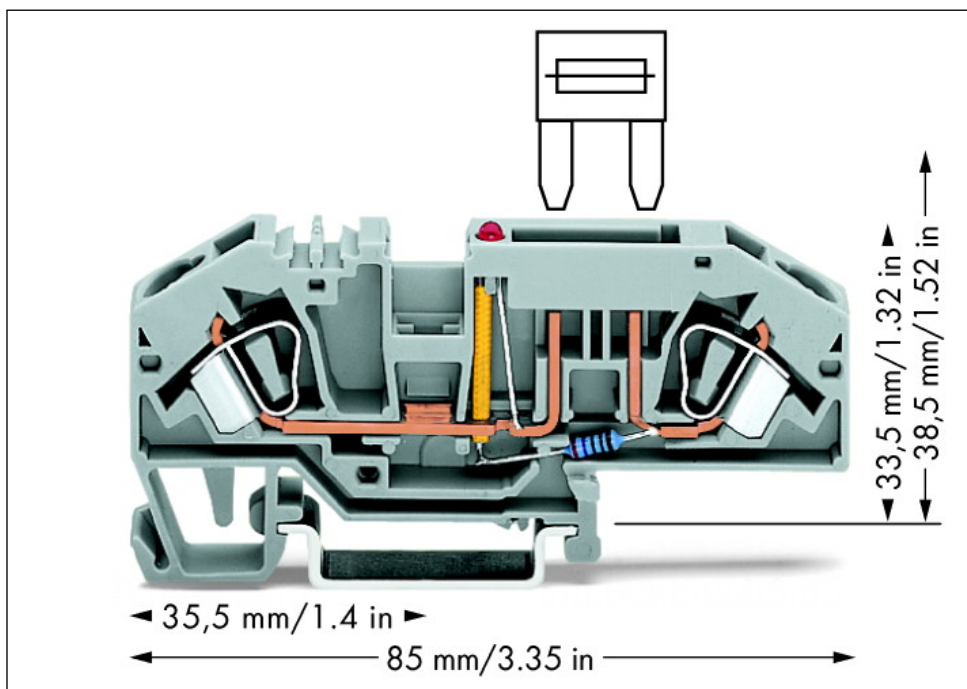
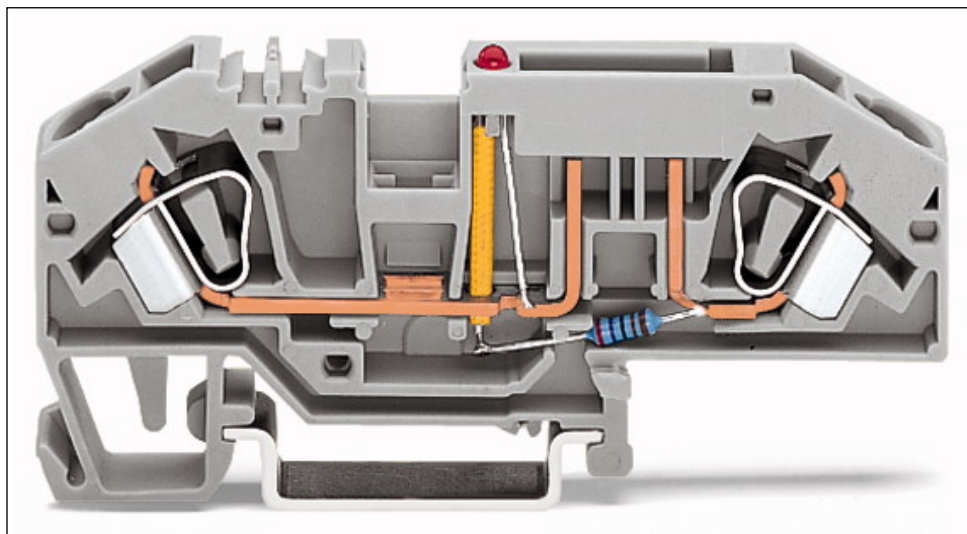
#### Miscellaneous

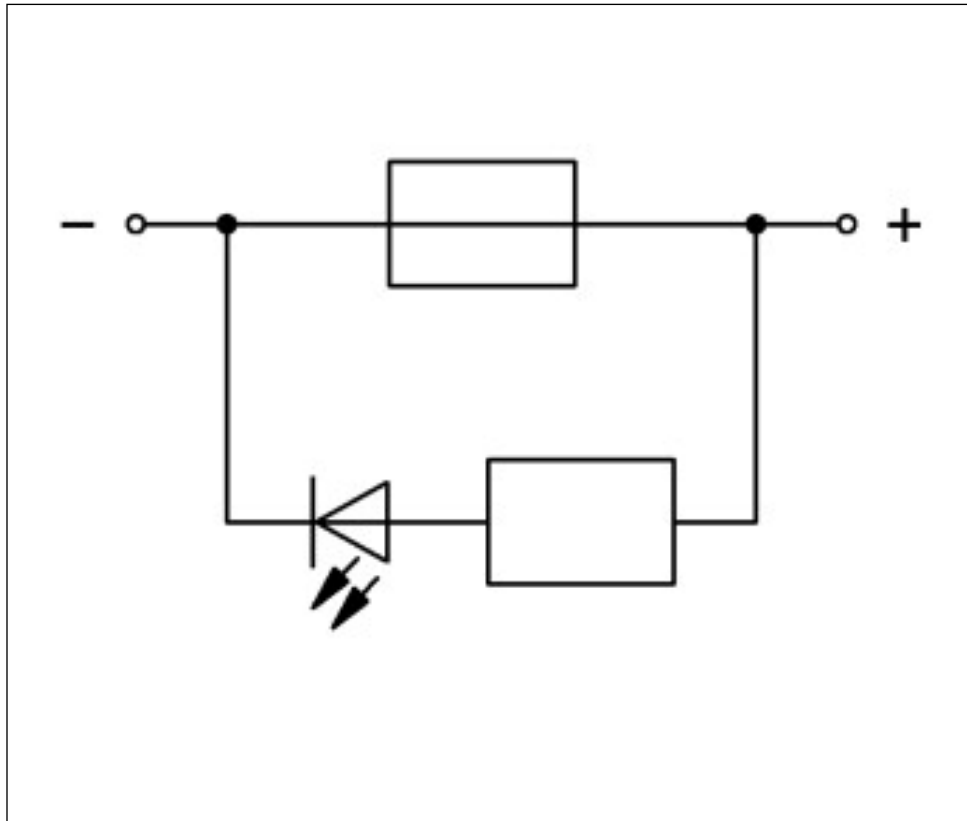
Total number of connection points	2
Total number of potentials	2
Color	gray
Pollution degree (1)	3
Rated voltage EN (1) [V]	400 [V]
Rated surge voltage (1) [kV]	6 [kV]
Nominal current [A]	25 [A]

Printview: 2-conductor fuse terminal block for mini-automotive blade-style fuses; with test option; 24 V; with blown fuse indication by led; Power consumption LED: 4.8 mA - Item No.: 282-698/281-413

<b>Technical data</b>	
<i>Nominal current (2) [A]</i>	<i>30 [A]</i>
<i>Connection technology (1)</i>	<i>CAGE CLAMP®</i>
<i>Solid sizes 1</i>	<i>0.2 ... 6 mm<sup>2</sup> / 24 ... 10 AWG</i>
<i>Fine-stranded wires 1</i>	<i>0.2 ... 6 mm<sup>2</sup> / 24 ... 10 AWG</i>
<i>Strip length 1</i>	<i>12 ... 13 mm / 0.47 ... 0.51 in</i>
<i>Type of wiring</i>	<i>Front-entry wiring</i>
<i>Design</i>	<i>angled</i>
<i>Marking level</i>	<i>Center marking</i>
<i>Insulating material</i>	<i>Polyamide 66 (PA 66)</i>
<i>Fire load [MJ]</i>	<i>0.299 [MJ]</i>
<i>Weight [g]</i>	<i>17.626 [g]</i>
<i>Width</i>	<i>8 mm / 0.315 in</i>
<i>Height from upper-edge of DIN-rail [mm]</i>	<i>33.5 [mm]</i>
<i>Height from upper-edge of DIN-rail</i>	<i>33.5 mm / 1.319 in</i>
<i>Length</i>	<i>85 mm / 3.346 in</i>
<i>Type of mounting</i>	<i>DIN 35 rail</i>

Images & drawings





#### Address

WAGO Kontakttechnik GmbH & Co. KG

Hansastr. 27

32423 Minden

Telefon: 0571/887-0

Fax: 0571/887-169

<http://www.wago.com>

© WAGO Kontakttechnik GmbH & Co. KG

Technische Änderungen und Irrtümer vorbehalten.