

## Service connector

Item No.: 224-201



Service connector

### Marking

RoHS ✓  
Compliant

### Business data

Supplier	WAGO
Item no.	224-201
GTIN / EAN	4044918818407
Content	1
Order amount	50
Customer item number	

### Notes

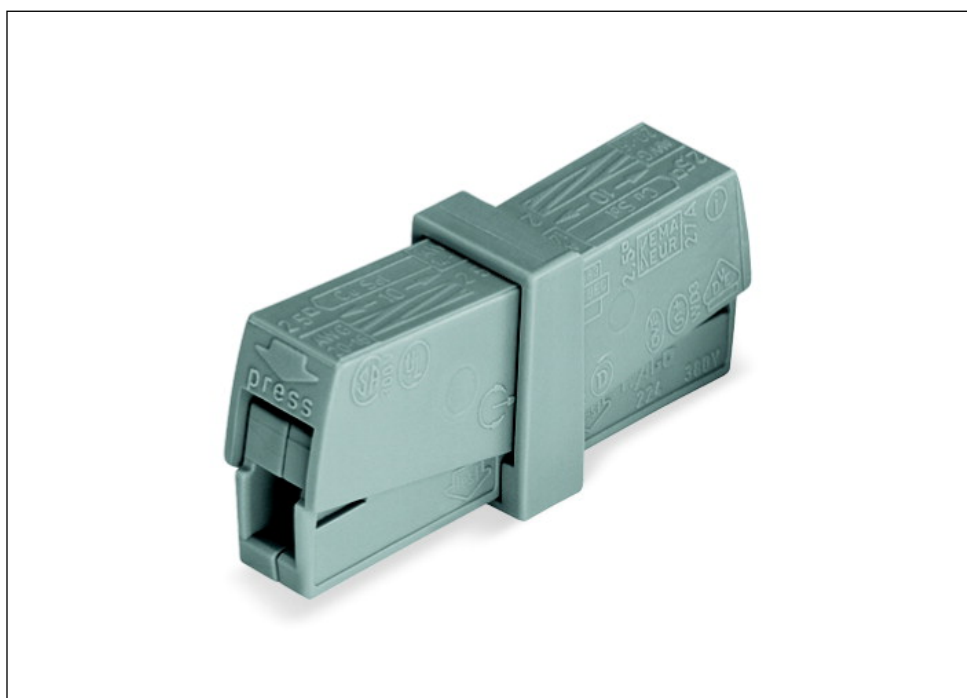
### Technical data

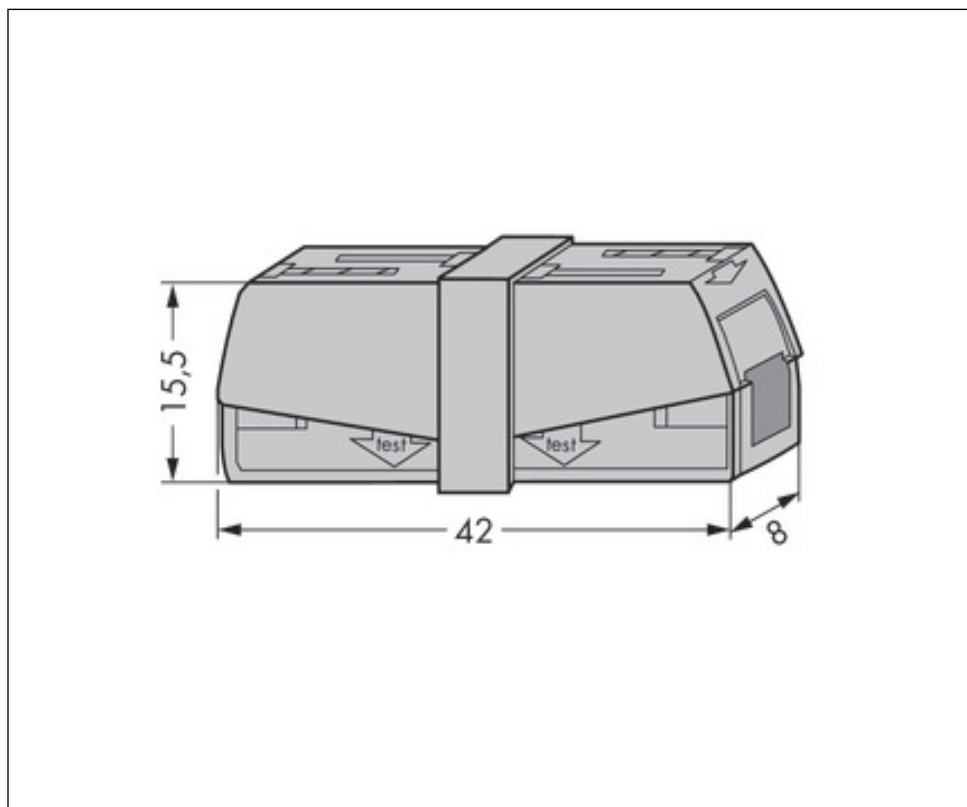
#### Miscellaneous

Total number of connection points	2
Total number of potentials	1
Color	gray
Pollution degree (1)	2
Rated voltage EN (1) [V]	400 [V]
Rated surge voltage (1) [kV]	4 [kV]
Nominal current [A]	24 [A]
Connection technology (1)	CAGE CLAMP®
Solid sizes 1	0.5 ... 2.5 mm <sup>2</sup> / 20 ... 16 AWG
Fine-stranded wires 1	0.5 ... 2.5 mm <sup>2</sup> / 20 ... 16 AWG

<b>Technical data</b>	
<i>Strip length 1</i>	<i>9 ... 11 mm / 0.35 ... 0.43 in</i>
<i>Type of wiring</i>	<i>Side-entry wiring</i>
<i>Fire load [MJ]</i>	<i>0.099 [MJ]</i>
<i>Weight [g]</i>	<i>5 [g]</i>
<i>Width</i>	<i>8 mm / 0.315 in</i>
<i>Height</i>	<i>15.5 mm / 0.61 in</i>
<i>Length</i>	<i>42 mm / 1.654 in</i>
<i>Safety information 1</i>	<i>In grounded power lines</i>

Images & drawings





#### Address

WAGO Kontakttechnik GmbH & Co. KG

Hansastr. 27

32423 Minden

Telefon: 0571/887-0

Fax: 0571/887-169

<http://www.wago.com>

© WAGO Kontakttechnik GmbH & Co. KG

Technische Änderungen und Irrtümer vorbehalten.