

2-conductor fuse terminal block; for miniature metric fuses; without indicator; 5 x 20 mm

Item No.: 282-122



2-conductor fuse terminal block; for miniature metric fuses; without indicator; 5 x 20 mm

Marking

RoHS ✓
Compliant

Business data

Supplier	WAGO
Item no.	282-122
GTIN / EAN	4044918562027
Content	1
Order amount	40
Customer item number	

Notes

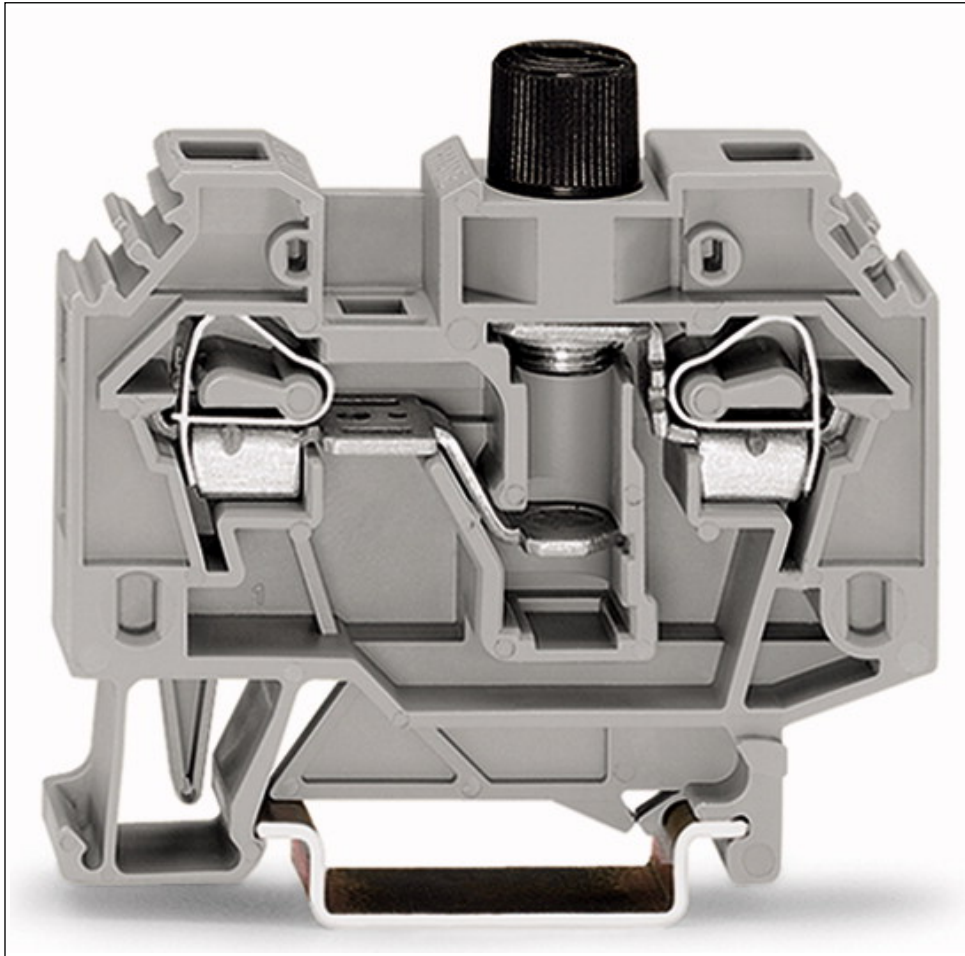
Technical data

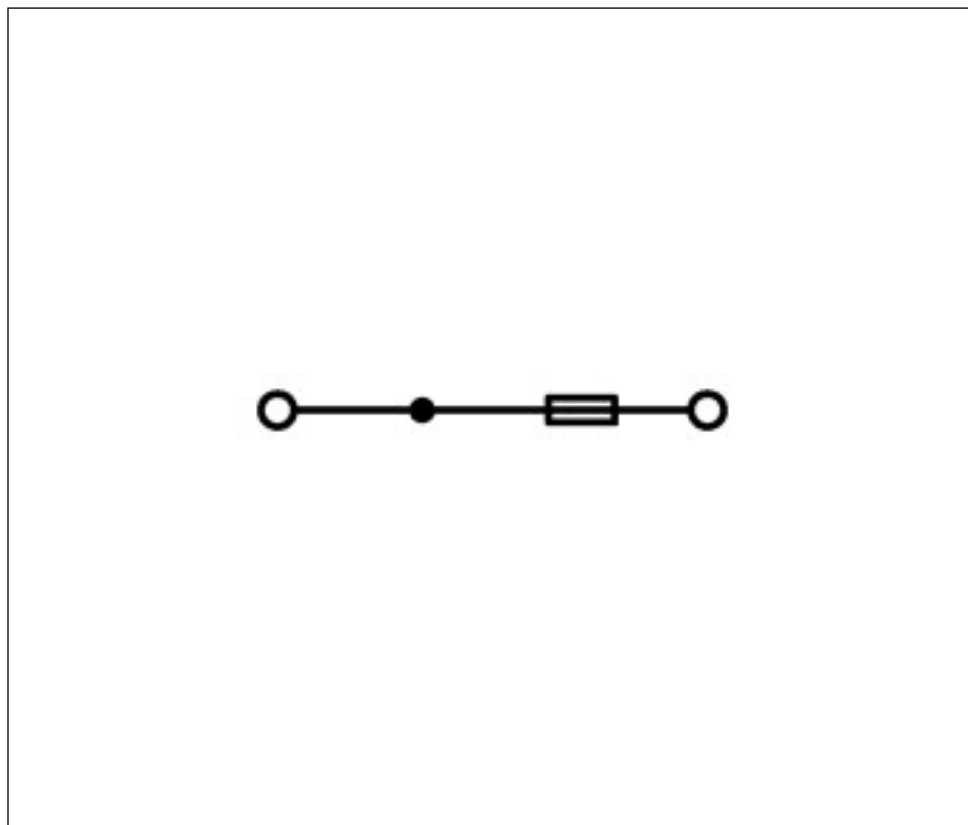
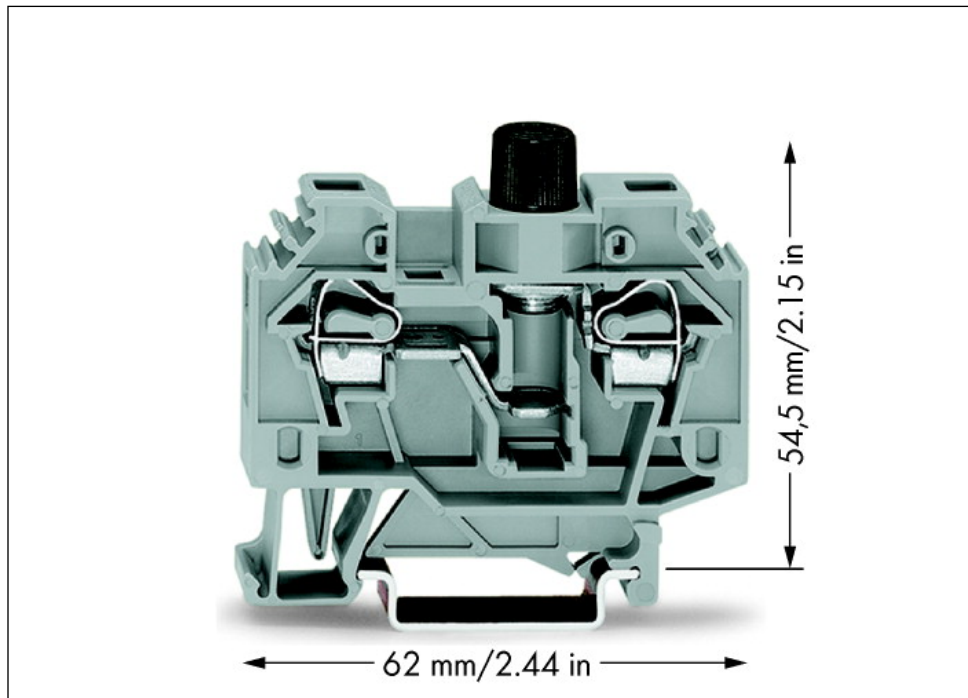
Miscellaneous

Total number of connection points	2
Total number of potentials	2
Color	gray
Pollution degree (1)	3
Rated voltage EN (1) [V]	500 [V]
Rated surge voltage (1) [kV]	6 [kV]
Nominal current [A]	10 [A]
Connection technology (1)	CAGE CLAMP®
Solid sizes 1	0.2 ... 6 mm ² / 24 ... 10 AWG

Technical data	
<i>Fine-stranded wires 1</i>	<i>0.2 ... 6 mm² / 24 ... 10 AWG</i>
<i>Strip length 1</i>	<i>12 ... 13 mm / 0.47 ... 0.51 in</i>
<i>Type of wiring</i>	<i>Side-entry wiring</i>
<i>Design</i>	<i>horizontal</i>
<i>Marking level</i>	<i>Side marking</i>
<i>Fire load [MJ]</i>	<i>0.536 [MJ]</i>
<i>Weight [g]</i>	<i>25.867 [g]</i>
<i>Width</i>	<i>13 mm / 0.512 in</i>
<i>Height from upper-edge of DIN-rail [mm]</i>	<i>54.5 [mm]</i>
<i>Height from upper-edge of DIN-rail</i>	<i>54.5 mm / 2.146 in</i>
<i>Length</i>	<i>62 mm / 2.441 in</i>
<i>Type of mounting</i>	<i>DIN 35 rail</i>

Images & drawings





Address

WAGO Kontakttechnik GmbH & Co. KG

Hansastr. 27

32423 Minden

Telefon: 0571/887-0

Fax: 0571/887-169

<http://www.wago.com>

© WAGO Kontakttechnik GmbH & Co. KG

Technische Änderungen und Irrtümer vorbehalten.