

### 3-conductor through terminal block; suitable for Ex e II applications

Item No.: 2001-1301



3-conductor through terminal block; suitable for Ex e II applications

#### Marking

RoHS ✓  
Compliant

#### Business data

Supplier	WAGO
Item no.	2001-1301
GTIN / EAN	4017332998628
Content	1
Order amount	100
Customer item number	

#### Notes

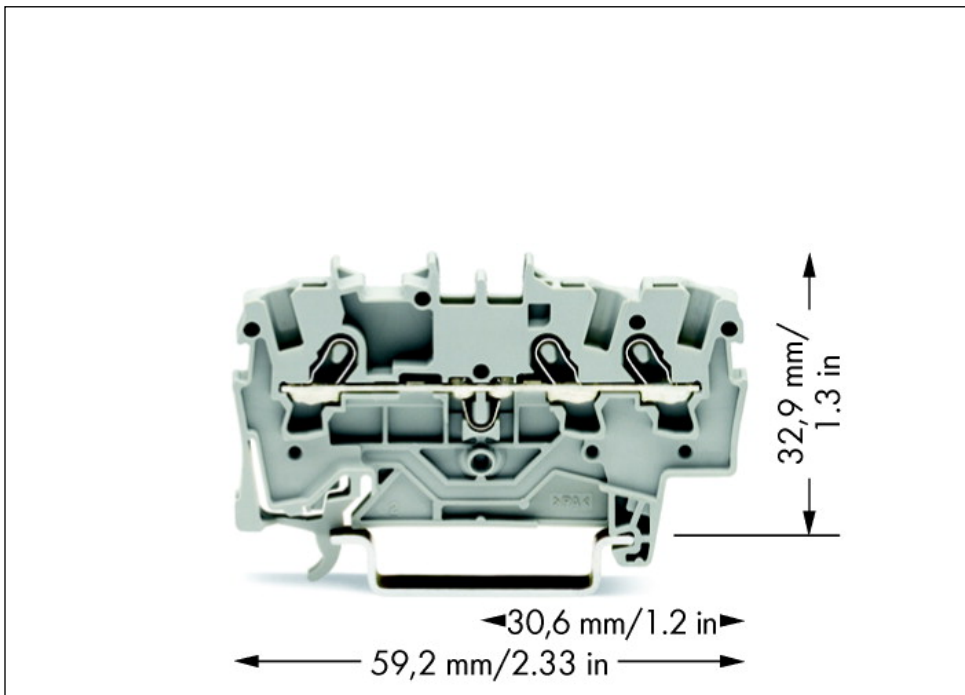
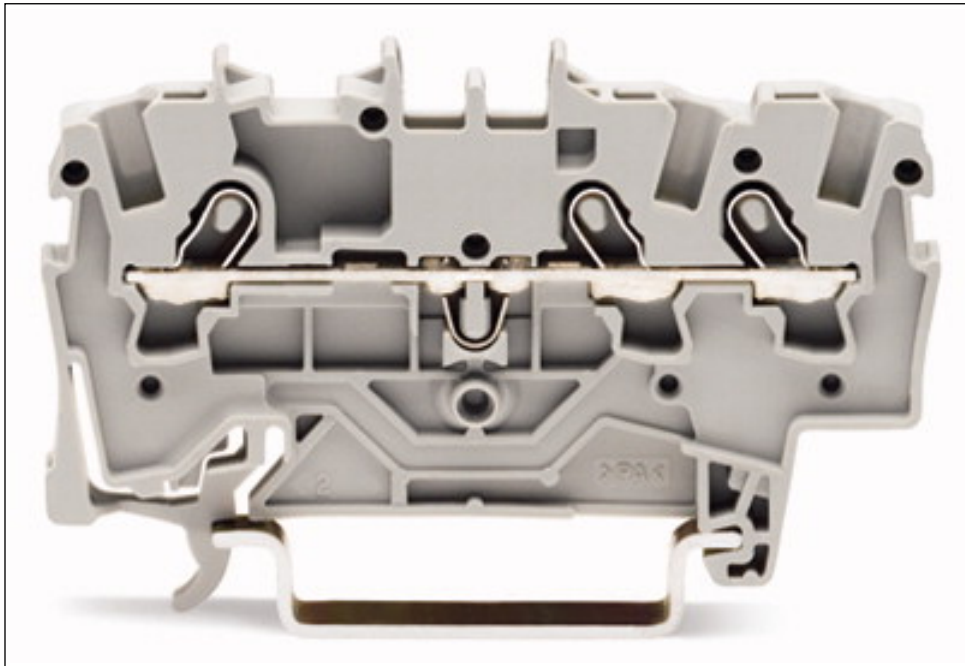
#### Technical data

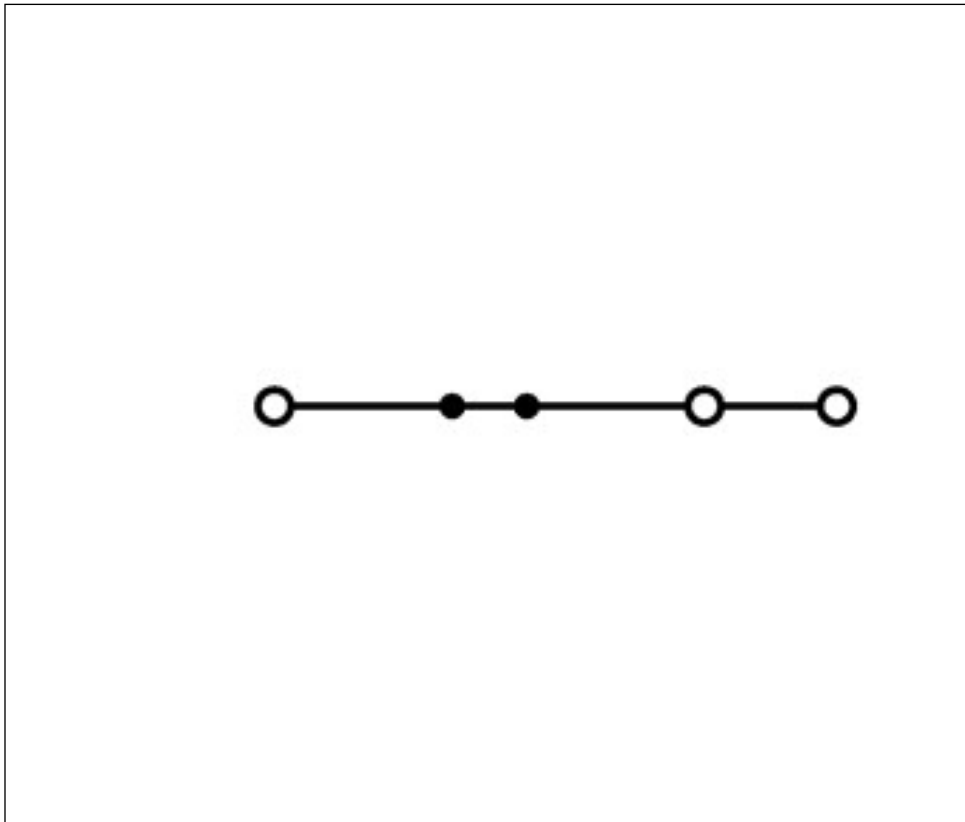
##### Miscellaneous

Total number of connection points	3
Total number of potentials	1
Color	gray
Ratings according to 1	IEC/EN 60947-7-1
Pollution degree (1)	3
Rated voltage EN (1) [V]	800 [V]
Rated surge voltage (1) [kV]	8 [kV]
Nominal current [A]	18 [A]
Nominal current (2) [A]	24 [A]
Rated voltage EN (Ex e II) [V]	550 [V]

<b>Technical data</b>	
<i>Nominal current (Ex e II) [A]</i>	<i>17 [A]</i>
<i>Nominal current (Ex e II) with jumper [A]</i>	<i>16 [A]</i>
<i>Connection technology (1)</i>	<i>Push-in CAGE CLAMP®</i>
<i>Nominal cross section 1</i>	<i>1.5 mm<sup>2</sup></i>
<i>Solid sizes 1</i>	<i>0.25 ... 2.5 mm<sup>2</sup> / 22 ... 14 AWG</i>
<i>solid, directly pluggable 1</i>	<i>0.5 ... 2.5 mm<sup>2</sup> / 20 ... 14 AWG</i>
<i>Fine-stranded wires 1</i>	<i>0.25 ... 2.5 mm<sup>2</sup> / 22 ... 14 AWG</i>
<i>min. fine-stranded with insulated ferrule, push-in terminati</i>	<i>0.75 mm<sup>2</sup> / 18 AWG</i>
<i>Strip length 1</i>	<i>9 ... 11 mm / 0.35 ... 0.43 in</i>
<i>Type of wiring</i>	<i>Front-entry wiring</i>
<i>Design</i>	<i>horizontal</i>
<i>Marking level</i>	<i>Center/Side marking</i>
<i>Insulating material</i>	<i>Polyamide 66 (PA 66)</i>
<i>Fire load [MJ]</i>	<i>0.093 [MJ]</i>
<i>Weight [g]</i>	<i>4.326 [g]</i>
<i>Width</i>	<i>4.2 mm / 0.165 in</i>
<i>Height from upper-edge of DIN-rail [mm]</i>	<i>32.9 [mm]</i>
<i>Height from upper-edge of DIN-rail</i>	<i>32.9 mm / 1.295 in</i>
<i>Length</i>	<i>59.2 mm / 2.33 in</i>
<i>Type of mounting</i>	<i>DIN 35 rail</i>

Images & drawings





#### Address

WAGO Kontakttechnik GmbH & Co. KG

Hansastr. 27

32423 Minden

Telefon: 0571/887-0

Fax: 0571/887-169

<http://www.wago.com>

© WAGO Kontakttechnik GmbH & Co. KG

Technische Änderungen und Irrtümer vorbehalten.