

## 2-conductor through terminal block; suitable for Ex e II applications; suitable for Ex i applications

Item No.: 2000-1204



2-conductor through terminal block; suitable for Ex e II applications; suitable for Ex i applications

### Marking

RoHS ✓  
Compliant

### Business data

Supplier	WAGO
Item no.	2000-1204
GTIN / EAN	4045454966799
Content	1
Order amount	100
Customer item number	

### Notes

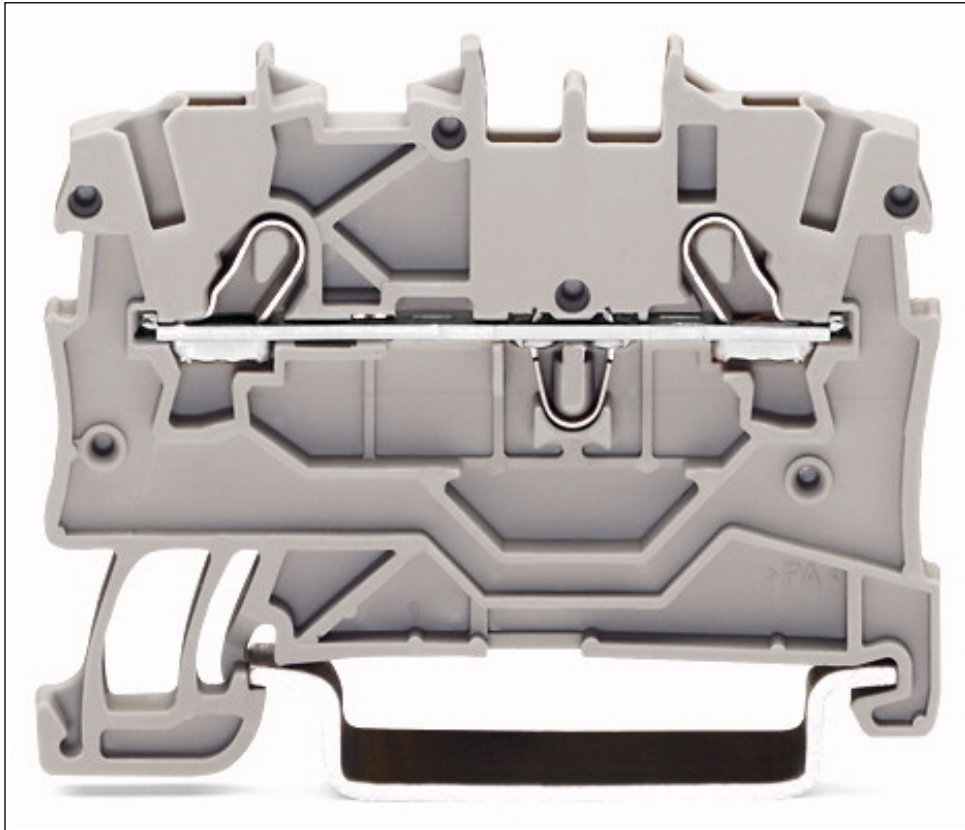
### Technical data

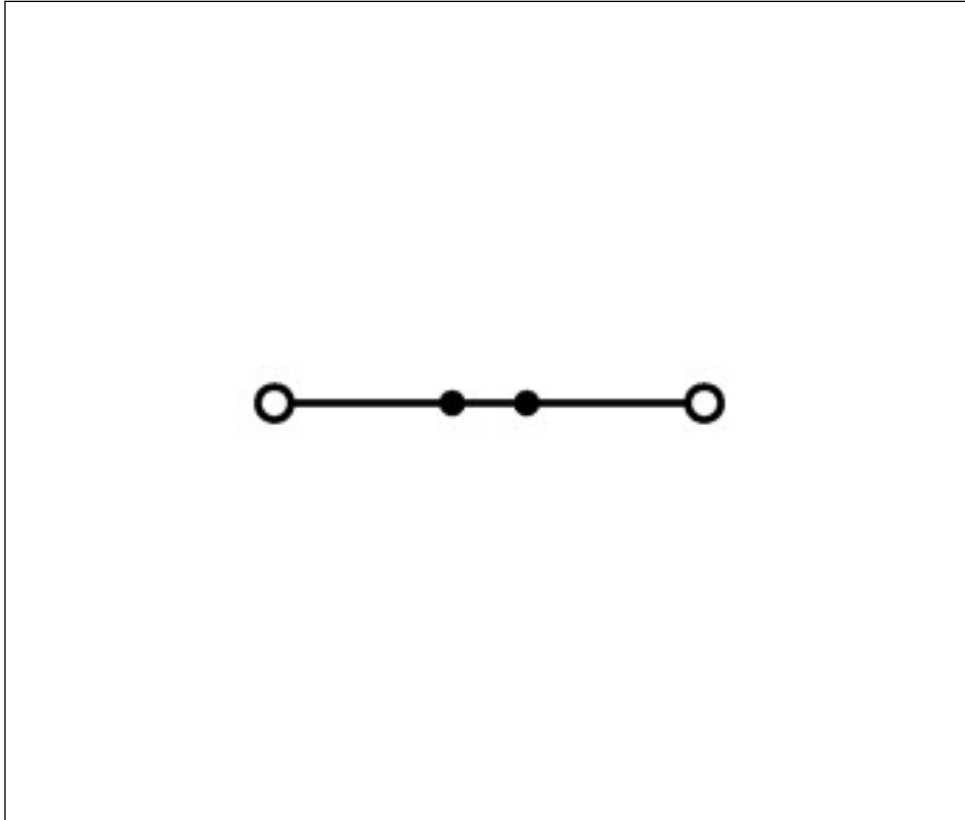
#### Miscellaneous

Total number of connection points	2
Total number of potentials	1
Color	blue
Ratings according to 1	IEC/EN 60947-7-1
Pollution degree (1)	3
Rated voltage EN (1) [V]	800 [V]
Rated surge voltage (1) [kV]	8 [kV]
Nominal current [A]	13.5 [A]
Nominal current (2) [A]	18 [A]

<b>Technical data</b>	
<i>Rated voltage EN (Ex e II) [V]</i>	<i>550 [V]</i>
<i>Nominal current (Ex e II) [A]</i>	<i>13 [A]</i>
<i>Nominal current (Ex e II) with jumper [A]</i>	<i>12 [A]</i>
<i>Connection technology (1)</i>	<i>Push-in CAGE CLAMP®</i>
<i>Nominal cross section 1</i>	<i>1 mm<sup>2</sup></i>
<i>Solid sizes 1</i>	<i>0.14 ... 1.5 mm<sup>2</sup> / 24 ... 16 AWG</i>
<i>solid, directly pluggable 1</i>	<i>0.5 ... 1.5 mm<sup>2</sup> / 20 ... 16 AWG</i>
<i>Fine-stranded wires 1</i>	<i>0.14 ... 1.5 mm<sup>2</sup> / 24 ... 16 AWG</i>
<i>min. fine-stranded with insulated ferrule, push-in terminati</i>	<i>0.5 mm<sup>2</sup> / 20 AWG</i>
<i>Strip length 1</i>	<i>9 ... 11 mm / 0.35 ... 0.43 in</i>
<i>Type of wiring</i>	<i>Front-entry wiring</i>
<i>Design</i>	<i>horizontal</i>
<i>Marking level</i>	<i>Center/Side marking</i>
<i>Insulating material</i>	<i>Polyamide 66 (PA 66)</i>
<i>Fire load [MJ]</i>	<i>0.079 [MJ]</i>
<i>Weight [g]</i>	<i>3.58 [g]</i>
<i>Width</i>	<i>3.5 mm / 0.138 in</i>
<i>Height from upper-edge of DIN-rail [mm]</i>	<i>32.9 [mm]</i>
<i>Height from upper-edge of DIN-rail</i>	<i>32.9 mm / 1.295 in</i>
<i>Length</i>	<i>48.5 mm / 1.909 in</i>
<i>Type of mounting</i>	<i>DIN 35 rail</i>

Images & drawings





#### Address

WAGO Kontakttechnik GmbH & Co. KG

Hansastr. 27

32423 Minden

Telefon: 0571/887-0

Fax: 0571/887-169

<http://www.wago.com>

© WAGO Kontakttechnik GmbH & Co. KG

Technische Änderungen und Irrtümer vorbehalten.