

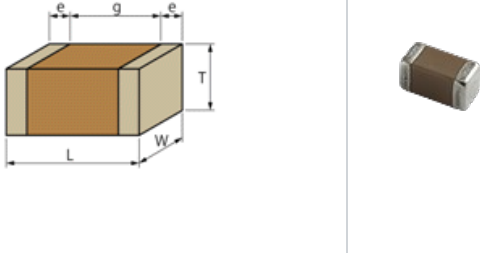
GRMMDXR60J105ME05#

"#" indicates a package specification code.

New
In Production
General
85°C
Reflow OK
RoHS
REACH
Derating 1
For only mobile devices

< List of part numbers with package codes >
 GRMMDXR60J105ME05D , GRMMDXR60J105ME05J

Shape



L size	0.5 ±0.025mm
W size	0.25 ±0.025mm
T size	0.25 ±0.025mm
External terminal width e	0.08 to 0.17mm
Distance between external terminals g	0.16mm min.
Size code in inch(mm)	015008 (05025M)

Notes

Derating1.
 Only for mobile devices

References

Packaging	Specifications	Minimum quantity
D	φ 180mm Paper taping	15000
J	φ 330mm Paper taping	50000

Mass (typ.)	
1 piece	0.18mg

Specifications

Capacitance	1.0μF ±20%
Rated voltage	6.3Vdc
Temperature characteristics (complied standard)	X5R(EIA)
Capacitance change rate	±15.0%
Temperature range of temperature characteristics	-55 to 85°C
Operating temperature range	-55 to 85°C

⚠ Attention

- 1.This datasheet is downloaded from the website of Murata Manufacturing Co., Ltd. Therefore, it's specifications are subject to change or our products in it may be discontinued without advance notice. Please check with our sales representatives or product engineers before ordering.
- 2.This datasheet has only typical specifications because there is no space for detailed specifications. Therefore, please review our product specifications or consult the approval sheet for product specifications before ordering.