

## Male connector

Item No.: 231-603



Male connector

### Marking

RoHS ✓  
Compliant

### Business data

Supplier	WAGO
Item no.	231-603
GTIN / EAN	4044918256605
Content	1
Order amount	100
Customer item number	

### Notes

Universal connection for all conductor types  
Easy cable pre-assembly and on-unit wiring via vertical and horizontal  
CAGE CLAMP® actuation  
For "wire-to-wire" and "board-to-wire" connections  
Coding option available

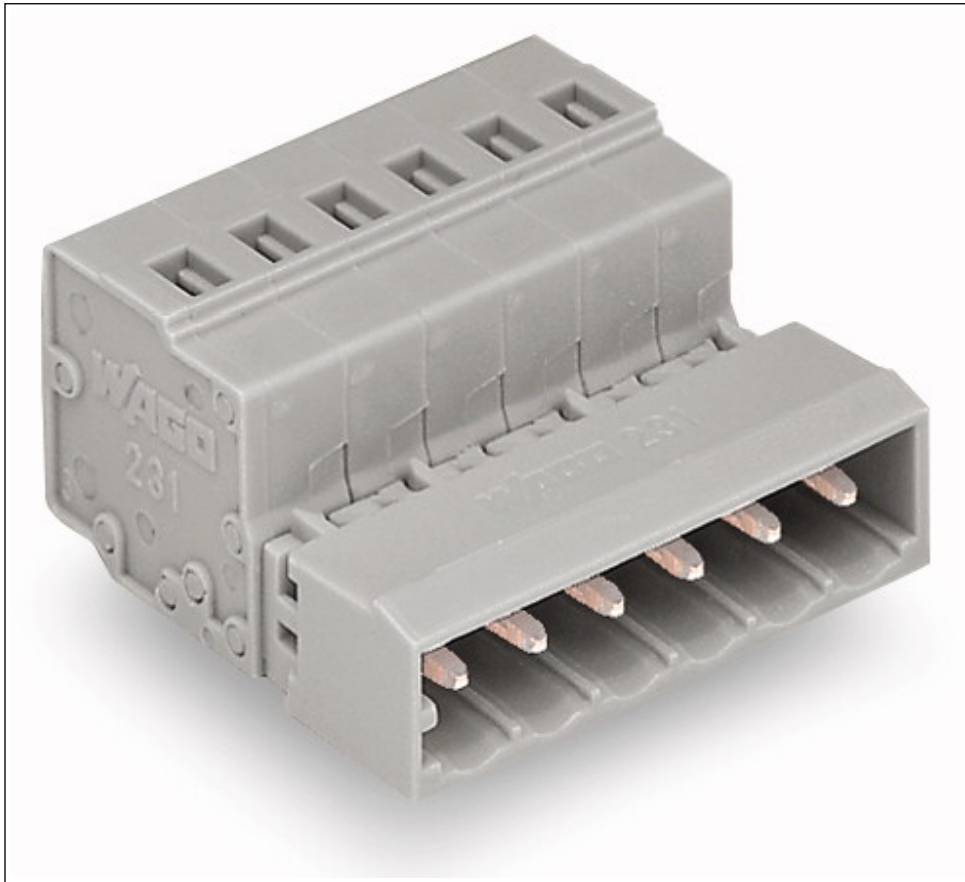
### Technical data

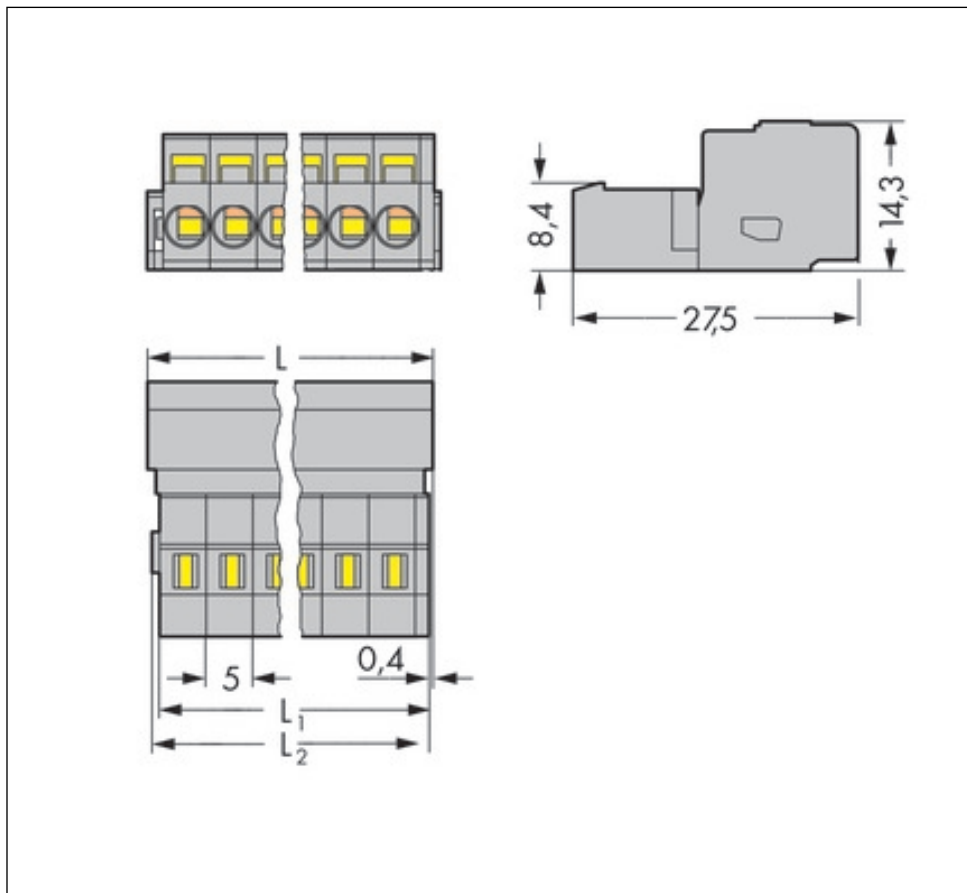
#### Miscellaneous

No. of poles	3
Pin Spacing	5 mm / 0.197 in %
Total number of connection points	3
Total number of potentials	3
Color	gray
Ratings according to 1	IEC/EN 60664-1
Overvoltage category EN 1	III
Pollution degree (1)	2

<b>Technical data</b>	
Rated voltage EN (1) [V]	320 [V]
Rated surge voltage (1) [kV]	4 [kV]
Nominal current [A]	12 [A]
Overtoltage category EN 2	II
Degree of pollution (2)	2
Rated voltage EN (2) [V]	630 [V]
Rated surge voltage (2) [kV]	4 [kV]
Nominal current (2) [A]	12 [A]
Overtoltage category EN 3	III
Degree of pollution (3)	3
Rated voltage EN (3) [V]	320 [V]
Rated surge voltage (3) [kV]	4 [kV]
Nominal current (3) [A]	12 [A]
Number of individual connection objects at the product	1
Connection technology (1)	CAGE CLAMP®
Solid sizes 1	0.08 ... 2.5 mm <sup>2</sup> / 28 ... 12 AWG
Fine-stranded wires 1	0.08 ... 2.5 mm <sup>2</sup> / 28 ... 12 AWG
Fine-stranded wires with insulated ferrule 1	0.25 ... 1.5 mm <sup>2</sup> / ...
Fine-stranded wires with uninsulated ferrule 1	0.25 ... 2.5 mm <sup>2</sup> / ...
Strip length 1	8 ... 9 mm / 0.31 ... 0.35 in
Material group	I
Insulating material	Polyamide 66 (PA 66)
Flammability rating per UL 94	V0
Limit temperature range	-60 C ... 100 C
Clamping spring material	Chrome-nickel spring steel (CrNi)
Contact material	Electrolytic copper (Ecu)
Contact plating	tin-plated
Fire load [MJ]	0.089 [MJ]
Weight [g]	4.82 [g]
Width	18.2 mm / 0.717 in
Height	14.3 mm / 0.563 in
Length	27.5 mm / 1.083 in

Images & drawings





#### Address

WAGO Kontakttechnik GmbH & Co. KG

Hansastr. 27

32423 Minden

Telefon: 0571/887-0

Fax: 0571/887-169

<http://www.wago.com>

© WAGO Kontakttechnik GmbH & Co. KG

Technische Änderungen und Irrtümer vorbehalten.