

Optocoupler module; input DC 24 V; output DC 60 V/100 mA

Item No.: 286-791



Optocoupler module; input DC 24 V; output DC 60 V/100 mA

Marking

RoHS ✓
Compliant

Business data

Supplier	WAGO
Item no.	286-791
GTIN / EAN	4045454397470
Content	1
Order amount	1
Customer item number	

Notes

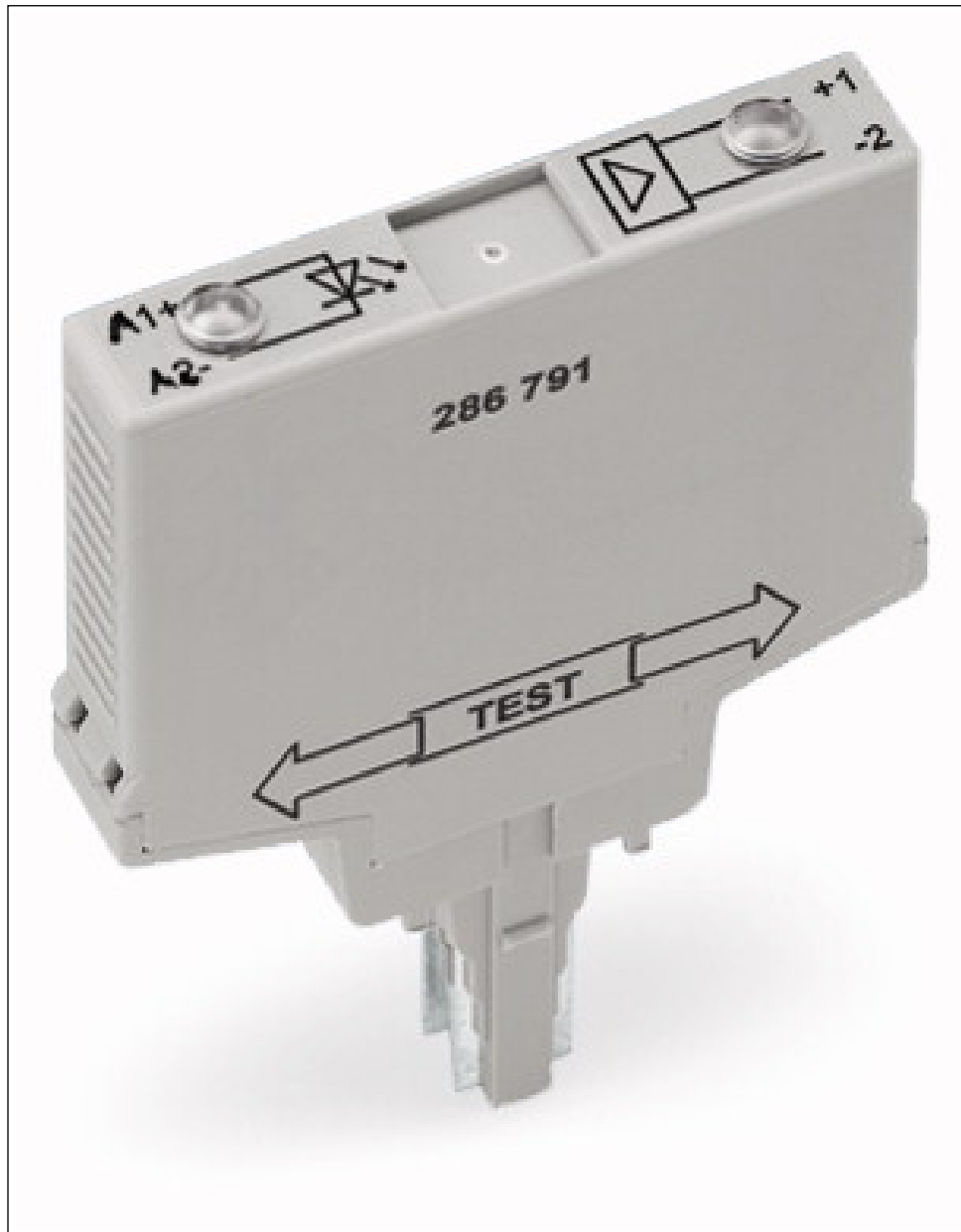
Technical data

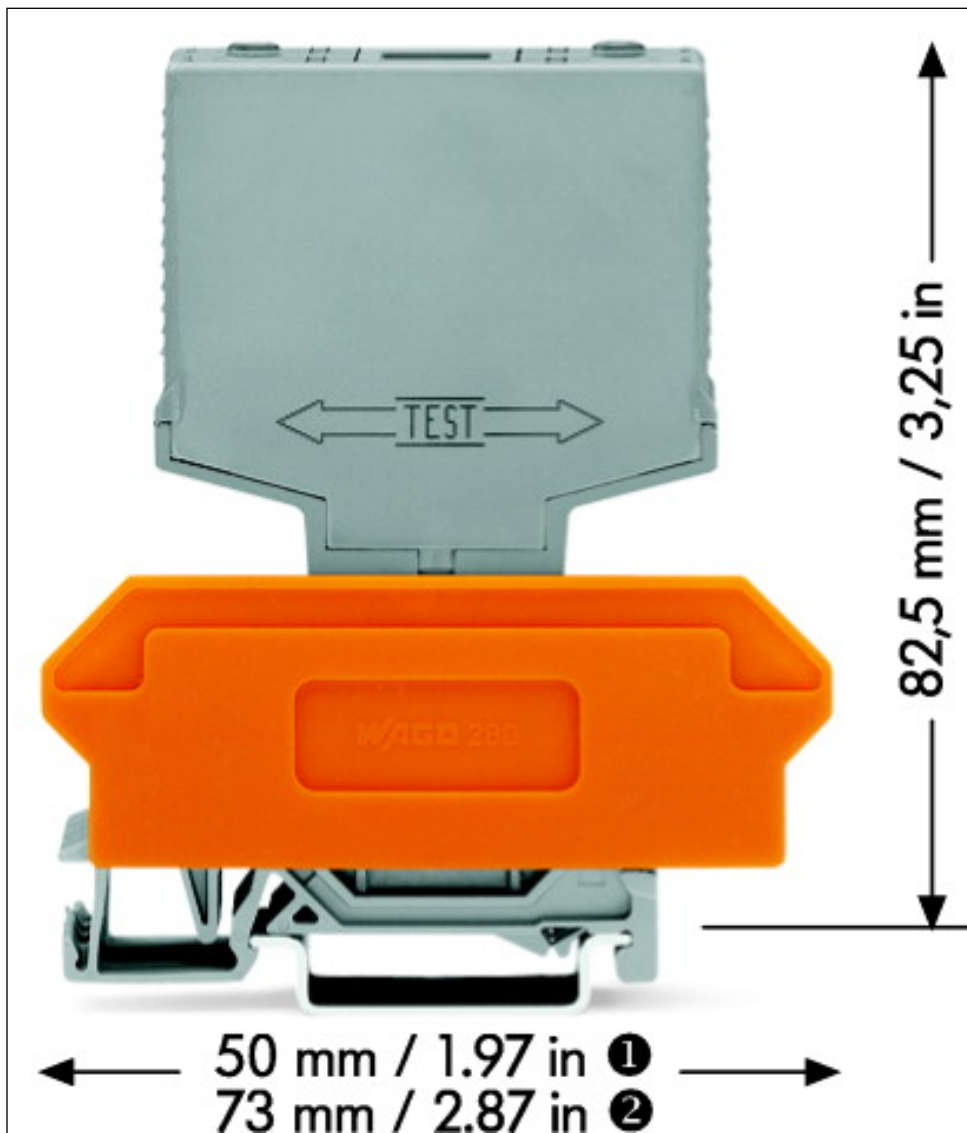
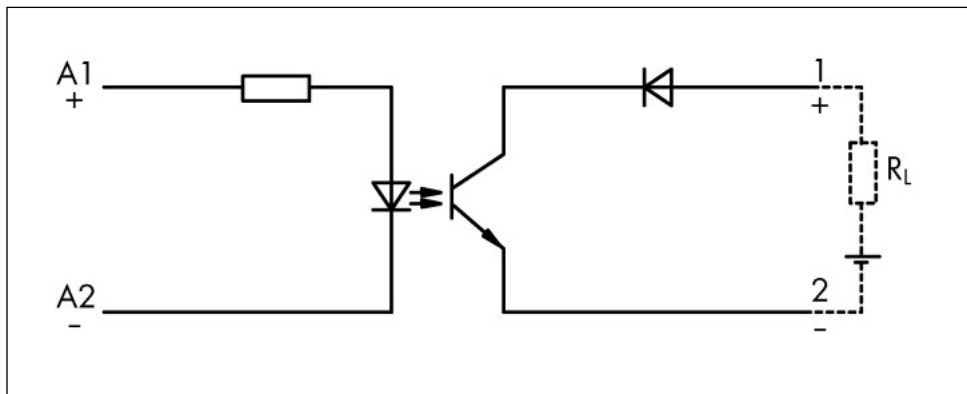
Miscellaneous

Color	gray
Pollution degree (1)	2
Rated voltage EN (1) [V]	250 [V]
Rated surge voltage (1) [kV]	4 [kV]
Max. switching frequency	3 kHz
Nominal input voltage VN	24 V DC
Input current range	7.5 mA ... 18 mA DC
Output nominal voltage	60 V DC
Output voltage range	20 V ... 60 V DC
Max. continuous current	100 mA

Technical data	
<i>Leakage current at nominal voltage</i>	2.5 μ A
<i>Max. voltage drop at output</i>	2 V
<i>Reverse voltage transistor/triac [V]</i>	80 V DC [V]
<i>Ambient operating temperature</i>	-25 °C ... +40 °C
<i>Pull-in time</i>	10 μ s
<i>Drop-out time</i>	50 μ s
<i>Dielectric strength, control/load circuit (AC, 1 min) [kV<su</i>	2.5 [kVrms]
<i>Input voltage range (high level)</i>	15 ... 30 VDC
<i>Nominal input current (IN) [mA]</i>	14 [mA]
<i>Weight [g]</i>	15.3 [g]
<i>Width</i>	10 mm / 0.394 in
<i>Storage temperature</i>	-40 °C ... +70 °C
<i>Standards/specifications</i>	EN 60664-1

Images & drawings





Address

WAGO Kontakttechnik GmbH & Co. KG

Hansastr. 27

32423 Minden

Telefon: 0571/887-0

Fax: 0571/887-169

<http://www.wago.com>

© WAGO Kontakttechnik GmbH & Co. KG

Technische Änderungen und Irrtümer vorbehalten.