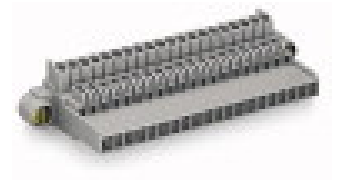


## Female connector; including M4 screws; 10-pole

Item No.: 246-131



Female connector; including M4 screws; 10-pole

### Marking

RoHS ✓  
Compliant

### Business data

Supplier	WAGO
Item no.	246-131
GTIN / EAN	4045454546564
Content	1
Order amount	30
Customer item number	

### Notes

Universal connection for all conductor types  
10- and 20-pole male and female connectors  
Commoning with adjacent jumpers  
Combined coding/securing elements prevent mismatching and unintentional disconnection  
For racks or panel-to-door wiring

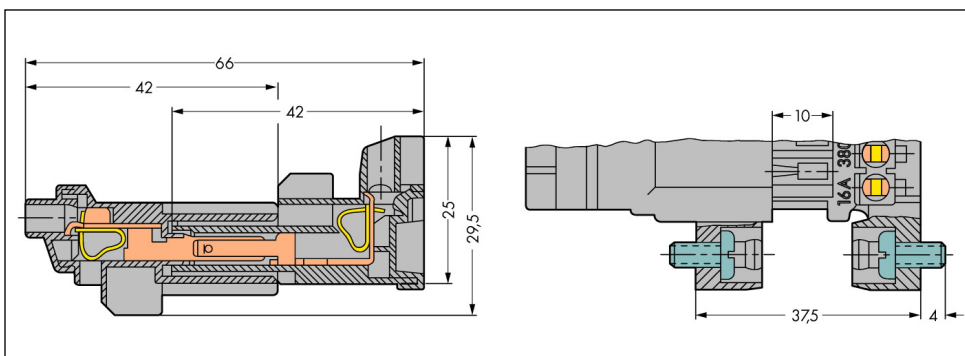
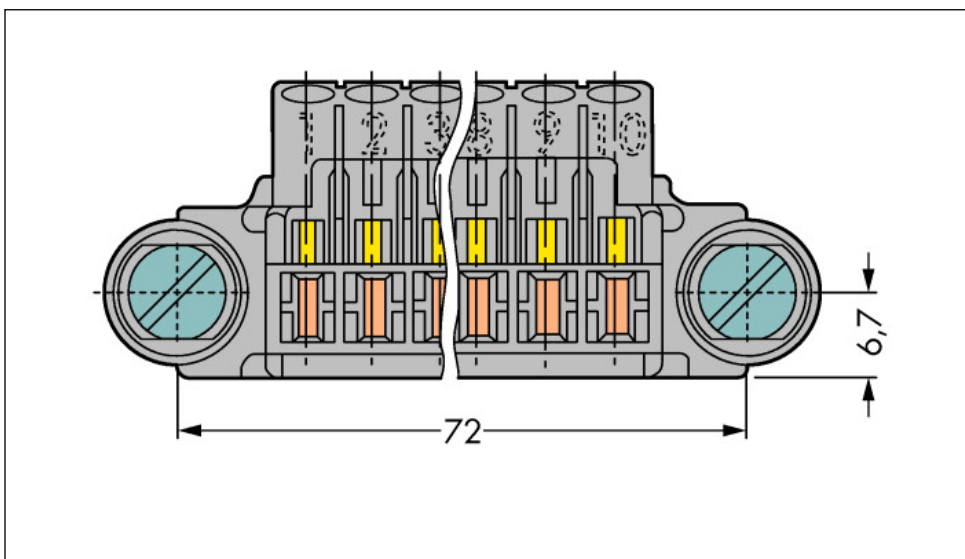
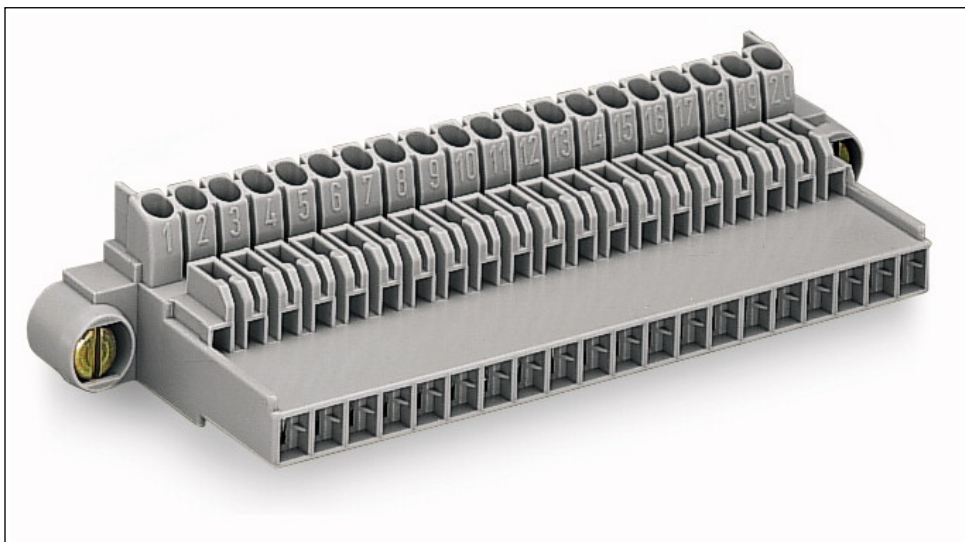
### Technical data

#### Miscellaneous

No. of poles	10
Color	gray
Ratings according to 1	IEC/EN 60664-1
Overtoltage category EN 1	III
Pollution degree (1)	3
Rated voltage EN (1) [V]	630 [V]
Rated surge voltage (1) [kV]	6 [kV]
Nominal current [A]	16 [A]

<b>Technical data</b>	
Overvoltage category EN 2	II
Degree of pollution (2)	2
Rated voltage EN (2) [V]	1000 [V]
Rated surge voltage (2) [kV]	6 [kV]
Overvoltage category EN 3	III
Degree of pollution (3)	3
Rated voltage EN (3) [V]	500 [V]
Rated surge voltage (3) [kV]	6 [kV]
Nominal current (3) [A]	16 [A]
Number of individual connection objects at the product	1
Connection technology (1)	CAGE CLAMP®
Solid sizes 1	0.08 ... 2.5 mm <sup>2</sup> / 28 ... 14 AWG
Fine-stranded wires 1	0.08 ... 2.5 mm <sup>2</sup> / 28 ... 14 AWG
Fine-stranded wires with insulated ferrule 1	0.25 ... 1.5 mm <sup>2</sup> / ...
Fine-stranded wires with uninsulated ferrule 1	0.25 ... 2.5 mm <sup>2</sup> / ...
Strip length 1	8 ... 10 mm / 0.31 ... 0.39 in
Type of wiring	Side-entry wiring
Material group	I
Insulating material	Polyamide 66 (PA 66)
Flammability rating per UL 94	V0
Limit temperature range	-60 C ... 65 C
Clamping spring material	Chrome-nickel spring steel (CrNi)
Contact material	Copper alloy
Contact plating	tin-plated
Fire load [MJ]	0.524 [MJ]
Weight [g]	37.7 [g]
Width	72 mm / 2.835 in
Height	0.984 mm / 25 in
Length	42 mm / 1.654 in

Images & drawings



**Address**

WAGO Kontakttechnik GmbH & Co. KG

Hansastr. 27

32423 Minden

Telefon: 0571/887-0

Fax: 0571/887-169

<http://www.wago.com>

© WAGO Kontakttechnik GmbH & Co. KG

Technische Änderungen und Irrtümer vorbehalten.