

Printview: Terminal strips with operating levers; 2 solder pins/pole; 4-pole; pin spacing 12.5 mm / 0.492 in; without jumper slot - Item No.: 2706-304

WAGO® online catalog / eShop

Terminal strips with operating levers; 2 solder pins/pole; 4-pole; pin spacing 12.5 mm / 0.492 in; without jumper slot

Item No.: 2706-304



Terminal strips with operating levers; 2 solder pins/pole; 4-pole; pin spacing 12.5 mm / 0.492 in; without jumper slot

Marking

RoHS ✓
Compliant

Business data

Supplier	WAGO
Item no.	2706-304
GTIN / EAN	4050821093466
Content	1
Order amount	25
Customer item number	

Notes

High-current terminal strips with lever-actuated CAGE CLAMP® Tool-free opening and closing – fingers open/close levers
Several clamping units can be held open simultaneously – convenient for terminating multi-core cables
Two solder pins per contact point for high mechanical stability
600V UL for 12.5mm pin spacing

Technical data

Miscellaneous	
No. of poles	4
Pin Spacing	12.5 mm (0.492 in %)
Total number of connection points	4
Total number of potentials	4
Color	gray
Ratings according to 1	IEC/EN 60664-1
Overvoltage category EN 1	III

Technical data	
<i>Pollution degree (1)</i>	2
<i>Rated voltage EN (1) [V]</i>	1000 [V]
<i>Rated surge voltage (1) [kV]</i>	8 [kV]
<i>Nominal current [A]</i>	41 [A]
<i>Overvoltage category EN 2</i>	II
<i>Degree of pollution (2)</i>	2
<i>Rated voltage EN (2) [V]</i>	1000 [V]
<i>Rated surge voltage (2) [kV]</i>	8 [kV]
<i>Nominal current (2) [A]</i>	41 [A]
<i>Overvoltage category EN 3</i>	III
<i>Degree of pollution (3)</i>	3
<i>Rated voltage EN (3) [V]</i>	1000 [V]
<i>Rated surge voltage (3) [kV]</i>	8 [kV]
<i>Nominal current (3) [A]</i>	41 [A]
<i>Number of individual connection objects at the product</i>	1
<i>Connection technology (1)</i>	CAGE CLAMP®
<i>Solid sizes 1</i>	0.5 ... 6 mm ² / 20 ... 10 AWG
<i>Fine-stranded wires 1</i>	0.5 ... 6 mm ² / 20 ... 10 AWG
<i>Fine-stranded wires with insulated ferrule 1</i>	0.5 ... 6 mm ² / ...
<i>Fine-stranded wires with uninsulated ferrule 1</i>	0.5 ... 6 mm ² / ...
<i>Strip length 1</i>	11 ... 12 mm / 0.43 ... 0.47 in
<i>Conductor entry angle to the PCB 1 [°]</i>	30 [°]
<i>Solder pin arrangement</i>	in-line solder pin
<i>Solder pin length [mm]</i>	4.5 [mm]
<i>Solder pin width A [mm]</i>	1 [mm]
<i>Solder pin width B [mm]</i>	1.4 [mm]
<i>Tolerance of drilled hole [mm]</i>	1.8(+ 0.1) [mm]
<i>Material group</i>	I
<i>Insulating material</i>	Polyamide 66 (PA 66)
<i>Flammability rating per UL 94</i>	V0
<i>Limit temperature range</i>	-60 C ... 105 C
<i>Clamping spring material</i>	Chrome-nickel spring steel (CrNi)
<i>Contact material</i>	Electrolytic copper (Ecu)
<i>Contact plating</i>	tin-plated

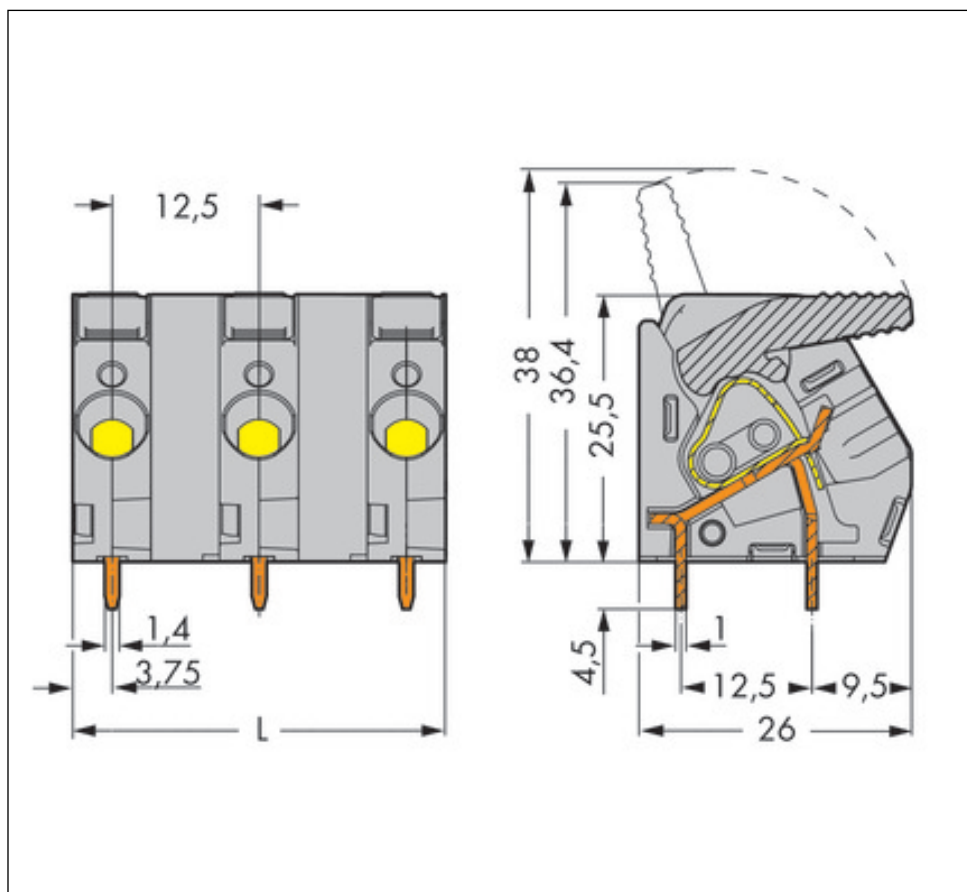
Printview: Terminal strips with operating levers; 2 solder pins/pole; 4-pole; pin spacing 12.5 mm / 0.492 in; without jumper slot - Item No.: 2706-304

Technical data	
<i>Fire load [MJ]</i>	<i>0.548 [MJ]</i>
<i>Weight [g]</i>	<i>26.25 [g]</i>
<i>Width</i>	<i>45 mm / 1.772 in</i>
<i>Height</i>	<i>30 mm / 1.181 in</i>
<i>Height from the surface</i>	<i>25.5 mm / 1.004 in</i>
<i>Length</i>	<i>26 mm / 1.024 in</i>

Printview: Terminal strips with operating levers; 2 solder pins/pole; 4-pole; pin spacing 12.5 mm / 0.492 in; without jumper slot - Item No.: 2706-304

Images & drawings





Address

WAGO Kontakttechnik GmbH & Co. KG

Hansastr. 27

32423 Minden

Telefon: 0571/887-0

Fax: 0571/887-169

<http://www.wago.com>

© WAGO Kontakttechnik GmbH & Co. KG

Technische Änderungen und Irrtümer vorbehalten.