

## 12VDC 2A International power supply



### Description:

This 12VDC 2A power supply has a 90-264vac input & comes supplied complete with UK, European, USA and Australian pins as standard. It carries full international safety approvals making it suitable for world use. Meeting latest level VI requirements and featuring high reliability with a M.T.B.F of 50K hours at 25 degrees C, the units provides a single voltage regulated 12vdc output up to 2 amps max, & is fitted with a 2.5 x 5.5 x 12mm conn. Polarity + ve centre

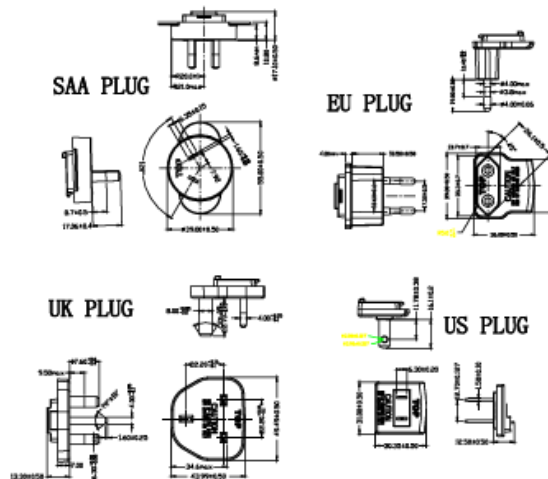
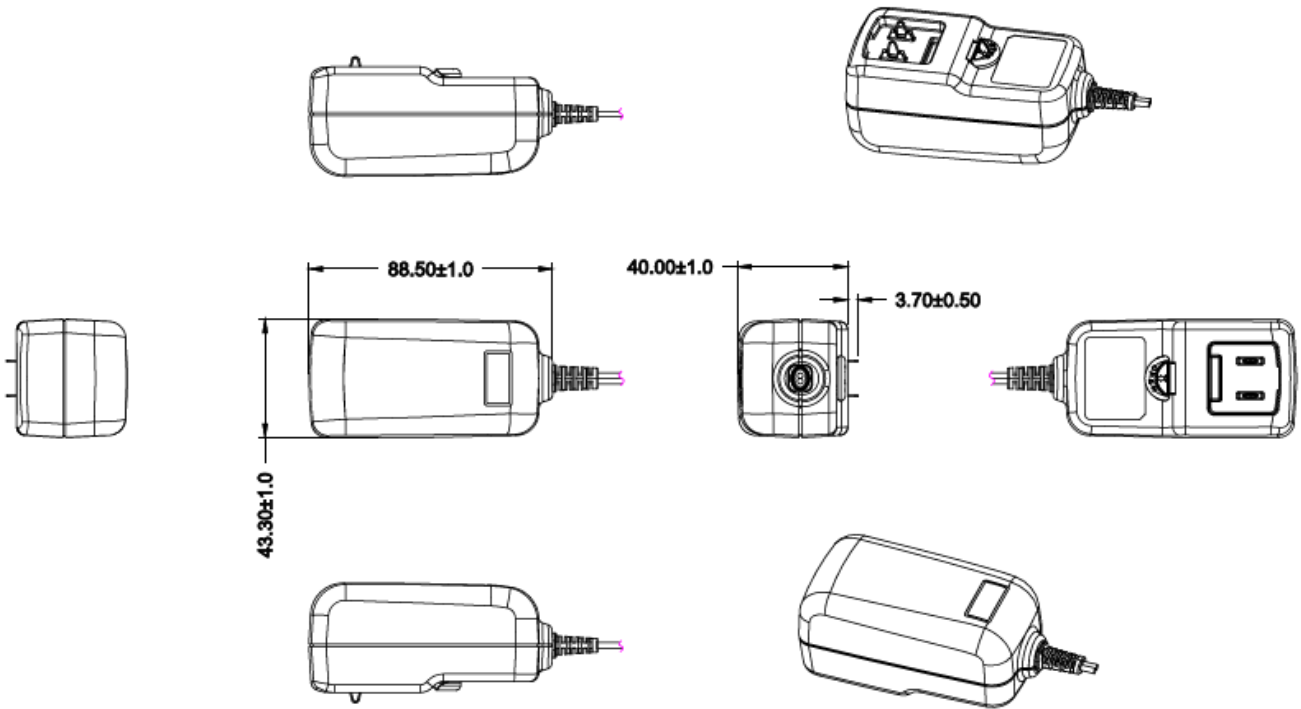
### General Spec



<b>Part Numbers</b>	SW4047F		
<b>Output</b>	12vdc regulated (2A max)	<b>Leakage Current</b>	shall not exceed mA
<b>Current Min.</b>	0.01A	<b>Input Current (RMS Max.)</b>	max
<b>Power (watts)</b>	24W	<b>Hi-Pot Spec</b>	3000Vac 10mA 1 min. (I.P. to O.P.)
<b>Line Reg</b>	+/-5% at rated load	<b>No load power consumption</b>	Max
<b>Total Output Regulation</b>	+/-5 % at 0—100% load	<b>Operating Temperature</b>	0 to 40 degrees C
<b>Ripple &amp; Noise (mV p-p)</b>	300mV P-P	<b>Storage Temperature</b>	-20 to 80 degrees C
<b>Protections</b>	Over Current and Short Circuit	<b>Operating Humidity</b>	10% to 90%
<b>Case Size</b>	88.5 x 43.3 x 40mm	<b>Safety Approvals</b>	CE, TUV, C-Tick, cUL
<b>Weight (approx.)</b>	250g with all 4 AC pins & box	<b>EMC Standards</b>	EN55022:2006+A1:2007 / EN6100-3-2 / EN6100-3-3
<b>DC Cord</b>	1.83 Metres	<b>Pb-free</b>	Yes RoHS Compliant
<b>DC Plug</b>	2.5 x 5.5 x 12mm +ve centre	<b>MTBF</b>	50K Hours at 25 degrees C
<b>Rated Input Voltage</b>	100-240Vac		
<b>Full Input Voltage Range</b>	90-264Vac		
<b>Rated Frequency</b>	50-60Hz		
<b>Full Frequency Range</b>	47-63Hz		
<b>Efficiency</b>	Level VI		

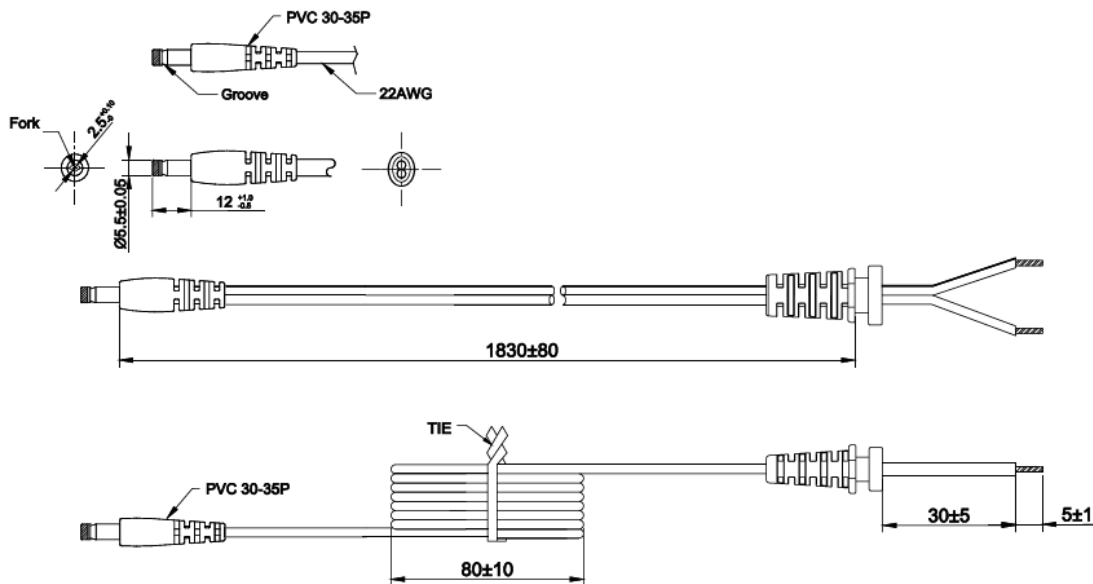
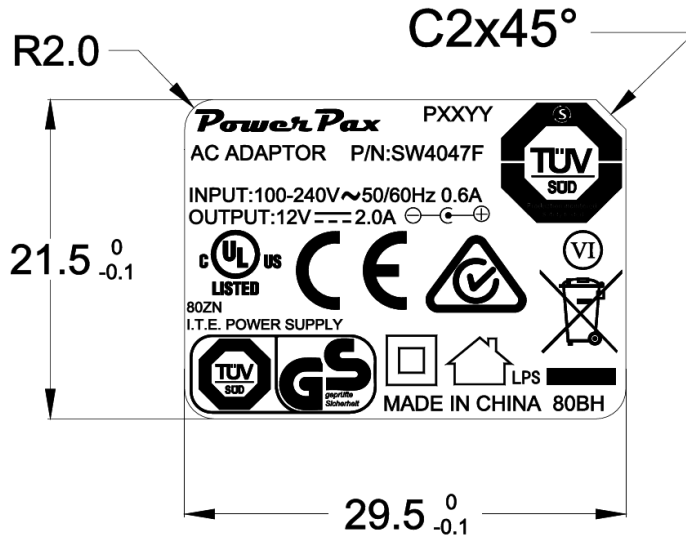
Full specification documents on each part included in this data sheet are available on request from PowerPax UK Ltd. PowerPax accepts no responsibility for typographical errors in the production of this leaflet. Product specifications are subject to change without notice

## 12VDC 2A International power supply



Full specification documents on each part included in this data sheet are available on request from PowerPax UK Ltd. PowerPax accepts no responsibility for typographical errors in the production of this leaflet. Product specifications are subject to change without notice

## 12VDC 2A International power supply



NOTE: (unit:mm)

- 1).WIRE TYPE:VW-1 2468 80°C 300V L=1830mm 2C 22AWG BLACK+WHITE  
BLACK and WHITE—Positive BLACK—Negative
- 2).THE POLARITY: ⊖—⊕
- 3).PAHS REACH ROHS

Full specification documents on each part included in this data sheet are available on request from PowerPax UK Ltd. PowerPax accepts no responsibility for typographical errors in the production of this leaflet. Product specifications are subject to change without notice