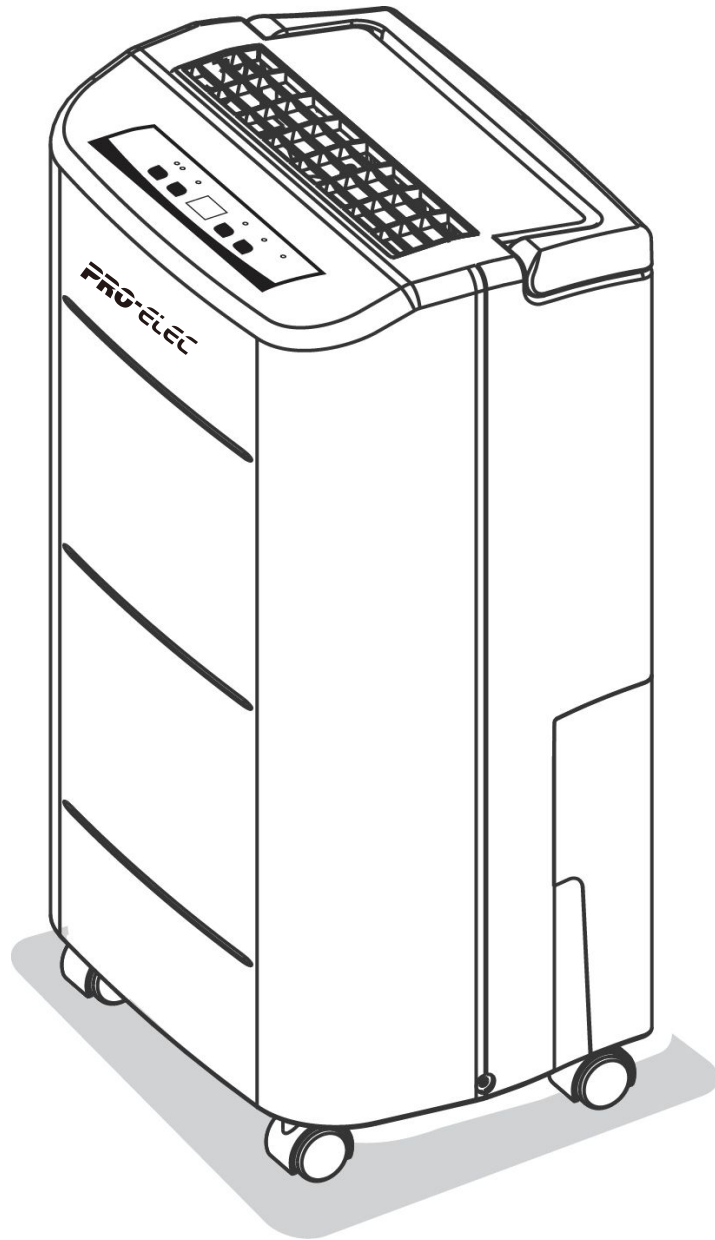


PRO-ELEC

INSTRUCTION MANUAL



HG00923

Dehumidifier

Contents

CAUTION.....	3
INTRODUCTION.....	4-5
PLACEMENT.....	5
CONTROL PANEL.....	6
OPERATION.....	7
EMPTYING THE COLLECTED WATER.....	7-8
MAINTENANCE.....	9
TROUBLESHOOTING.....	10
TECHNICAL DETAILS.....	11

CAUTION

- When using electrical appliances basic safety precautions should always be followed.
- Check that the voltage indicated on the rating plate corresponds with that of the local network before connecting the appliance to the mains power supply.
- This appliance is intended for domestic use only. It should not be used for commercial purposes.
- This appliance is designed for indoor use only
- Children shall not play with the appliance.
- Cleaning and maintenance shall not be made by children without supervision.
- There are no user-serviceable parts in this product. Refer servicing to qualified personnel.
- Do not operate this appliance with a damaged plug or cord, after a malfunction or after being dropped or damaged in any way.
- If the supply cord is damaged, it must be replaced by the manufacturer, its service agent or similarly qualified persons in order to avoid a hazard.
- This appliance can be used by children aged from 8 years and above and persons with reduced physical, sensory, or mental capabilities or lack of experience and knowledge if they have been given supervision or instruction concerning use of the appliance in a safe way and understand the hazards involved.
- Do not insert anything through the intake or discharge ducts when the dehumidifier is connected to the supply.
- Make sure the dehumidifier is on a stable surface when operating.
- Do not operate the dehumidifier in an enclosed space such as a cupboard or closet
- Disconnect from the supply when not in use, or during maintenance or cleaning

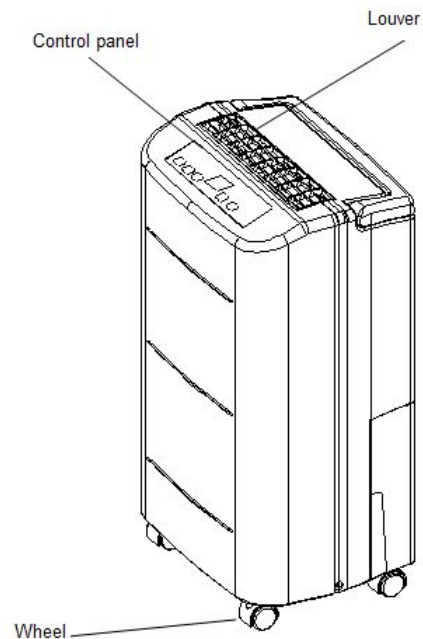
INTRODUCTION

This operating manual provides useful information necessary for the proper care and maintenance of the dehumidifier. Please take a few moments to read the instructions thoroughly and familiarise yourself with the operation of the dehumidifier. Please retain for future reference

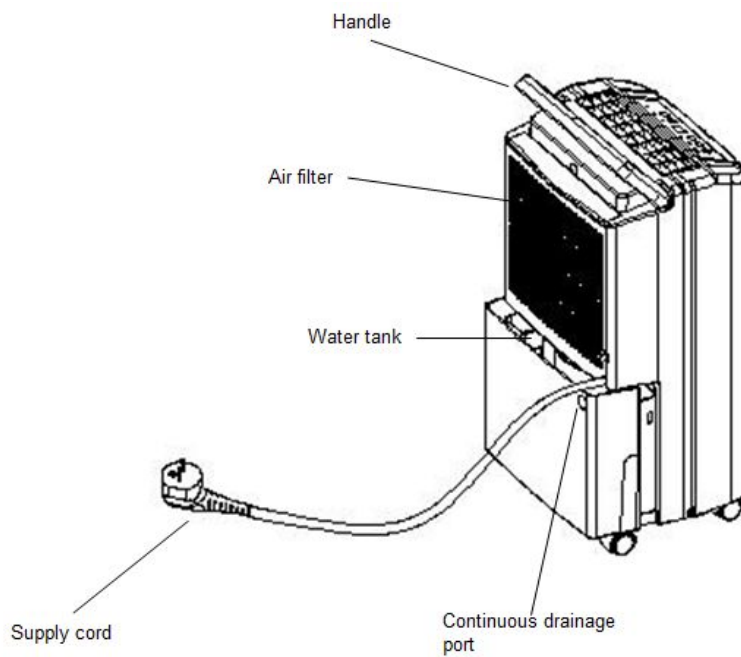
Features

- **Lightweight, portable design.** The castors on the bottom of the unit make it easy to move from room to room
- **Low temperature operation with automatic defrost.** When the unit is running in a room at a temperature between 5°C and 12°C, it will stop every 30 minutes to defrost. Between 12°C and 20°C it will defrost every 45 minutes
- **Adjustable humidity.** The humidity can be set to a range of levels
- **Timer On/Off.** The unit can be programmed to turn on and off automatically
- **Quiet operation**
- **Drainage pipe** (optional)

Front

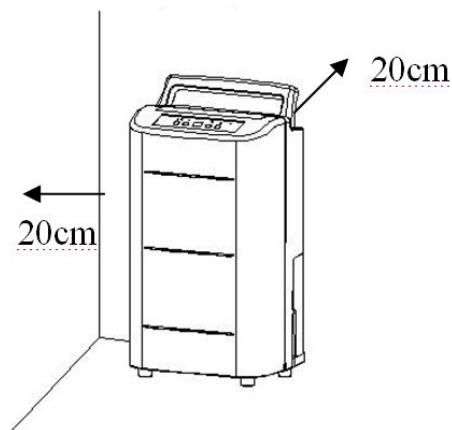


Rear

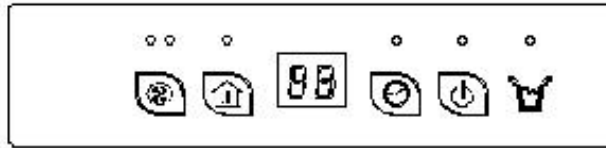


PLACEMENT

Place the dehumidifier on a flat, solid surface, ensuring that it is a least 20 cm away from any other wall or surface. Do not position near a bath, sink or other permanently damp or wet area.



CONTROL PANEL



Indication Lights



Power: turns green when the unit is plugged in, regardless of whether the unit is operating or not.



Tank full: turns red when the tank is full. If the light is on, empty the water out of the drainage tank and make sure that the tank is repositioned properly.



Timer: turns green when the timer to turn the unit on or off automatically is programmed.



Adjustable humidity setting: turns green when the humidity level is being adjusted.



Humidity level and Timer display: this 2 digit display indicates 5 functions:

1. When the unit is plugged in, it will indicate the room humidity level.
2. When the humidity level is being set, it will indicate the humidity level selected.
3. When the humidity in the room is less than 35%, it will show **LO**
4. When the humidity in the room is higher than 95%, it will show **HI**
5. When the timer to turn the unit on or off is being set, it will show the number of hours selected.

Push Button Functions



Power: press the button once to start operation, the default humidity level is 60%. Press it again to stop operation.



Timer: 24 hour timer setting. Press the button to program the number of hours delay to when the unit turns on and off. It can be set between 1 and 24. To cancel the timer programming, press the button to adjust the time to **00**



Adjustable humidity: press to set the desired humidity level in the room, which can be set in the order: 60%, 65%, 70%, 75%, 80%, 40%, 50%, 55%, 60%. When the relative humidity in the room is lower than the selected humidity, the operation of the unit will stop automatically.



Fan speed: press to set the desired fan speed. There are two settings high or low speed.

OPERATION

1. Open the air outlet manually

Before starting the unit, please make sure that the louver is open. If the louver is closed, the unit may overheat and will not work effectively.

2. Turning the unit on

When the unit is plugged in, a buzzer will beep and the humidity indicator shows the default humidity level at 60% with a low fan speed.

Press the **POWER** button  to start operation.

3. Stop operation

Press the **POWER** button  to stop dehumidification.

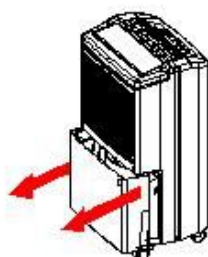
Never stop the unit by unplugging the supply cord.

EMPTYING THE COLLECTED WATER

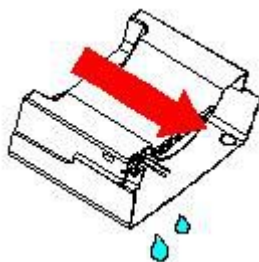
When the drainage tank is full, the tank indicator light will turn on, the operation will stop automatically and the buzzer will beep 15 times to alert the user that the water needs to be emptied from the drainage tank.

Emptying the drainage tank

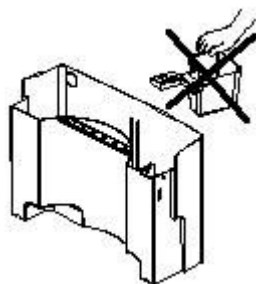
1. Disconnect the unit from the mains before starting to remove the water tank.
2. Lightly press on the sides of the tank with both hands and gently pull the tank out.



3. Empty the collected water

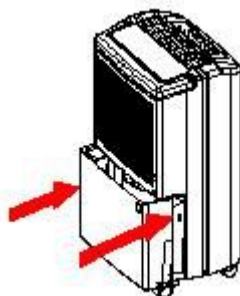


Note: Do not remove the float from the water tank. The water sensor will no longer be able to detect the water level correctly without the float and water may leak from the tank.



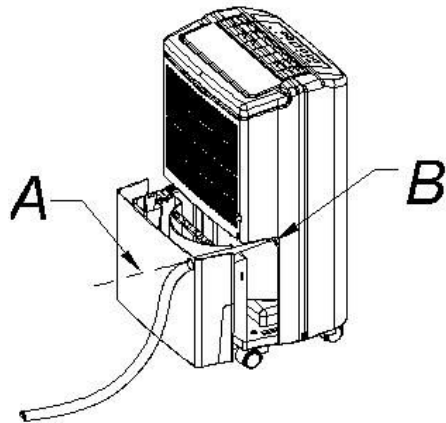
4. If the drainage tank is dirty, wash it with cold or lukewarm water. Do not use detergent, scouring pads or any other solvent which could lead to damage of the tank and cause water leakage

5. When replacing the drainage tank, press the tank firmly into place with both hands. If the tank is not positioned correctly, the **TANK FULL** sensor will be activated, and the dehumidifier will not operate.



Continuous water drainage

The unit features a continuous drainage port. By connecting a plastic pipe (with an inner diameter of 9mm) to it, the water from the dehumidifier can be drained continuously.



MAINTENANCE

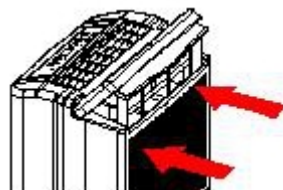
IMPORTANT: in order to avoid an electric shock, please power-off the dehumidifier and pull out the mains plug before performing any maintenance or repair activities.

Cleaning

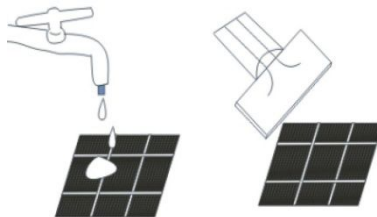
- Unplug from the mains supply before cleaning.
- Do not splash water into the dehumidifier.
- Clean the outside of the dehumidifier with a damp, not wet, cloth and dry thoroughly before using. **DO NOT** use any abrasive or chemical cleaners, which may damage the surface of the dehumidifier.

Filter

- Remove the air filter



- Run a vacuum cleaner lightly over the surface of the filter to remove dust. If the air filter is exceptionally dirty wash it with warm water and a mild detergent and dry thoroughly.



- Refit the air filter

Note: Do not run the dehumidifier without the air filter.

Storing the dehumidifier

If the dehumidifier is not going to be used for a long time, please follow the steps below:

1. Unplug the dehumidifier from the mains.
2. Empty any water left in the drainage tank and dry thoroughly
3. Fold up the power supply cord and put it in the drainage tank
4. Clean the air filter
5. Store in a dry place

TROUBLESHOOTING

If one of the conditions listed below occurs, please check the following:

Problem	Possible Cause	Solution
The unit doesn't operate	Has the power cord been disconnected?	Plug the power cord into the outlet.
	Is the tank full indication lamp blinking? (The tank is full or in the wrong position.)	Empty the water in the drainage tank and then reposition the tank correctly.
	Is the temperature of the room above 35°C or below 5°C?	The protection device is activated and the unit cannot be started.
The dehumidifying function doesn't work	Is the air filter clogged?	Clean the air filter as instructed under "Maintenance".
	Is the air intake or discharge duct obstructed?	Remove the obstruction from the air intake or discharge duct.
No air is discharged	Is the air filter clogged?	Clean the air filter as instructed under "Maintenance".
Operation is noisy	Is the unit tilted or unsteady?	Move the unit on to a stable, level location.
	Is the air filter clogged?	Clean the air filter as instructed under "Maintenance".

If a problem persists, turn the dehumidifier off and unplug from the mains. Consult either your retailer or a qualified person for additional assistance.

There are no user serviceable parts inside the dehumidifier. Refer servicing to qualified personnel

TECHNICAL DETAILS

Model No:	HG00923
Mains Voltage:	220-240V ~50Hz
Power consumption:	220W
Dehumidify capacity (30°C 80%):	12L/24hr
Water tank capacity:	2.8L
Noise:	≤ 46dB(A)
Motor air volume:	105m ³ hr
Working temperature:	5°C - 35°C
Recommended room size:	24m ³
Refrigerant/Charge:	R134a/160g
Dimensions (W x H x D):	310 x 230 x 543mm
Weight:	11.8kg



INFORMATION ON WASTE DISPOSAL FOR CONSUMERS OF ELECTRICAL & ELECTRONIC EQUIPMENT.

When this product has reached the end of its life it must be treated as Waste Electrical & Electronics Equipment (WEEE). Any WEEE marked products must not be mixed with general household waste, but kept separate for the treatment, recovery and recycling of the materials used. Contact your local authority for details of recycling schemes in your area.



Premier Farnell Ltd

For any enquiries regarding the product, please call 08447 88 00 88