

PLEASE CHECK WWW.MOLEX.COM FOR LATEST PART INFORMATION

Part Number: [0345860001](#)
Status: **Active**
Overview: [MX123™ Sealed Connection System](#)
Description: [MX123™ 0.64mm Grommet Seal Plug](#)

Documents:

[Drawing \(PDF\)](#) [Packaging Specification PK-31300-348 \(PDF\)](#)
[Product Specification PS-34566-0000 \(PDF\)](#) [RoHS Certificate of Compliance \(PDF\)](#)

General

Product Family	Accessories
Series	34586
Component Type	Voiding Key
Overview	MX123™ Sealed Connection System
Product Name	MX123
UPC	822348345656

Physical

Circuits (Loaded)	1
Color - Resin	Gray
Lock to Mating Part	No
Material - Resin	Nylon Alloy
Net Weight	0.064/g
Packaging Type	Bag

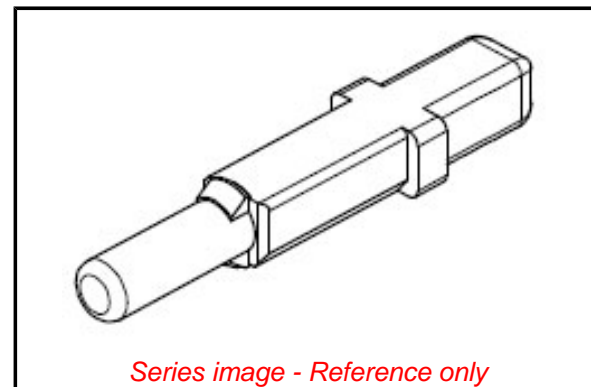
Solder Process Data

Lead-freeProcess Capability	N/A
-----------------------------	-----

Material Info

Reference - Drawing Numbers

Packaging Specification	PK-31300-348
Product Specification	PS-34566-0000
Sales Drawing	SD-34586-001



EU ELV

Compliant

EU RoHS

Compliant

REACH SVHC

Contained Per -
ED/79/2015 (17
December 2015)
N,N-
dimethylacetamide

Halogen-Free

Status

Not Relevant

Need more information on product environmental compliance?

Email productcompliance@molex.com
Please visit the [Contact Us](#) section for any non-product compliance questions.

China ROHS

ELV

Not Relevant

Compliant

Search Parts in this Series

[34586 Series](#)

Use With

[MX123 Female Receptacle Housing 34566](#) ,
[34576](#)