

PLEASE CHECK WWW.MOLEX.COM FOR LATEST PART INFORMATION

Part Number: **0440500003**
Status: **Active**
Overview: Modular Jacks and Plugs
Description: Modular Jack, Right Angle, Low Profile, 8/8

Documents:

3D Model	Packaging Specification PK-44050-004 (PDF)
Drawing (PDF)	Test Summary TS-44050-001 (PDF)
Product Specification PS-44050-003 (PDF)	RoHS Certificate of Compliance (PDF)

Agency Certification

CSA	LR19980
UL	E107635

General

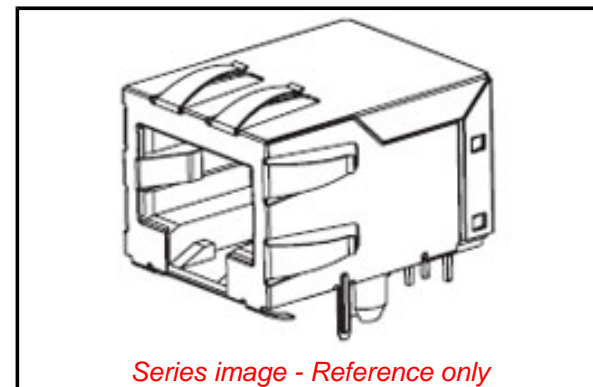
Product Family	Modular Jacks/Plugs
Series	<u>44050</u>
Component Type	PCB Jack
Magnetic	No
Overview	<u>Modular Jacks and Plugs</u>
Performance Category	5, 5e
Power over Ethernet (PoE)	N/A
Product Name	RJ45
UPC	800753940178

Physical

Boot Color	N/A
Color - Resin	Black
Durability (mating cycles max)	500
Flammability	94V-0
Inverted / Top Latch	No
Jack Height	13.06mm
Lightpipes/LEDs	None
Material - Metal	Phosphor Bronze
Material - Plating Mating	Gold
Material - Plating Termination	Tin
Material - Resin	High Temperature Thermoplastic
Net Weight	5.267/g
Orientation	Right Angle (Side Entry)
PCB Locator	Yes
PCB Retention	Yes
PCB Thickness - Recommended	1.57mm
Packaging Type	Tray
Pitch - Mating Interface	1.02mm
Pitch - Termination Interface	1.27mm
Plating min - Mating	1.270µm
Plating min - Termination	2.540µm
Ports	1
Positions / Loaded Contacts	8/8
Surface Mount Compatible (SMC)	Yes
Temperature Range - Operating	-40°C to +85°C
Termination Interface: Style	Through Hole
Waterproof / Dustproof	No
Wire/Cable Type	N/A

Electrical

Current - Maximum per Contact	1.5A
-------------------------------	------



Series image - Reference only

EU ELV

Not Relevant

EU RoHS

Compliant

REACH SVHC

Not Contained Per -
ED/21/2016 (20 June
2016)

Halogen-Free

Status

Not Low-Halogen

**Need more information on product
environmental compliance?**

Email productcompliance@molex.com
Please visit the [Contact Us](#) section for any
non-product compliance questions.

China ROHS

ELV

Green Image

Not Relevant

Search Parts in this Series

44050 Series

Mates With

FCC 68 Plugs

Grounding to Panel	Location F, With All Panel Grounding Tab
Shielded	Yes
Voltage - Maximum	150V AC (RMS)

Solder Process Data

Duration at Max. Process Temperature (seconds)	005
Lead-free Process Capability	WAVE
Max. Cycles at Max. Process Temperature	001
Process Temperature max. C	260

Material Info**Reference - Drawing Numbers**

Packaging Specification	PK-44050-004
Product Specification	PS-44050-003
Sales Drawing	SD-44050-002
Test Summary	TS-44050-001

This document was generated on 07/08/2016

PLEASE CHECK WWW.MOLEX.COM FOR LATEST PART INFORMATION