

PLEASE CHECK WWW.MOLEX.COM FOR LATEST PART INFORMATION

Part Number: [0781560001](#)
Status: **Active**
Overview: DDR3 DIMM Sockets
Description: 1.00mm Pitch DDR3 DIMM Socket, Vertical, Surface Mount, with Beveled Metal Pins, Black Housing and Latches, 0.76µm Gold (Au) Plating, 3.94mm Beveled Metal Pin Length, 1.57mm PCB Thickness, 240 Circuits, Lead-Free

Documents:

[3D Model](#) [Packaging Specification PK-78156-001 \(PDF\)](#)
[Drawing \(PDF\)](#) [RoHS Certificate of Compliance \(PDF\)](#)

Agency Certification

CSA LR19980
 UL E29179

General

Product Family Memory Module Sockets
 Series [78156](#)
 Component Type Socket
 Electrical Model Yes
 JEDEC Outline MO-269
 Overview [DDR3 DIMM Sockets](#)
 Product Name DDR3 DIMM
 UPC 800756674803

Physical

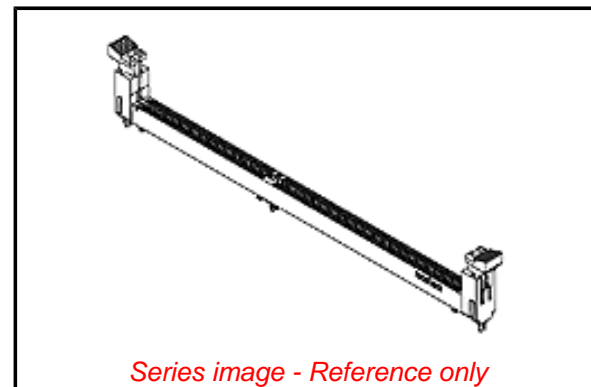
Circuits (Loaded) 240
 Circuits (maximum) 240
 Color - Resin Black
 Durability (mating cycles max) 25
 Entry Angle Vertical
 Flammability 94V-0
 Function Key None
 Keying to Mating Part Yes
 Material - Metal Copper Alloy
 Material - Plating Mating Gold
 Material - Plating Termination Tin
 Material - Resin High Temperature Thermoplastic
 Net Weight 8.847/g
 PCB Locator Yes
 PCB Retention Yes
 PCB Thickness - Recommended 1.57mm
 Packaging Type Tray
 Pitch - Mating Interface 1.00mm
 Pitch - Termination Interface 1.00mm
 Plating min - Mating 0.762µm
 Plating min - Termination 2.540µm
 Temperature Range - Operating -55°C to +85°C
 Termination Interface: Style Surface Mount

Electrical

Current - Maximum per Contact 1.0A
 Voltage - Maximum 30V AC (RMS)/DC
 Voltage Key Center

Solder Process Data

Duration at Max. Process Temperature (seconds) 040
 Lead-freeProcess Capability REFLOW



Series image - Reference only

EU ELV

Not Relevant

EU RoHS

Compliant

REACH SVHC

Not Contained Per -
 ED/21/2016 (20 June
 2016)

Halogen-Free

Status

Not Low-Halogen

**Need more information on product
 environmental compliance?**

Email productcompliance@molex.com
 Please visit the [Contact Us](#) section for any
 non-product compliance questions.

China ROHS

ELV

Green Image

Not Relevant

Search Parts in this Series

[78156 Series](#)

Mates With

JEDEC Standard 1.27mm Modules

Max. Cycles at Max. Process Temperature	002
Process Temperature max. C	260

Material Info

Reference - Drawing Numbers

Electrical Model Document	EE-78156-004, EE-78156-005
Packaging Specification	PK-78156-001
S-Parameter Model	SP-78156-004, SP-78156-005
Sales Drawing	SD-78156-001

This document was generated on 07/11/2016

PLEASE CHECK WWW.MOLEX.COM FOR LATEST PART INFORMATION