

PLEASE CHECK WWW.MOLEX.COM FOR LATEST PART INFORMATION

Part Number: [0015040343](#)
Status: **Active**
Description: Mini-Fit Jr.™ Strain Relief, 8 Circuits, Natural

Documents:

[3D Model](#) [Test Summary TS-41995-001 \(PDF\)](#)
[Drawing \(PDF\)](#) [RoHS Certificate of Compliance \(PDF\)](#)

General

Product Family	Accessories
Series	41995
Component Type	Strain Relief
Product Name	Mini-Fit Jr.™
UPC	800754221764

Physical

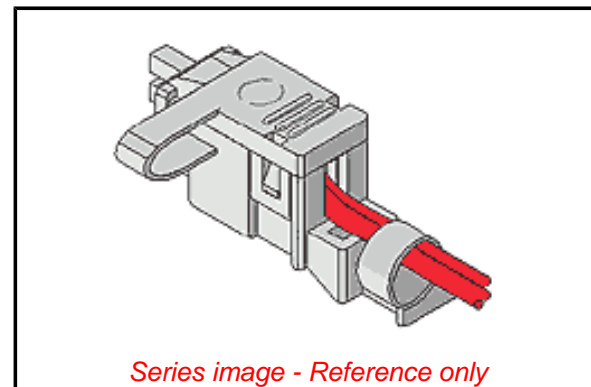
Circuits (Loaded)	8
Color - Resin	Natural
Gender	Dual
Material - Resin	Nylon
Net Weight	5.692/g
Number of Rows	2
Packaging Type	Bag
Temperature Range - Operating	-40°C to +105°C

Material Info

Old Part Number	41995-08AA
-----------------	------------

Reference - Drawing Numbers

Sales Drawing	SD-41995-***
Test Summary	TS-41995-001



EU ELV

Not Relevant

EU RoHS

Compliant

REACH SVHC

Not Contained Per
-ED/79/2015 (17
December 2015)

Halogen-Free

Status

Low-Halogen

Need more information on product environmental compliance?

Email productcompliance@molex.com
Please visit the [Contact Us](#) section for any non-product compliance questions.

China ROHS
ELV

China RoHS

Green Image
Not Relevant

Search Parts in this Series

[41995 Series](#)

Use With

[5557 Mini-Fit, Jr.™ Receptacle Housing.](#)
[5559 Mini-Fit, Jr.™ Plug Housing](#)