

PLEASE CHECK WWW.MOLEX.COM FOR LATEST PART INFORMATION

Part Number: [0399500104](#)
Status: **Active**
Overview: Eurostyle™ Terminal Blocks
Description: 8.00mm Pitch Beau™ Eurostyle™ Fixed Mount, High Voltage PCB Terminal Block, Vertical, 4 Circuits

Documents:

[3D Model](#) [RoHS Certificate of Compliance \(PDF\)](#)
[Drawing \(PDF\)](#)

Agency Certification

UL E48521

General

Product Family Terminal Blocks
 Series [39950](#)
 Application N/A
 Comments High Power
 Component Type One Piece
 Overview [Eurostyle™ Terminal Blocks](#)
 Product Name Eurostyle™ Fixed Mount
 Type Euro Block
 UPC 800756171098

Physical

Circuits (Loaded) 4
 Color - Resin Black
 Entry Angle Horizontal
 Flammability 94V-0
 Lock to Mating Part None
 Material - Metal Brass
 Material - Plating Mating Tin
 Material - Plating Termination Tin
 Material - Resin Polyester
 Number of Rows 1
 Orientation Vertical
 PC Tail Length 4.06mm
 PCB Retention None
 PCB Thickness - Recommended 2.60mm
 Panel Mount No
 Pitch - Mating Interface 8.00mm
 Pitch - Termination Interface 8.00mm
 Plating min - Mating 3.810µm
 Plating min - Termination 3.810µm
 Polarized to Mating Part N/A
 Stackable No
 Temperature Range - Operating 130°C
 Wire Size AWG 12, 14, 16, 18, 20, 22
 Wire Size mm² 0.50-4.00

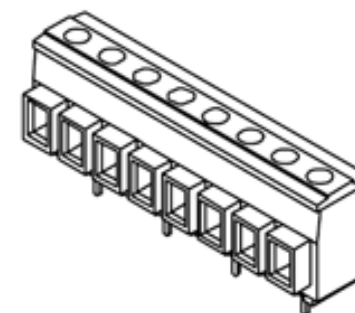
Electrical

Current - Maximum per Contact 20.0A
 Voltage - Maximum 600V

Solder Process Data

Lead-freeProcess Capability WAVE

Material Info



Series image - Reference only

EU ELV

Not Relevant

EU RoHS

Compliant with Exemption 6(c)

REACH SVHC

Not Contained Per - ED/108/2014 (17 Dec 2014)

Halogen-Free

Status

Not Low-Halogen

Need more information on product environmental compliance?

Email productcompliance@molex.com
 Please visit the [Contact Us](#) section for any non-product compliance questions.

China ROHS

50 Image

ELV

Not Relevant

Search Parts in this Series

[39950 Series](#)

Old Part Number 950504

Reference - Drawing Numbers

Sales Drawing SD-39950-001

This document was generated on 07/05/2016

PLEASE CHECK WWW.MOLEX.COM FOR LATEST PART INFORMATION