

PLEASE CHECK WWW.MOLEX.COM FOR LATEST PART INFORMATION

Part Number: [0441331600](#)
Status: **Active**
Overview: Micro-Fit 3.0™ Connectors
Description: Micro-Fit BMI™ Receptacle Housing, Dual Row, Panel Mount, 16 Circuits, PBT Polyester, UL 94V-0

Documents:

[3D Model](#) [RoHS Certificate of Compliance \(PDF\)](#)
[Drawing \(PDF\)](#) [Product Literature \(PDF\)](#)
[Product Specification PS-44300-001 \(PDF\)](#)

Agency Certification

CSA LR19980
 UL E29179

General

Product Family Crimp Housings
 Series [44133](#)
 Application Power, Wire-to-Board, Wire-to-Wire
 Overview Micro-Fit 3.0™ Connectors
 Product Literature Order No 987650-5984
 Product Name Micro-Fit BMI™
 UPC 800753132948

Physical

Circuits (maximum) 16
 Color - Resin Black
 Flammability 94V-0
 Gender Female
 Glow-Wire Compliant No
 Lock to Mating Part No
 Material - Resin Polyester
 Net Weight 3.335/g
 Number of Rows 2
 Packaging Type Bag
 Panel Mount Yes
 Pitch - Mating Interface 3.00mm
 Polarized to Mating Part Yes
 Stackable No
 Temperature Range - Operating -40°C to +105°C

Electrical

Current - Maximum per Contact 5.0A

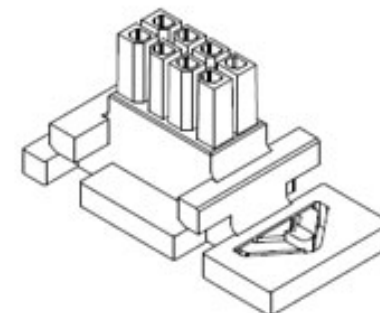
Solder Process Data

Lead-freeProcess Capability N/A

Material Info

Reference - Drawing Numbers

Product Specification PS-44300-001
 Sales Drawing SD-44133-001



Series image - Reference only

EU ELV

Not Relevant

EU RoHS

Compliant

REACH SVHC

Not Contained Per -
 ED/21/2016 (20 June
 2016)

Halogen-Free

Status

Not Low-Halogen

**Need more information on product
 environmental compliance?**

Email productcompliance@molex.com
 Please visit the [Contact Us](#) section for any
 non-product compliance questions.

China ROHS

ELV

Green Image

Not Relevant

Search Parts in this Series

[44133](#) Series

Mates With

[44300-1600](#) Panel Mount Plug, [44432](#)
 Micro-Fit 3.0 BMI Vertical 16 Circuit
 Headers, [44428](#) Micro-Fit 3.0 BMI Right
 Angle 16 Circuit Headers, [45280](#) Micro-Fit
 3.0 BMI CPI™ Vertical 16 Circuit Headers

Use With

[43030](#) , [Link45773](#) Micro-Fit 3.0™ Female
 Crimp Terminals, [46235](#) Micro-Fit RMF™
 Female Crimp Terminals