

**PLEASE CHECK WWW.MOLEX.COM FOR LATEST PART INFORMATION**

**Part Number:** [0847000001](#)  
**Status:** **Active**  
**Overview:** Brad® Industrial Ethernet Solutions  
**Description:** Receptacle, Inline, Industrial, 8/8

**Documents:**

[3D Model](#) [RoHS Certificate of Compliance \(PDF\)](#)  
[Drawing \(PDF\)](#)

**General**

Product Family	Industrial Receptacles
Series	<a href="#">84700</a>
IP Rating	IP67
MolexKits	Yes
Overview	<a href="#">Brad® Industrial Ethernet Solutions</a>
Product Name	RJ45
Type	PCB Mount
UPC	756054460405

**Physical**

Coupling Type	External Thread
Gender	Male
Keyway	None
Length	N/A
Material - Component	PBT
Mounting Thread Size	1" - 14 UNC
Orientation	Straight
Panel Mount	Front
Poles	N/A
Temperature Range - Operating	-20°C to +80°C
Wire Size AWG	N/A
Wire/Cable Type	N/A

**Electrical**

Current - Maximum per Contact	1.5A
Voltage - Maximum	125V

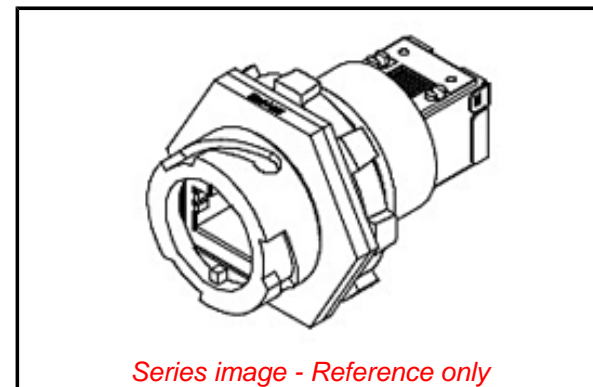
**Solder Process Data**

Lead-freeProcess Capability	N/A
-----------------------------	-----

**Material Info**

**Reference - Drawing Numbers**

Sales Drawing	SD-84700-007
---------------	--------------



**EU ELV**

**Not Relevant**

**EU RoHS**

**Compliant**

**REACH SVHC**

Not Contained Per -  
ED/108/2014 (17 Dec  
2014)

**Halogen-Free**

**Status**

**Not Low-Halogen**

**Need more information on product  
environmental compliance?**

Email [productcompliance@molex.com](mailto:productcompliance@molex.com)  
Please visit the [Contact Us](#) section for any  
non-product compliance questions.

China ROHS  
ELV

**China RoHS**

Green Image  
Not Relevant

**Search Parts in this Series**

[84700 Series](#)

**Mates With**

[84700-0002 Plug](#), [84702 Cable Assemblies](#)

**Use With**

[84700-0003 Dust Cover](#)