

**PLEASE CHECK WWW.MOLEX.COM FOR LATEST PART INFORMATION**

**Part Number:** **0502128000**  
**Status:** **Active**  
**Description:** 2.00mm Pitch Crimp Terminal, Female, 24-30 AWG, Reel

**Documents:**

<a href="#">3D Model</a>	<a href="#">Product Specification PS-51090-009 (PDF)</a>
<a href="#">Drawing (PDF)</a>	<a href="#">Product Specification PS-51160-001 (PDF)</a>
<a href="#">Product Specification PS-51065-005 (PDF)</a>	<a href="#">Product Specification PS-54111-001 (PDF)</a>
<a href="#">Product Specification PS-51089-001 (PDF)</a>	<a href="#">Product Specification PS-54214-001 (PDF)</a>
<a href="#">Product Specification PS-51090-003 (PDF)</a>	<a href="#">RoHS Certificate of Compliance (PDF)</a>

**General**

Product Family	Crimp Terminals
Series	50212
Application	Signal
Crimp Quality Equipment	Yes
Packaging Alternative	50212-8100 (Loose)
Product Name	DuraClik™, Mi II™, Micro-Latch™, Sherlock™
UPC	800753644625

**Physical**

Gender	Female
Material - Metal	Phosphor Bronze
Material - Plating Mating	Tin
Material - Plating Termination	Tin
Net Weight	20.400/mg
Packaging Type	Reel
Termination Interface: Style	Crimp or Compression
Wire Insulation Diameter	1.40mm max.
Wire Size AWG	24, 26, 28, 30
Wire Size mm <sup>2</sup>	N/A

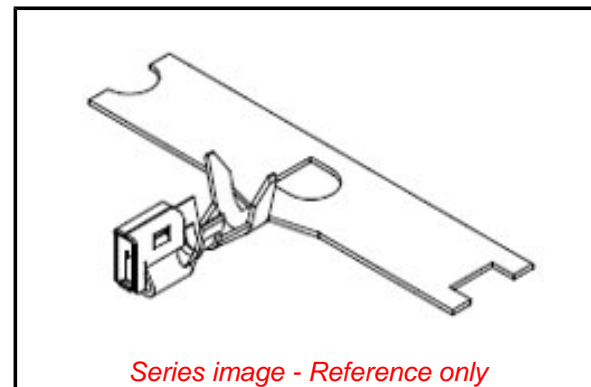
**Electrical**

Current - Maximum per Contact	2.0A
Voltage - Maximum	125V

**Material Info**

**Reference - Drawing Numbers**

Crimp Specification	CS-50212
Product Specification	PS-51065-005, PS-51089-001, PS-51090-003, PS-51090-009, PS-51160-001, PS-54111-001, PS-54214-001, RPS-35507-003, RPS-50212-002, RPS-51065-001, RPS-51065-002, RPS-51065-014, RPS-51090-002, RPS-51090-005, RPS-51090-021, RPS-52484-002, RPS-54111-005, RPS-55460-011 SD-50212-001
Sales Drawing	



Series image - Reference only

**EU ELV**

**Compliant**

**EU RoHS**

**Compliant**

**REACH SVHC**

Not Contained Per - ED/21/2016 (20 June 2016)

**Halogen-Free**

**Status**

**Low-Halogen**

**Need more information on product environmental compliance?**

Email [productcompliance@molex.com](mailto:productcompliance@molex.com)  
Please visit the [Contact Us](#) section for any non-product compliance questions.

China ROHS  
ELV

Green Image  
Compliant

**Search Parts in this Series**

50212 Series

**Use With**

DuraClik™ Receptacle Housing 502351  
<br>Micro-Latch™ Receptacle Housing 51065 <br>Mi II™ Receptacle Housings 51089 , 51090

**Application Tooling | FAQ**

*Tooling specifications and manuals are found by selecting the products below. Crimp Height Specifications are then contained in the Application Tooling Specification document.*

**Global**

Description	Product #
Extraction Tool	<a href="#">0011030043</a>
Hand Crimp Tool for 2.00mm Pitch	<a href="#">0638190500</a>

Terminal, 24-30  
AWG  
FineAdjust™ 0639005200  
Applicator for  
2.00mm Pitch Wire-  
to-Board Crimp  
Terminals, 24-30  
AWG Wire  
T2 Terminator Die 0639105200

**Japan**

<b>Description</b>	<b>Product #</b>
Extraction Tool	<u>0571056000</u>
Side-Feed Applicator For Full-Auto Machine	<u>0571753200</u>
Applicator for M21 1A Bench Press, 22-30 AWG Wire	<u>0571753000</u>

This document was generated on 07/20/2016

**PLEASE CHECK [WWW.MOLEX.COM](http://WWW.MOLEX.COM) FOR LATEST PART INFORMATION**