



**SEMITOP® 3**

## IGBT Module

**SK80GB063**

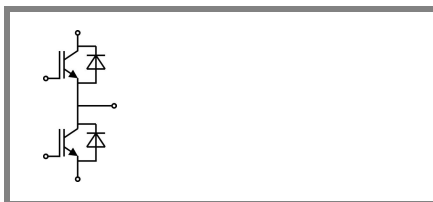
Preliminary Data

### Features

- Compact design
- One screw mounting
- Heat transfer and isolation through direct copper bonded aluminium oxide ceramic (DCB)
- High short circuit capability
- Low tail current with low temperature dependence
- Integrated PTC temperature sensor

### Typical Applications\*

- Switching (not for linear use)
- Inverter
- Switched mode power supplies
- UPS



**GB**

Absolute Maximum Ratings		$T_s = 25\text{ °C}$ , unless otherwise specified		
Symbol	Conditions	Values		Units
<b>IGBT</b>				
$V_{CES}$	$T_j = 25\text{ °C}$	600		V
$I_C$	$T_j = 125\text{ °C}$	$T_s = 25\text{ °C}$	81	A
		$T_s = 80\text{ °C}$	57	A
$I_{CRM}$	$I_{CRM} = 2 \times I_{Cnom}$	200		A
$V_{GES}$		± 20		V
$t_{psc}$	$V_{CC} = 300\text{ V}; V_{GE} \leq 20\text{ V}; T_j = 125\text{ °C}$ $V_{CES} < 600\text{ V}$	10		µs
<b>Inverse Diode</b>				
$I_F$	$T_j = 150\text{ °C}$	$T_s = 25\text{ °C}$	79	A
		$T_s = 80\text{ °C}$	53	A
$I_{FRM}$	$I_{FRM} = 2 \times I_{Fnom}$	150		A
$I_{FSM}$	$t_p = 10\text{ ms}; \text{half sine wave } T_j = 150\text{ °C}$	720		A
<b>Module</b>				
$I_{t(RMS)}$				A
$T_{vj}$		-40 ... +150		°C
$T_{stg}$		-40 ... +125		°C
$V_{isol}$	AC, 1 min.	2500		V

Characteristics		$T_s = 25\text{ °C}$ , unless otherwise specified				
Symbol	Conditions	min.	typ.	max.	Units	
<b>IGBT</b>						
$V_{GE(th)}$	$V_{GE} = V_{CE}, I_C = 1,5\text{ mA}$	4,5	5,5	6,5	V	
$I_{CES}$	$V_{GE} = 0\text{ V}, V_{CE} = V_{CES}$	$T_j = 25\text{ °C}$			0,3	mA
		$T_j = 125\text{ °C}$				mA
$I_{GES}$	$V_{CE} = 0\text{ V}, V_{GE} = 30\text{ V}$	$T_j = 25\text{ °C}$			300	nA
		$T_j = 125\text{ °C}$				nA
$V_{CE0}$		$T_j = 25\text{ °C}$			1	V
		$T_j = 125\text{ °C}$			1,1	V
$r_{CE}$	$V_{GE} = 15\text{ V}$	$T_j = 25\text{ °C}$			11	mΩ
		$T_j = 125\text{ °C}$			9	mΩ
$V_{CE(sat)}$	$I_{Cnom} = 100\text{ A}, V_{GE} = 15\text{ V}$	$T_j = 25\text{ °C}_{chiplev.}$	2,1	2,5		V
		$T_j = 125\text{ °C}_{chiplev.}$	2	2,3		V
$C_{ies}$	$V_{CE} = 25, V_{GE} = 0\text{ V}$	$f = 1\text{ MHz}$			4,3	nF
$C_{oes}$						nF
$C_{res}$					0,4	nF
$Q_G$	$V_{GE} = 0 \dots 20\text{ V}$			310	nC	
$t_{d(on)}$	$R_{Gon} = 10\text{ }\Omega$	$V_{CC} = 300\text{ V}$ $I_C = 100\text{ A}$			50	ns
$t_r$					40	ns
$E_{on}$	$R_{Goff} = 10\text{ }\Omega$	$T_j = 125\text{ °C}$ $V_{GE} = \pm 15\text{ V}$			4	mJ
$t_{d(off)}$					300	ns
$t_f$					35	ns
$E_{off}$					3	mJ
$R_{th(j-s)}$	per IGBT			0,6	K/W	



**SEMITOP<sup>®</sup> 3**

## IGBT Module

**SK80GB063**

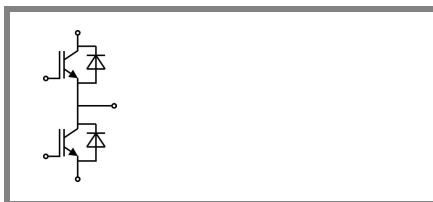
Preliminary Data

### Features

- Compact design
- One screw mounting
- Heat transfer and isolation through direct copper bonded aluminium oxide ceramic (DCB)
- High short circuit capability
- Low tail current with low temperature dependence
- Integrated PTC temperature sensor

### Typical Applications\*

- Switching (not for linear use)
- Inverter
- Switched mode power supplies
- UPS



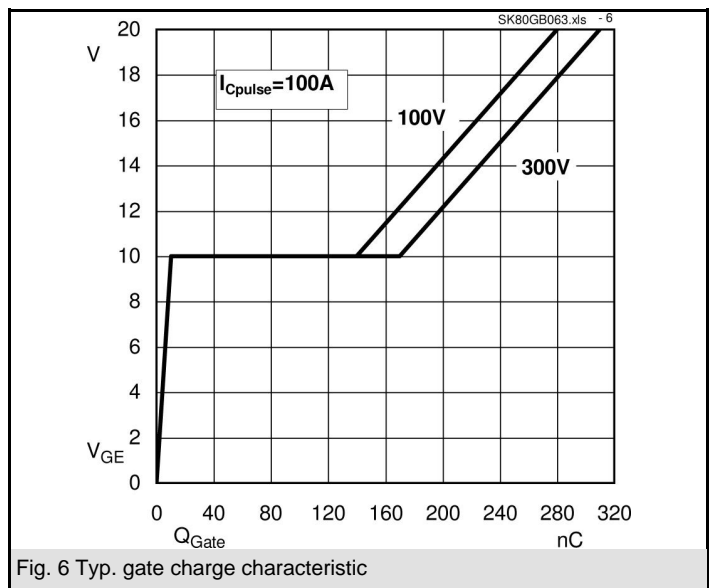
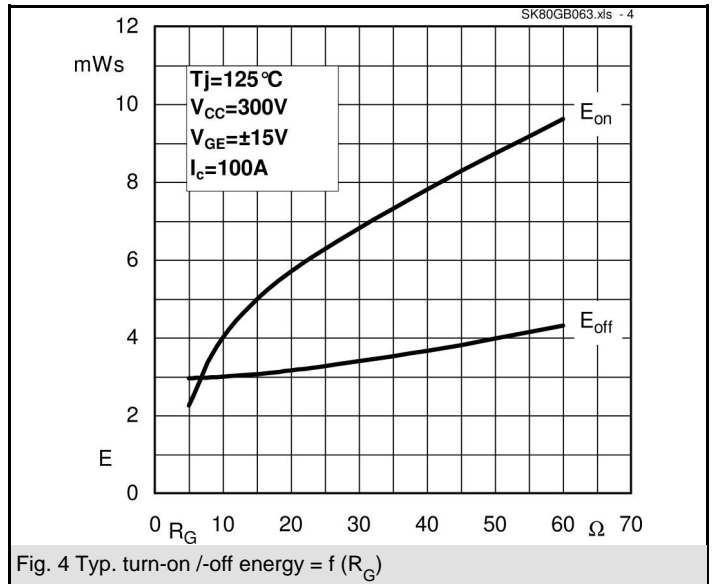
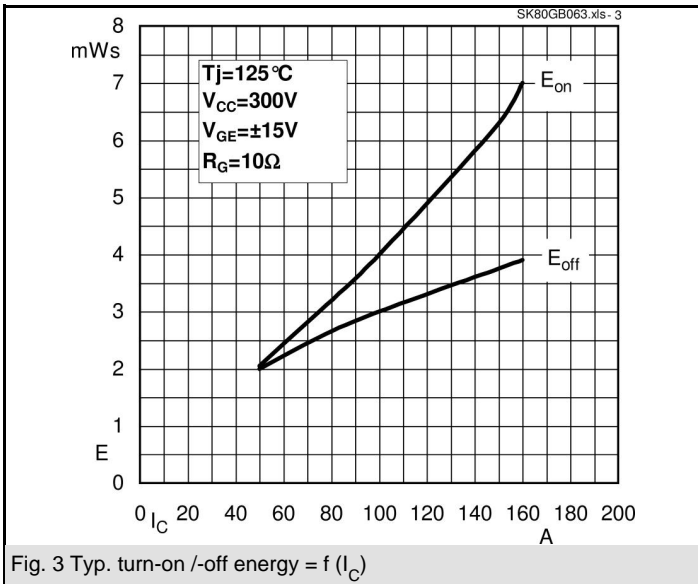
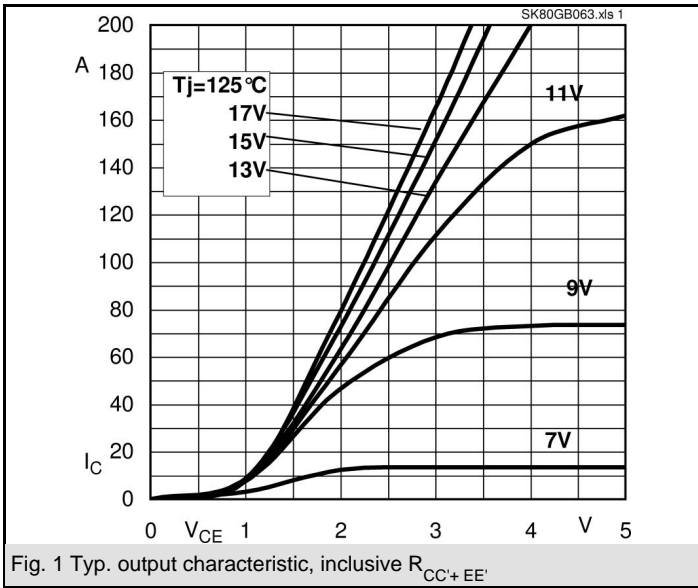
**GB**

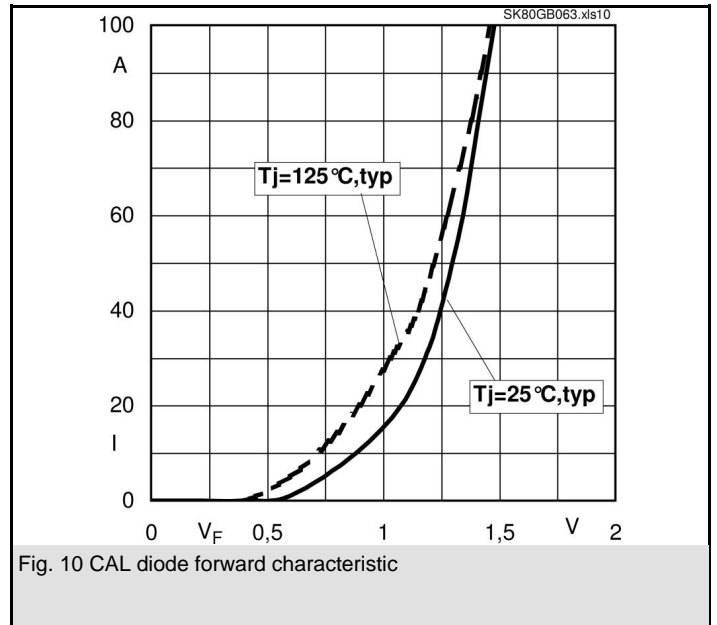
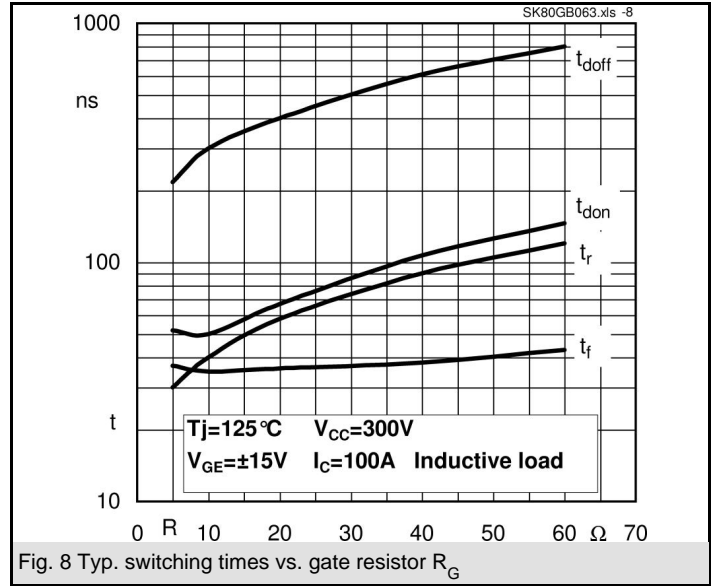
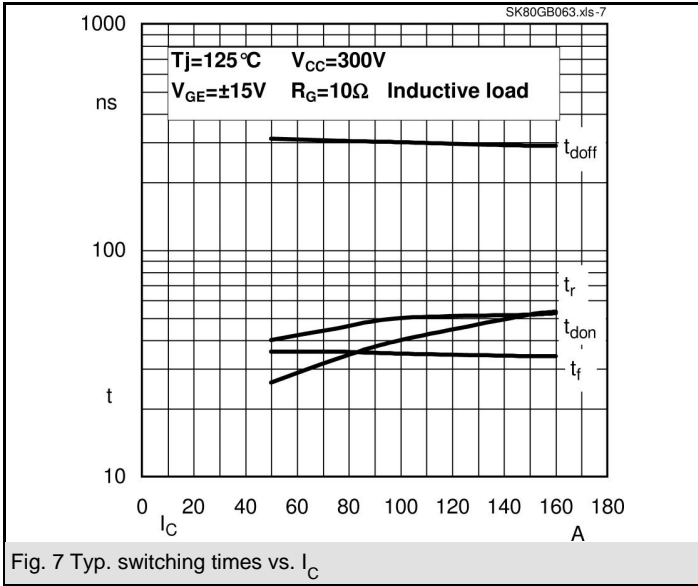
### Characteristics

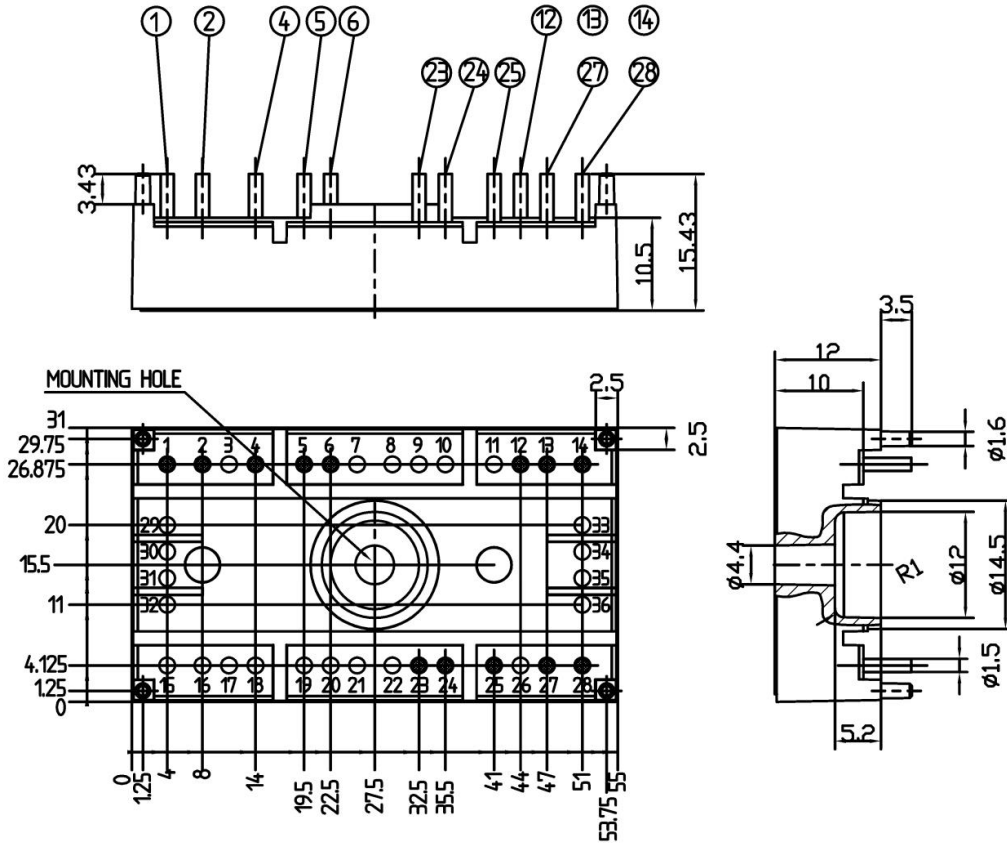
Symbol	Conditions	min.	typ.	max.	Units	
<b>Inverse Diode</b>						
$V_F = V_{EC}$	$I_{Fnom} = 60 \text{ A}; V_{GE} = 0 \text{ V}$		$T_j = 25 \text{ }^\circ\text{C}_{chiplev.}$		1,4	V
			$T_j = 125 \text{ }^\circ\text{C}_{chiplev.}$		1,3	V
$V_{F0}$			$T_j = 125 \text{ }^\circ\text{C}$	0,85	0,9	V
$r_F$			$T_j = 125 \text{ }^\circ\text{C}$	6,5	11	m $\Omega$
$I_{RRM}$	$I_F = 60 \text{ A}$		$T_j = 125 \text{ }^\circ\text{C}$		90	A
$Q_{rr}$	$di/dt = -3000 \text{ A}/\mu\text{s}$				7	$\mu\text{C}$
$E_{rr}$	$V_{CC} = 300\text{V}$				1,2	mJ
$R_{th(j-s)D}$	per diode				0,9	K/W
$M_s$	to heat sink M1	2,25		2,5		Nm
w					30	g

This is an electrostatic discharge sensitive device (ESDS), international standard IEC 60747-1, Chapter IX.

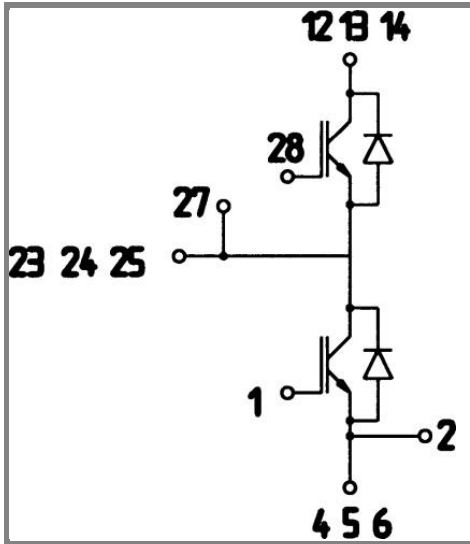
\* The specifications of our components may not be considered as an assurance of component characteristics. Components have to be tested for the respective application. Adjustments may be necessary. The use of SEMIKRON products in life support appliances and systems is subject to prior specification and written approval by SEMIKRON. We therefore strongly recommend prior consultation of our personal.







Case T26 (Suggested hole diameter, in the PCB, for solder pins and plastic mounting pins: 2mm)



Case T 26

GB