

**PLEASE CHECK WWW.MOLEX.COM FOR LATEST PART INFORMATION**

**Part Number:** [0747370004](#)  
**Status:** **Active**  
**Overview:** SFP+ and SFP Interconnect Solutions  
**Description:** SFP One Piece Cage, EMI Shielding, 2.29mm Press-Fit Tails, Belly-to-Belly

**Documents:**

[3D Model](#) [Application Specification AS-74737-001 \(PDF\)](#)  
[Drawing \(PDF\)](#) [RoHS Certificate of Compliance \(PDF\)](#)

**General**

Product Family	EMI Cages
Series	74737
Application	Module-to-Board
Application Tooling Part Link	62202-9745
Application Tooling Part Link	62202-9750
Comments	Belly-to-Belly
Component Type	Cage Assembly
Mates With	<a href="#">74720</a> SFP Copper Module, <a href="#">73929</a> SFP Cable Assembly, Passive, 2 Gbps, <a href="#">73930</a> SFP Cable Assembly, Active, 2 Gbps, <a href="#">74742</a> SFP Cable Assembly, Passive, 4 Gbps, <a href="#">74743</a> SFP Cable Assembly, Active, 4 Gbps
Overview	<a href="#">SFP+ and SFP Interconnect Solutions</a>
Product Name	SFP
UPC	822348520930
Use With	<a href="#">74441</a> Connector

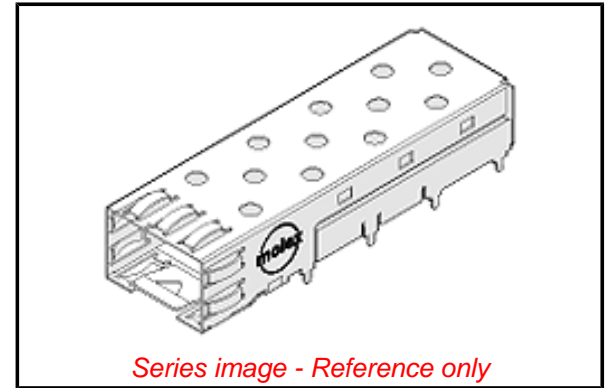
**Physical**

EMI Panel / Bezel Mount	Spring Fingers
Light Pipes per Port	0
Material - Metal	Copper Alloy
Net Weight	4.313/g
Orientation	Horizontal
Packaging Type	Tray
Port Configuration	1x1
Rear Legs	1
Termination Interface: Style	Through Hole - Compliant Pin
Thermal Height	N/A
Thermal Solutions	Closed Top

**Material Info**

**Reference - Drawing Numbers**

Application Specification	AS-74737-001
Sales Drawing	SD-74737-004



Series image - Reference only

**EU ELV**

**Not Relevant**

**EU RoHS**

**Compliant**

**China RoHS**

**REACH SVHC**

Not Contained Per - ED/21/2016 (20 June 2016)

**Halogen-Free**

**Status**

**Low-Halogen**

**Need more information on product environmental compliance?**

Email [productcompliance@molex.com](mailto:productcompliance@molex.com)  
Please visit the [Contact Us](#) section for any non-product compliance questions.

China ROHS  
ELV

Green Image  
Not Relevant

**Search Parts in this Series**

[74737](#) Series

**Application Tooling | FAQ**

*Tooling specifications and manuals are found by selecting the products below. Crimp Height Specifications are then contained in the Application Tooling Specification document.*

**Global**

Description	Product #
Multi-Port Connector Tooling	<a href="#">0622029745</a>
Removal Tool for 1 by 1 Small Form-Factor Pluggable	<a href="#">0622029750</a>