

Description

- Panel Mount, Screw-on mounting from rear-side
- 1 Function:
- Appliance Inlet, Pin temperature 70 °C, protection class I or II
- For PCB mounting

Approvals

- VDE Certificate Number: 40012767
- UL File Number: E96454
- CCC File Number: 2006010204183838

Other versions on request

- Ground terminal with quick-connect terminal 6,3 x 0,8 mm
- With solder terminals
- Variant with notch for V-Lock mating Cordsets

Weblinks

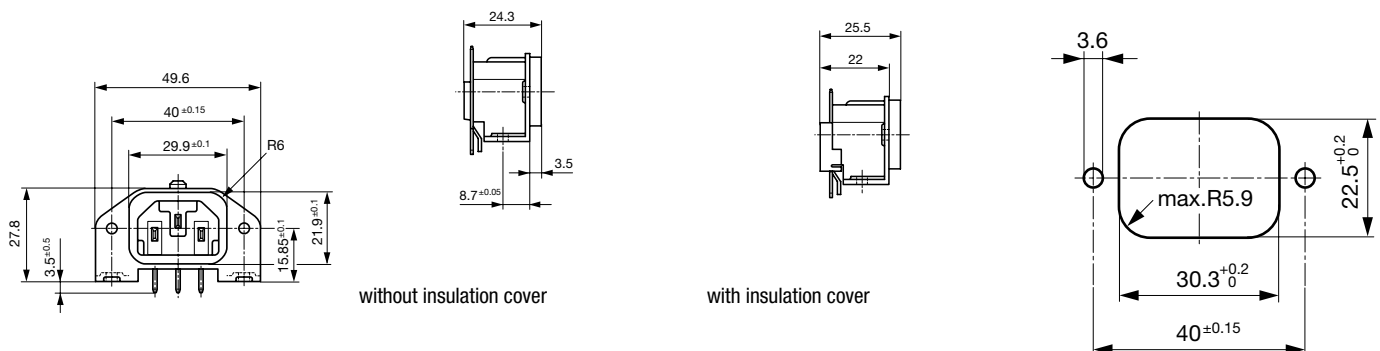
[pdf-datasheet](#), [html-datasheet](#), [General Product Information](#), [Approvals](#), [CE declaration of conformity](#), [RoHS](#), [CHINA-RoHS](#), [REACH](#), [Mating Connectors](#), [e-Shop](#), [SCHURTER-Stock-Check](#), [Distributor-Stock-Check](#), [CAD-Drawings](#), [Accessories](#), [Detailed request for product](#)

Newly available variants corresponding to V-Lock mating cordset. The connector is equipped with a notch intended for use with the latching cordset. The cord latching system prevents against accidental removal of the cordset.

Technical Data

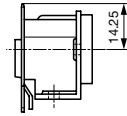
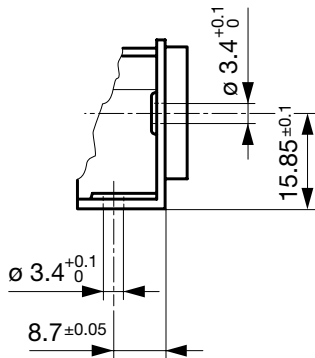
Ratings IEC	10A / 250VAC; 50Hz	Appliance Inlet	C14 / C18 acc. to IEC 60320-1,
Ratings UL/CSA	15A / 250VAC; 60Hz		UL 498, CSA C22.2 no. 42 (for cold conditions) pin-temperature 70 °C, 10A, Protection Class I or II
Dielectric Strength	> 3 kVAC between L-N > 3 kVAC between L/N-PE (1 min/50Hz)		
Allowable Operation Temp.	-25 °C to 70 °C		
Degree of Protection	from front side IP 40 acc. to IEC 60529		
Protection Class	Suitable for appliances with protection class I or II acc. to IEC 61140		
Terminal	For PCB mounting ; Ground terminal: Quick connect terminals 4.8 x 0.8 mm angled or straight Solder terminal on request		
Panel Thickness s	Screw: max 3 mm Mounting screw torque max 0.5Nm		
Material: Housing	Thermoplastic, black, UL 94V-0		

Dimensions

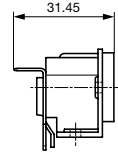


Ground terminal

Ground terminal



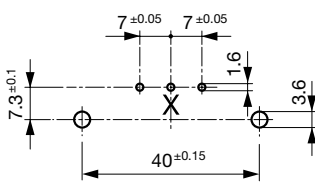
90° to connector axis



in connector axis

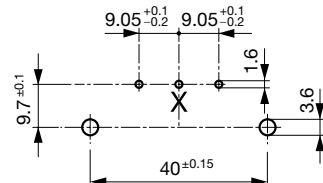
Drilling diagrams

Variants GSP1.9xxx



X deleted for protection class II

Variants GSP1.8xxx



X deleted for protection class II

All Variants

Protection Class	PCB terminal spacing	Mounting flange with	Ground terminal 4.8 x 0.8 mm	Cover	Order Number
I	7/7.3	PCB side through holes, panel side pre-inserted nuts	in connector axis	●	GSP1.9413.1
I	7/7.3	holes for screws M3	90° to connector axis		GSP1.9101.1
I	7/7.3	holes for screws M3	in connector axis		GSP1.9103.1
I	7/7.3	holes for screws M3	in connector axis	●	GSP1.9113.1
I	7/7.3	holes for self-tapping screws 3mm, 4 screws enclosed	in connector axis		GSP1.9503.1
I	7/7.3	pre-inserted nuts M3, 4 pcs.	in connector axis		GSP1.9203.1
I	7/7.3	pre-inserted nuts M3, 4 pcs.	in connector axis		GSP1.9203.121
I	9.05/9.7	PCB side through holes, panel side pre-inserted nuts	90° to connector axis		GSP1.8401.1
I	9.05/9.7	holes for screws M3	90° to connector axis		GSP1.8101.1
I	9.05/9.7	holes for screws M3	90° to connector axis	●	GSP1.8111.1
I	9.05/9.7	holes for screws M3	in connector axis		GSP1.8103.1
I	9.05/9.7	holes for self-tapping screws 3mm, 2 screws enclosed	90° to connector axis		GSP1.8601.1
I	9.05/9.7	holes for self-tapping screws 3mm, 2 screws enclosed	in connector axis	●	GSP1.8613.1
I	9.05/9.7	holes for self-tapping screws 3mm, 4 screws enclosed	90° to connector axis		GSP1.8501.1
I	9.05/9.7	holes for self-tapping screws 3mm, without screws	90° to connector axis		GSP1.8701.1
I	9.05/9.7	pre-inserted nuts M3, 4 pcs.	90° to connector axis		GSP1.8201.1
I	9.05/9.7	pre-inserted nuts M3, 4 pcs.	90° to connector axis	●	GSP1.8211.1
I	9.05/9.7	pre-inserted nuts M3, 4 pcs.	in connector axis		GSP1.8203.1
II	7/7.3	holes for screws M3	-		GSP1.9100.1
II	7/7.3	holes for screws M3	-	●	GSP1.9110.1
II	7/7.3	holes for self-tapping screws 3mm, 4 screws enclosed	-		GSP1.9500.1
II	7/7.3	pre-inserted nuts M3, 4 pcs.	-		GSP1.9200.1
II	9.05/9.7	holes for screws M3	-		GSP1.8100.1
II	9.05/9.7	holes for screws M3	-	●	GSP1.8110.1
II	9.05/9.7	holes for self-tapping screws 3mm, 4 screws enclosed	-		GSP1.8500.1
II	9.05/9.7	pre-inserted nuts M3, 4 pcs.	-		GSP1.8200.1

Most Popular.

Availability for all products can be searched real-time: <http://www.schurter.com/Stock-Check/Stock-Check-SCHURTER>

Protection Class	PCB terminal spacing	Mounting flange with	Ground terminal 4.8 x 0.8 mm	Cover	Order Number
------------------	----------------------	----------------------	------------------------------	-------	--------------

Suffix "21" corresponds to the version with V-Lock mating cordset. The connector is equipped with a notch intended for use with the latching cordset. The cord latching system prevents against accidental removal of the cordset.

Packaging unit 50 Pcs

Mating Outlets/Connectors

Category / Description

Connector Overview complete



4782 Mounting: Power Cord, 3 x 1 mm ² / 3 x 18 AWG, Cable, Connector: IEC C13	4782
4022 Mounting: Power Supply Cord, 3 x 1.5 mm ² , Screw clamps, Connector: IEC C13	4022
4785 Mounting: Power Cord, 3 x 1 mm ² / 3 x 18 AWG, Cable, Connector: IEC C13	4785
4300-06 Mounting: Power Cord, 3 x 1 mm ² / 3 x 18 AWG, Cable, Connector: IEC C13	4300-06
4012 Mounting: Power Supply Cord, 3 x 1.5 mm ² , Screw clamps, Connector: IEC C13	4012
Connector further types to GSP1	...

Interconnection Cord Overview complete



Cord Sets 10 A, Interconnection, 1.0 m, Connector IEC C13, cord end:	6007.0212
Cord Sets 10 A, Interconnection, 2.0 m, Connector IEC C13, cord end:	6007.0214
Interconnection Cord further types to GSP1	...

Power Cord Overview complete



Cord Sets 10 A, Interconnection, 2.0 m, IEC cord end:	6007.0204
Power Cord further types to GSP1	...

Power Supply Cord Overview complete



Cord Sets 10 A, Europlug, 2.5 m, Connector IEC C13, cord end:	6004.0215
Cord Sets 10 A, Europlug, 2.5 m, Connector IEC C13, cord end:	6003.0215
Cord Sets 10 A, uninsulated wires, 2.0 m, Connector IEC C13, cord end:	6000.0224
Cord Sets 10 A, uninsulated wires, 2.0 m, Connector IEC C13, cord end:	6000.0214
Cord Sets 10 A, United Kingdom, 2.5 m, Connector IEC C13, cord end:	6044.0215
Power Supply Cord further types to GSP1	...

Power Supply or Interconnection Cord Overview complete



Cord Sets 10 A, United Kingdom, 2.0 m, Connector IEC cord end:	6044.0204
Kabelverbindung 10 A, United Kingdom, 2.0 m, Connector IEC C13, cord end:	6045.0114
Kabelverbindung 10 A, diverse, diverse m, Connector IEC C13, cord end:	6003.0205
Kabelverbindung 10 A, diverse, diverse m, Connector IEC C13, cord end:	6026.0205
Kabelverbindung 10 A, diverse, diverse m, Connector IEC C13, cord end:	6049.0007
Power Supply or Interconnection Cord further types to GSP1	...

Mating Outlets/Connectors shuttered

Power Cord Overview complete



VAC17KS, North America, V-Lock cord retaining, 2.0 m, Connector C17, cord end:	6051.2801
VAC17KS, North America, V-Lock cord retaining, 2.0 m, Connector C17, cord end:	6051.2811
VAC17KS, Europlug, V-Lock cord retaining, 2.0 m, Connector IEC C17, cord end:	6051.2803
VAC17KS, Europlug, V-Lock cord retaining, 2.0 m, Connector IEC C17, cord end:	6051.2813
VAC13KS, Overview, diverse Connector IEC C13, cord end:	VAC13KS

[Power Cord further types to GSP1](#)