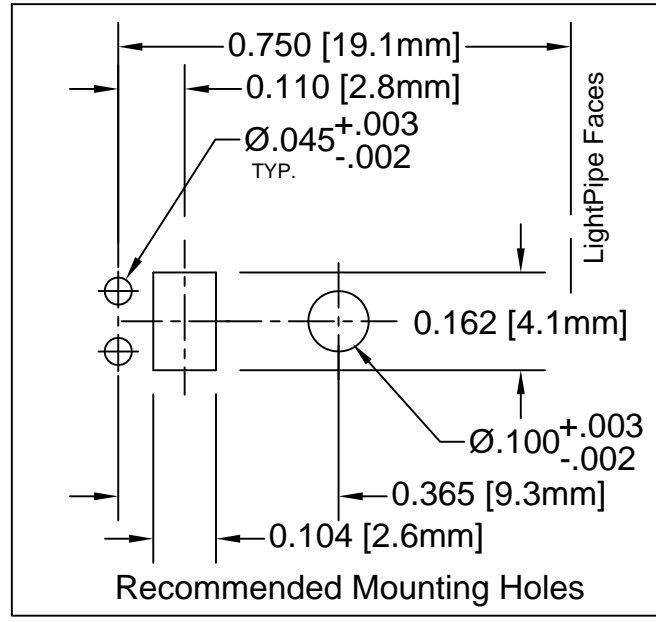
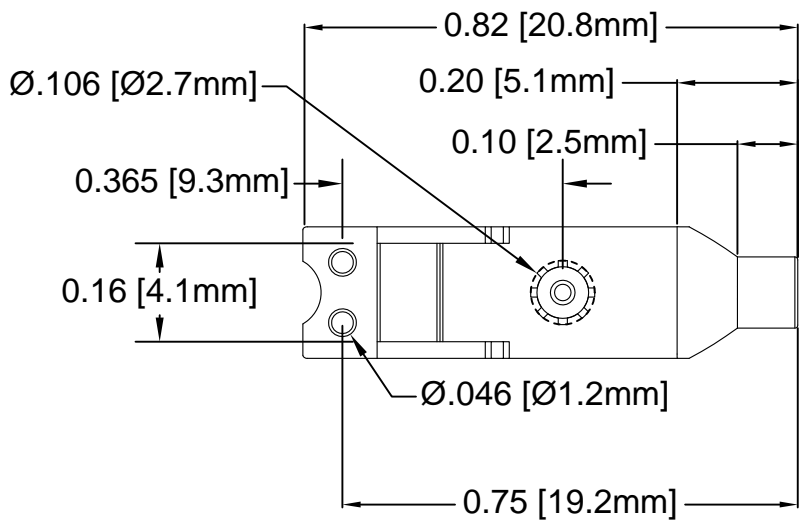
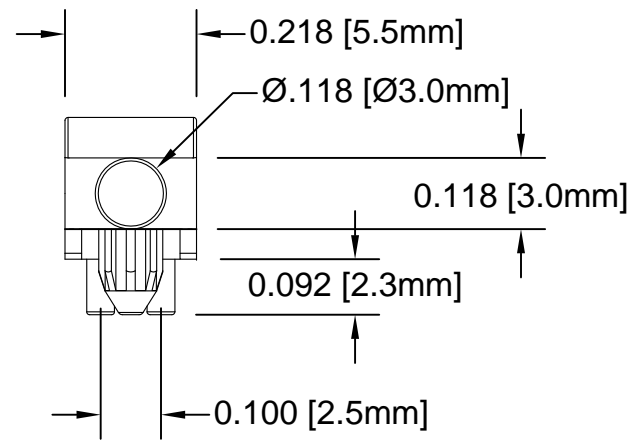
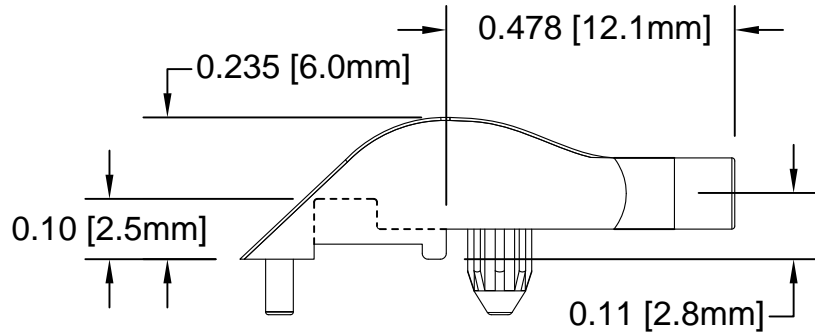


REV.	DESCRIPTION	DATE	APPROVED
B	Engineering Update w/o Changes	03/09/04	M. C.
C	Material Code Correction	02/08/07	M. C.
D	Updated Material Note and Mounting Holes Dim.	02/03/14	J. C.
E	Engineering Update w/o Changes	02/05/16	J. C.



2. MATERIAL: POLYCARBONATE, 94V-0, CLEAR.
 1. GENERAL SPECIFICATIONS: BIVAR MOLDED COMPONENT SPECIFICATION BV00-E101.

STANDARD TOLERANCE (UNLESS OTHERWISE SPECIFIED)		BIVAR®	
DECIMALS	ANGULAR	4 THOMAS, IRVINE, CA. 92618	
.X ± .1	X° ± 1°	TEL: (949) 951-8808 FAX: (949) 951-3974	
.XX ± .01		TITLE: LIGHT PIPE, 90° SURFACE MOUNT	
.XXX ± .005		PART NO: SLP-1-3	
DESIGNED: Shane Irving	DATE: 11/23/98	REVISION: E	
CHECKED: D. Green	DATE: 12/04/02	CAGE CODE : 32559 SHEET # 1 OF 1	
CAD GENERATED DOCUMENT. DO NOT MEASURE DRAWING.			