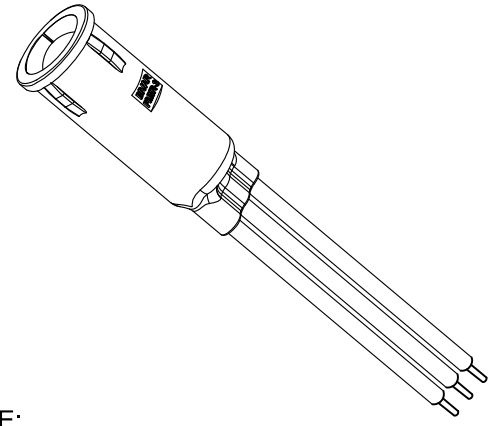
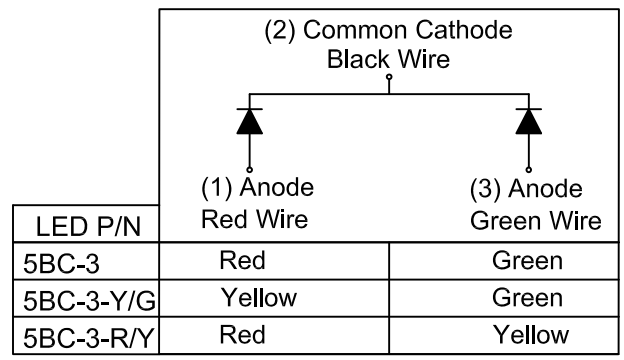
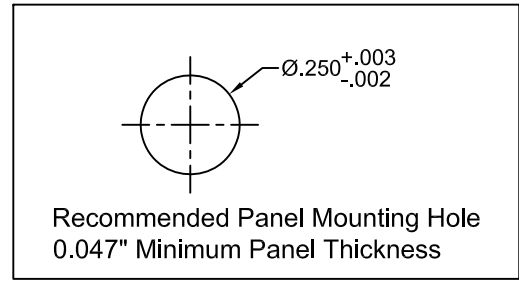
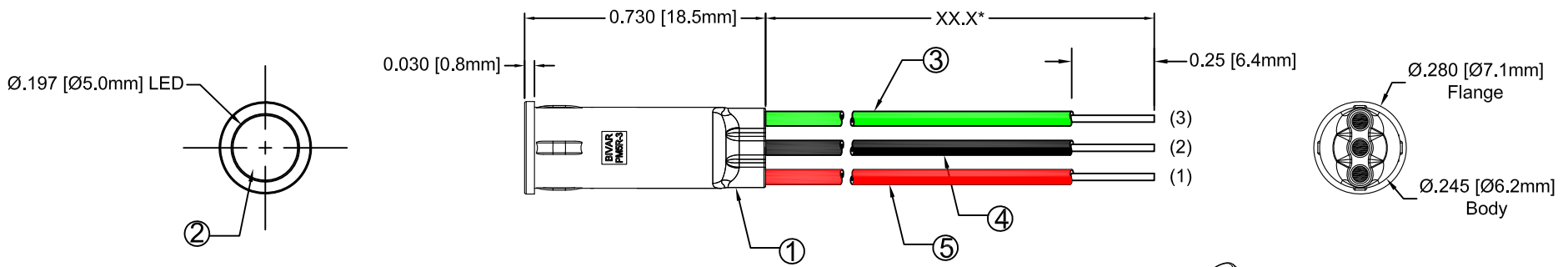


ITEM	Q'TY	PART NUMBER	PART DESCRIPTION
1	1	PM5R-3	LED Holder, 3-Lead Panel Mount, Press Fit, (5mm)
2	1	5BC-3-XX	T1 ¼ (5mm) 3-Lead Shouldered LED, See Page 2.
3	1	BWS24-1061-GN	24AWG Wire Lead U.L. 1061, Green
4	1	BWS24-1061-BK	24AWG Wire Lead U.L. 1061, Black
5	1	BWS24-1061-RD	24AWG Wire Lead U.L. 1061, Red

REV.	DESCRIPTION	DATE	APPROVED
A	Engineering Release	12/02/08	T. Y.
B	Updated 5BC-3 LED on Polarity Diagram	09/01/09	T. Y.
C	Added Optical/ Electrical Data	05/21/15	J. C.



EXAMPLE:  
**PM5R3 - BC W12.5**  
 XX.X = Wire Length "XX.X"  
 Emitted Colors  
 3-Lead Panel Mount Series, Recessed


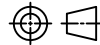
## ABSOLUTE MAXIMUM RATINGS (Ta = 25°C)

REVERSE VOLTAGE \_\_\_\_\_ 5V  
 REVERSE CURRENT ( VR=5V) \_\_\_\_\_ 100µA  
 OPERATING TEMPERATURE RANGE \_\_\_\_\_ -25°C ~ 85°C  
 STORAGE TEMPERATURE \_\_\_\_\_ -30°C ~ 100°C  
 LEAD SOLDERING TEMPERATURE (1/16" FROM BODY) \_\_\_\_\_ 260°C for 5 Seconds

STANDARD TOLERANCE (UNLESS OTHERWISE SPECIFIED)		 <b>BIVAR</b> ® 4 THOMAS, IRVINE, CA. 92618 TEL: (949) 951-8808 FAX: (949) 951-3974	
DECIMALS	ANGULAR		
.X ± .1	X° ± 1°	 <b>TITLE:</b> T1 ¼ (5mm) PANEL MOUNT ASSEMBLY, 3-LEAD RECESSED	
.XX ± .02			
.XXX ± .010			
DESIGNED: <b>Brian Olliver</b>	DATE: <b>12/02/08</b>	<b>PART NO:</b> PM5R3-XXWXX.X	REVISION: <b>C</b>
CHECKED: <b>F. Jensen</b>	DATE: <b>12/02/08</b>	<b>CAGE CODE:</b> 32559	<b>SHEET # 1 OF 2</b>
CAD GENERATED DOCUMENT, DO NOT MEASURE DRAWING.			

REV.	DESCRIPTION	DATE	APPROVED
	SEE SHEET#1.		

Assy. Part No.	Chip			Lens Appearance	Electro-Optical Data @ 20mA				Viewing Angle 2 θ ½ (Deg)	LED P/N	
	Material	Peak Wave Length	Emitted Color		If (mA)	Vf (V)		Iv (mcd)			
						MAX	TYP	MAX			TYP
PM5R3-BCWXX.X	GaAsP/GaP	625nm	RED	WHITE DIFFUSED	30	2.0	2.8	35	40	5BC-3	
	GaP/GaP	568nm	GREEN		30	2.1	2.8	35			
PM5R3-YGWXX.X	GaAsP/GaP	590nm	YELLOW	WHITE DIFFUSED	30	2.0	2.8	30	40	5BC-3-Y/G	
	GaP/GaP	568nm	GREEN		30	2.1	2.8	35			
PM5R3-RYWXX.X	GaAsP/GaP	625nm	RED	WHITE DIFFUSED	30	2.0	2.8	35	40	5BC-3-R/Y	
	GaAsP/GaP	590nm	YELLOW		30	2.0	2.8	30			

STANDARD TOLERANCE ( UNLESS OTHERWISE SPECIFIED ) ±10% ALL VALUES      ANGULAR		 <b>BIVAR</b> <sup>®</sup> 4 THOMAS, IRVINE, CA, 92618 TEL: (949) 951-8808    FAX: (949) 951-3974	
			
DESIGNED: <b>Brian Oliver</b>	DATE: <b>12/02/08</b>	<b>PART NO:</b> <b>PM5R3-XXWXX.X</b>	REVISION: <b>C</b>
CHECKED: <b>F. Jensen</b>	DATE: <b>12/02/08</b>		<b>CAGE CODE : 32559</b> <b>SHEET # 2 OF 2</b>
CAD GENERATED DOCUMENT, DO NOT MEASURE DRAWING.			