

IEC Appliance Inlet C8, Snap-in Mounting, Front Side, Solder Terminal



Snap-In Version



Description

- Panel Mount:
Snap-in version, from front side
- 1 Function
- Appliance Inlet, Pin temperature 70 °C, Protection class II
- Solder terminals

Approvals

- UL File Number: E96454
- CSA File Number: 73165
- CCC File Number: 2011010204483971

Characteristics

- Contact pins rolled

References

Alternative: version with line filter 5008

Weblinks

[pdf-datasheet](#), [html-datasheet](#), [General Product Information](#), [Approvals](#), [CE declaration of conformity](#), [RoHS](#), [CHINA-RoHS](#), [REACH](#), [Mating Connectors](#), [e-Shop](#), [SCHURTER-Stock-Check](#), [Distributor-Stock-Check](#), [CAD-Drawings](#), [Accessories](#), [Detailed request for product](#)

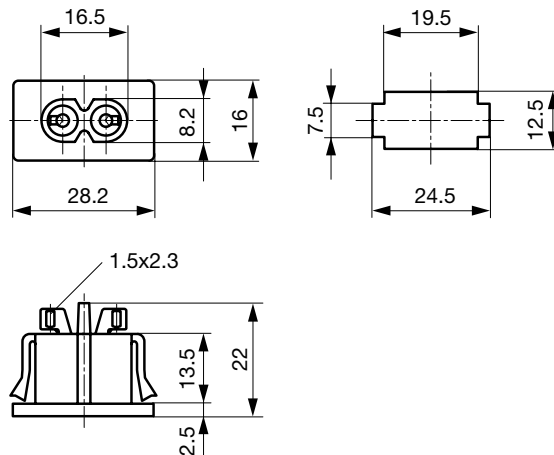
Technical Data

Ratings IEC	2.5 A / 250 VAC; 50 Hz
Ratings UL/CSA	2.5 A / 250 VAC; 60 Hz
Dielectric Strength	> 2 kVAC between L-N (1 min/50 Hz)
Allowable Operation Temp.	-25 °C to 70 °C
Degree of Protection	from front side IP 40 acc. to IEC 60529
Protection Class	Suitable for appliances with protection class II acc. to IEC 61140
Terminal	Solder terminals
Panel Thickness s	Snap-in from 0.8 - 1.6 mm
Material: Housing	Thermoplastic, black, UL 94V-0

Appliance Inlet	C8 acc. to IEC 60320, UL 498, CSA C22.2 no. 42 (for cold conditions) pin-temperature 70 °C, 2.5 A, Protection Class II
-----------------	--

Dimensions

0721-PS



Solder terminals for wires

All Variants

Type	Panel mounting	Panel Thickness s [mm]	Terminal	Order Number
0721-PS	Snap-in	0.8 - 1.6	Solder terminals	4300.0098

Most Popular.

Availability for all products can be searched real-time: <http://www.schurter.com/en/Stock-Check/Stock-Check-SCHURTER>

Packaging unit 100 Pcs

Mating Outlets/Connectors

Category / Description

Power Cord Overview complete



Cord Sets 2.5 A, IEC Connector, Black, 2.0 m, H03VH2-F 2x0,75mm², Connector IEC C7, 001500 mm, cord end: [6013.0474](#)

Cord Sets 2.5 A, IEC Connector, Black, 4.0 m, H03VH2-F 2x0,75mm², Connector IEC C7, 001500 mm, cord end: [6013.0478](#)

Kabelverbindung/2.5, IEC Connector, Black, 2.0 m, H03VH2-F 2x0,75mm², Connector IEC C7, 001500 mm, cord end: [6051.0015](#)

[Power Cord further types to 0721-PS](#)

Power Supply Cord Overview complete



Cord Sets 2.5 A, North America, Black, 2.0 m, SVT 2x18AWG, Connector IEC C7, 002500 mm, cord end: [6010.5274](#)

Cord Sets 2.5 A, North America, Black, 4.0 m, SVT 2x18AWG, Connector IEC C7, 002500 mm, cord end: [6010.5278](#)

Kabelverbindung/2.5, North America, Black, 2.5 SVT 2x18AWG, IEC C7, 002500 mm, cord end: [6051.0018](#)

[Power Supply Cord further types to 0721-PS](#)