

## TPL5000EVM User's Guide

### 1 Introduction

The Texas Instruments TPL5000EVM evaluation module (EVM) allows a designer to configure the delay timers of the TPL5000 and measure its very low current consumption. Moreover, the TPL5000EVM is ready to be connected to the Launchpads of MSP430, Stellaris and C2000, in order to test its watchdog, timer cycling, and power cycling features.

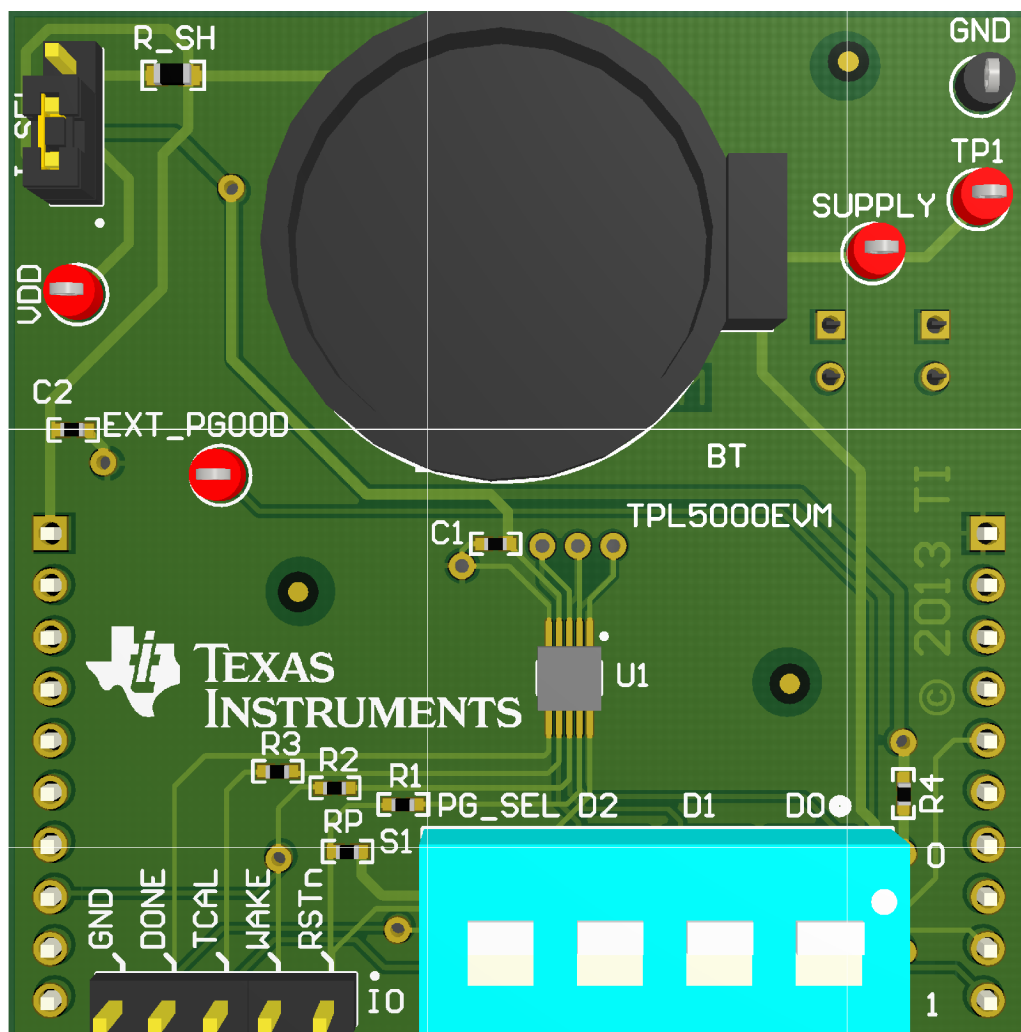


Figure 1. The LMP91010 Evaluation Board

### 2 Setup

This section describes how to properly connect, set up and use the TPL5000EVM.

## 2.1 INPUT/OUTPUT CONNECTORS AND JUMPER DESCRIPTION

|              |  |
|--------------|--|
| <b>I_SEL</b> | selects the current consumption measurement method: Open, current consumption measured with DMM connected between TP1 and VDD test points. 3-2 shorted, current consumption = Voltage drop on R_SH divided by R_SH 1-2 R_SH bypass |
| <b>IO</b>    | 5-pin header connector to bring out RSTn, WAKE, TCAL, DONE and GND signals.  |
| <b>S1</b>    | 4 SPDT positions to set the D0, D1, D2 logic values and the source of the PGOOD signal (refer to <a href="#">Table 1</a> )   |

**Table 1. S1 Description**

| Description | Slider position | Value               |
|-------------|-----------------|---------------------|
| PG_SEL      | Top             | 0                   |
|             | Bottom          | 1 or External PGOOD |
| D2          | Top             | 0                   |
|             | Bottom          | 1                   |
| D1          | Top             | 0                   |
|             | Bottom          | 1                   |
| D0          | Top             | 0                   |
|             | Bottom          | 1                   |

In case the PGOOD is provided by an external power supply, set PG\_SEL=1, Remove the REPG resistor and connect a power supply to the EXT\_PGOOD test point.

|                  |  |
|------------------|--|
| <b>VCC</b>       | 2- pin female connector to plug the TPL5000EVM into MSP430 launchpad.                  |
| <b>RST</b>       | 2- pin female connector to plug the TPL5000EVM into MSP430 launchpad.                  |
| <b>J1_10</b>     | 10-pin female connector to plug the TPL5000EVM into MSP430 launchpad.                  |
| <b>J11_20</b>    | 10-pin female connector to plug the TPL5000EVM into MSP430 launchpad.                  |
| <b>SUPPLY</b>    | test point to connect external supply voltage in alternative to the coin cell battery. |
| <b>VDD</b>       | test point to monitor VDD pin of TPL5000.  |
| <b>TP1</b>       | test point to monitor the external supply voltage or coin cell battery voltage.        |
| <b>EXT_PGOOD</b> | test point to connect external voltage supply for PGOOD signal.                        |
| <b>GND</b>       | test point of the ground, connect here the GND of the power supplies.                  |
| <b>BT</b>        | coin cell 2032 battery holder.   |

## 2.2 EVALUATION BOARD CONFIGURATION

The evaluation board can work standalone or plugged into the MSP430 launchpad; the following steps apply to both usages:

- Set the desired delay, configuring S1 (from position 2 to 4).
- Set the POWER GOOD source, configuring S1 (position 1). If you set the external source, connect the voltage source between the EXT\_PGOOD and GND test points; do not turn on this voltage source. Refer to the data sheet regarding the allowable voltage range. This can be found on the MSP430 LaunchPad Wiki ([MSP430 LaunchPad \(MSP-EXP430G2\) Wiki](#))
- Configure I\_SEL as explained in [Section 2.1](#).
- Plug the evaluation board in to the launchpad according to [Table 2](#).

### 2.2.1 EVM Plugged into MSP430 Launchpad

- Load the code present in [Section 5](#) of this User's Guide, into the MSP430 of the launchpad. Refer to the MSP430 launchpad documentation ([MSP430 LaunchPad \(MSP-EXP430G2\) Wiki](#)) for more details.
- Remove the jumpers VCC and RST of J3 header of the launchpad.

- Set the desired delay, configuring S1 (from position 2 to 4).
- Set the POWER GOOD source configuring S1 (position 1), if you set external source connect the voltage source between the EXT\_PGOOD and GND test points; do not turn on this voltage source. Refer to the data sheet regarding the allowable voltage range. This can be found on the MSP430 LaunchPad Wiki ([MSP430 LaunchPad \(MSP-EXP430G2\) Wiki](#)).
- Configure I\_SEL as explained in [Section 2.1](#).
- Plug the evaluation board into the launchpad according to [Table 2](#).

**Table 2. TPL5000EVM to Launchpad Connection**

| TPL5000EVM | MSP430 Launchpad |
|------------|------------------|
| J1_10      | J1               |
| J11_20     | J2               |
| VCC        | VCC of J3        |
| RST        | RST of J3        |

- Insert a 2032 coin cell battery in the battery holder (BT), or alternatively connect a voltage source between the SUPPLY and GND test points. **DO NOT CONNECT THE COIN CELL BATTERY AND THE VOLTAGE SOURCE TO SUPPLY THE EVALUATION BOARD AT SAME TIME.**
- Power on the voltage sources connected to the EVM.

### 2.2.1.1 SOFTWARE OF THE MSP430

Once loaded into the MSP430 of the launchpad, the code in [Section 5](#) of this User's Guide performs the following features:

- At power on, the red LED present on the Launchpad is turned ON.
- As soon as the MSP430 receives a RESET signal from the TPL5000, the red LED blinks.
- As soon as the MSP430 receives a WAKE signal from the TPL5000, the green LED blinks.
- The S2 button of the Launchpad acts as a toggle button; the first push of the button does not allow the MSP430 to send the DONE signal to the TPL5000, a second push of the button allows the MSP430 to send the DONE signal.

### 2.2.2 EVM Standalone

- Connect your micro controller to the IO header, in order to manage the I/O signal of the DUT.
- Insert a 2032 coin cell battery in the battery holder (BT), or alternatively connect a voltage source between the **SUPPLY and GND test points. DO NOT CONNECT THE COIN CELL BATTERY AND THE VOLTAGE SOURCE TO SUPPLY THE EVALUATION BOARD AT SAME TIME.**
- Power on the voltage sources connected to the EVM.
- **DO NOT LEAVE DONE PIN** (4th pin of IO header) **FLOATING**. If supervisor feature is not needed, connect DONE pin to GND.

## 3 Supply Current Measurement

The TPL5000EVM offers 2 ways to measure the current consumption of the DUT. First, disconnect the TPL5000 from the launchpad or your micro controller, in order to not load the digital output pins of the DUT.

### 3.1 DIRECT MEASUREMENT

- Leave the I\_SEL 3-pin header open.
- **DO NOT LEAVE DIGITAL INPUT PINS FLOATING**; for instance:
  - Short the DONE pin (4th pin of IO header) to GND
  - Set PGOOD =1 (see [Table 1](#))
- Connect a Digital Multi Meter, configured as the current meter (able to measure nA), between TP1 and

VDD test points.

- Read the current consumption on the DMM.

### 3.2 INDIRECT MEASUREMENT

- Short pin 2 and 3 of I\_SEL.
- DO NOT LEAVE DIGITAL INPUT PINS FLOATING; for instance:
  - Short the DONE pin (4th pin of IO header) to GND
  - Set PGOOD =1 (see [Table 1](#))
- Connect a Digital Multi Meter, configured as a voltage meter, between TP1 and VDD test points.
- Read the voltage drop on the R\_SH on the DMM.
- The current consumption is simply the voltage drop on R\_SH, divided by 1Mohm.

## 4 Bill of Materials (BOM)

**Table 3. Bill of Material TPL5000EVM**

| DESIGNATOR                        | DESCRIPTION   | PART NUMBER             | MANUFACTURER                 | QUANTITY |
|-----------------------------------|---|-------------------------|------------------------------|----------|
| BT                                | HOLDER COINCELL 2032<br>RETAINRCLIP                     | BS-7                    | Memory Protection<br>Devices | 1        |
| C1, C2                            | CAP CER 0.1UF 6.3V 10%<br>X5R 0402                      | C1005X5R0J104K05<br>0BA | TDK                          | 2        |
| EXT_PGOOD,<br>SUPPLY,<br>TP1, VDD | TEST POINT PC MINI .040                                 | 5000                    | Keystone                     | 4        |
| GND                               | TEST POINT PC MINI .040                                 | 5001                    | Keystone                     | 1        |
| IO                                | CONN HEADER 5POS .100                                   | TSW-105-07-G-S          | Samtec, Inc.                 | 1        |
| I_SEL                             | CONN HEADER 3POS .100                                   | TSW-103-07-G-S          | Samtec, Inc.                 | 1        |
| J1_10,<br>J11_20                  | Connector, Receptacle, 100mil,<br>10x1, Gold plated, TH | SSW-110-01-G-S          | Samtec, Inc.                 | 2        |
| R1, R2, R3                        | RES 1.0K OHM 1/16W 5%<br>0402 SMD                       | CRCW04021K00JNE<br>D    | Vishay-Dale                  | 3        |
| R4                                | RES 49.9K OHM 1/16W 1%<br>0402 SMD                      | CRCW040249K9FKE<br>D    | Vishay-Dale                  | 1        |
| REPG                              | RES 0.0 OHM 1/16W JUMP<br>0402 SMD                      | CRCW04020000Z0E<br>D    | Vishay-Dale                  | 1        |
| RP                                | RES 100K OHM 1/16W 5%<br>0402 SMD                       | CRCW0402100KJNE<br>D    | Vishay-Dale                  | 1        |
| RST, VCC                          | CONN RECEPT 2POS .100<br>VERT DUAL                      | 5-534206-1              | TE Connectivity              | 2        |
| R_SH                              | RES 1.00M OHM 1/10W 1%<br>0603 SMD                      | CRCW06031M00FKE<br>A    | Vishay-Dale                  | 1        |
| S1                                | SWITCH SPDT GOLD  | 206-124                 | CTS Electrocomponents        | 1        |
| SH-J1                             | SHUNT JUMPER .1   | 969102-0000-DA          | 3M                           | 1        |
| U1                                | Nano Power Programmable<br>Timer and Supervisor         | TPL5000DGS              | Texas Instruments            | 1        |

## 5 Source Code of MSP430 Present in the Launchpad

```
#include <msp430g2553.h>

volatile unsigned int DONE=1;

void main(void)
{
    WDTCTL = WDTPW + WDTHOLD + WDTNMI + WDTNMIIES; // WDT off NMI hi/lo
```

```

P1DIR |= BIT0;           // Set P1.0 to output direction RED LED
P1DIR |= BIT6;           // Set P1.6 to output direction GREEN LED
P1DIR &= ~BIT3;          // Set P1.3 S2 button to input
P2DIR &= ~BIT0;          // Set P2.0 (WAKE) to input
P2DIR |= BIT4;           // Set P2.4 (Done) to output direction

P1OUT |= BIT0;           // RED LED ON
__delay_cycles(25000);   // delay 25ms
P1OUT &= ~BIT0;          // Clear P1.0 RED LED Off

//BUTTON S2 configuration
P1REN |= BIT3;           // Pull-up resistor enabled
P1IE  |= BIT3;           // P1.3 interrupt enabled
P1IES |= BIT3;           // P1.3 Hi/Lo edge
P1IFG &= ~BIT3;         // P1.3 IFG cleared

// WAKE signal
P2IE  |= BIT0;           // P2.0 interrupt enabled
P2IES &= ~BIT0;         // P2.0 Lo/Hi edge
P2IFG &= ~BIT0;         // P2.0 IFG cleared

// DONE signal
P2OUT |= BIT4;           // Done High
__delay_cycles(100);     // delay 100u
P2OUT &= ~BIT4;         // Done Low

IE1  |= NMIIE;           // Enable NMI

_BIS_SR(LPM4_bits + GIE); // Enter LPM4 with Interrupt enabled
}

#pragma vector=NMI_VECTOR
__interrupt void nmi_ (void)
{
P1OUT |= BIT0;           // P1.0 Red Led On
__delay_cycles(200000);  // delay 200ms
P1OUT &= ~BIT0;         // P1.0 Red Led Off

if (DONE==1)
{
P2OUT |= BIT4;           // Done On
__delay_cycles(100);     // delay 100us
P2OUT &= ~BIT4;         // Done Off
}
IFG1 &= ~NMIIFG;        // Re-clear NMI flag in case bounce
IE1  |= NMIIE;          // Enable NMI
}

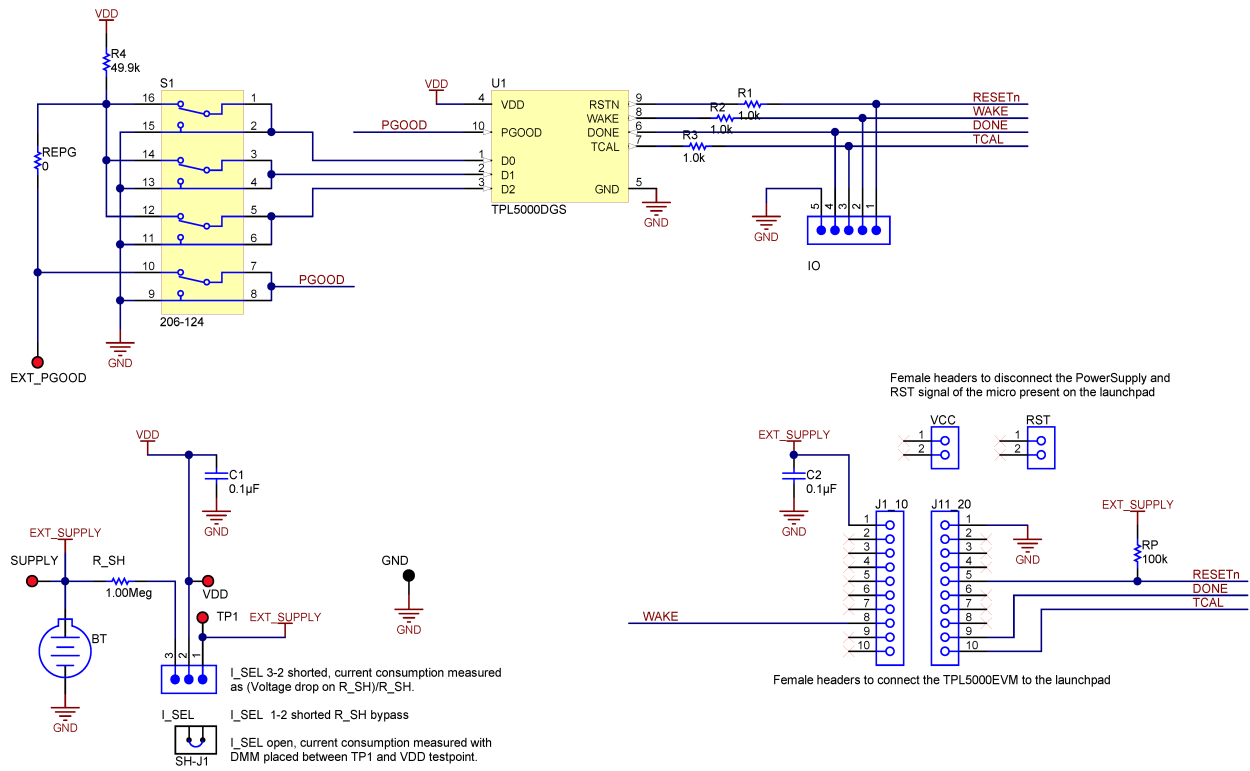
// Port 2 interrupt service routine
#pragma vector=PORT2_VECTOR
__interrupt void Port_2(void)
{
P1OUT |= BIT6;           // P1.6 Red Green On
__delay_cycles(200000);  // delay 200ms
P1OUT &= ~BIT6;         // P1.6 Red Green Off

if (DONE==1)
{
P2OUT |= BIT4;           // Done On
__delay_cycles(100);     // delay 100us
P2OUT &= ~BIT4;         // Done Off
}
P2IES &= ~BIT0;         // P1.4 Lo/Hi edge
P2IFG &= ~BIT0;         // P1.4 IFG cleared
}

```

```
// Port 1 interrupt service routine
#pragma vector=PORT1_VECTOR
__interrupt void Port_1(void)
{
    if (DONE == 1) // enabled/disabled and viceversa DONE signal
    {
        DONE = 0;
    }
    else
    {
        DONE = 1;
    }
    P1IFG &= ~BIT3; // P1.3 IFG cleared
    P1IES |= BIT3; // P1.3 Hi/Lo edge
}
```

## Appendix A Schematic



Appendix B Layout

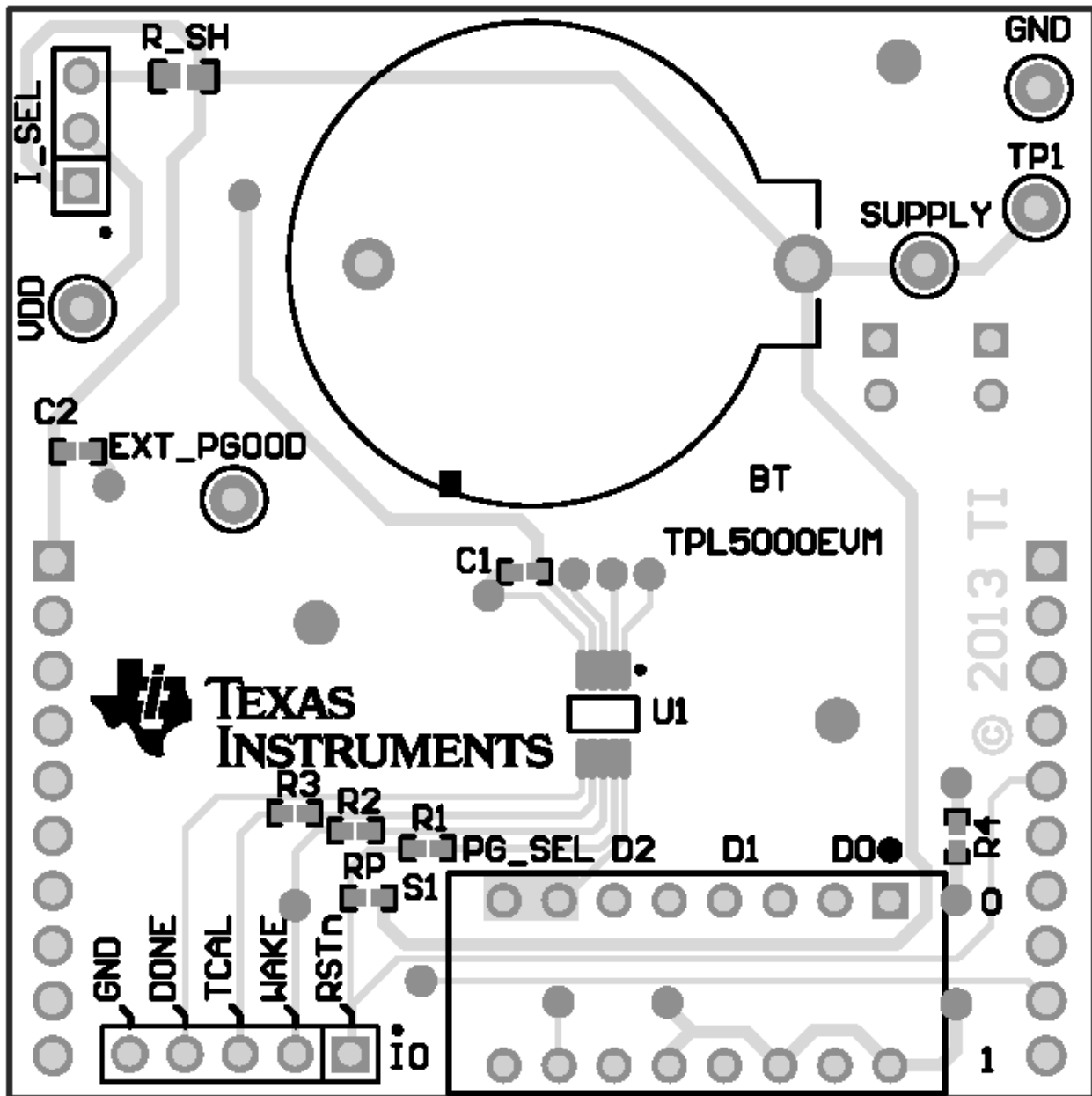


Figure 2. Layout  
Top Layer  
Silkscreen



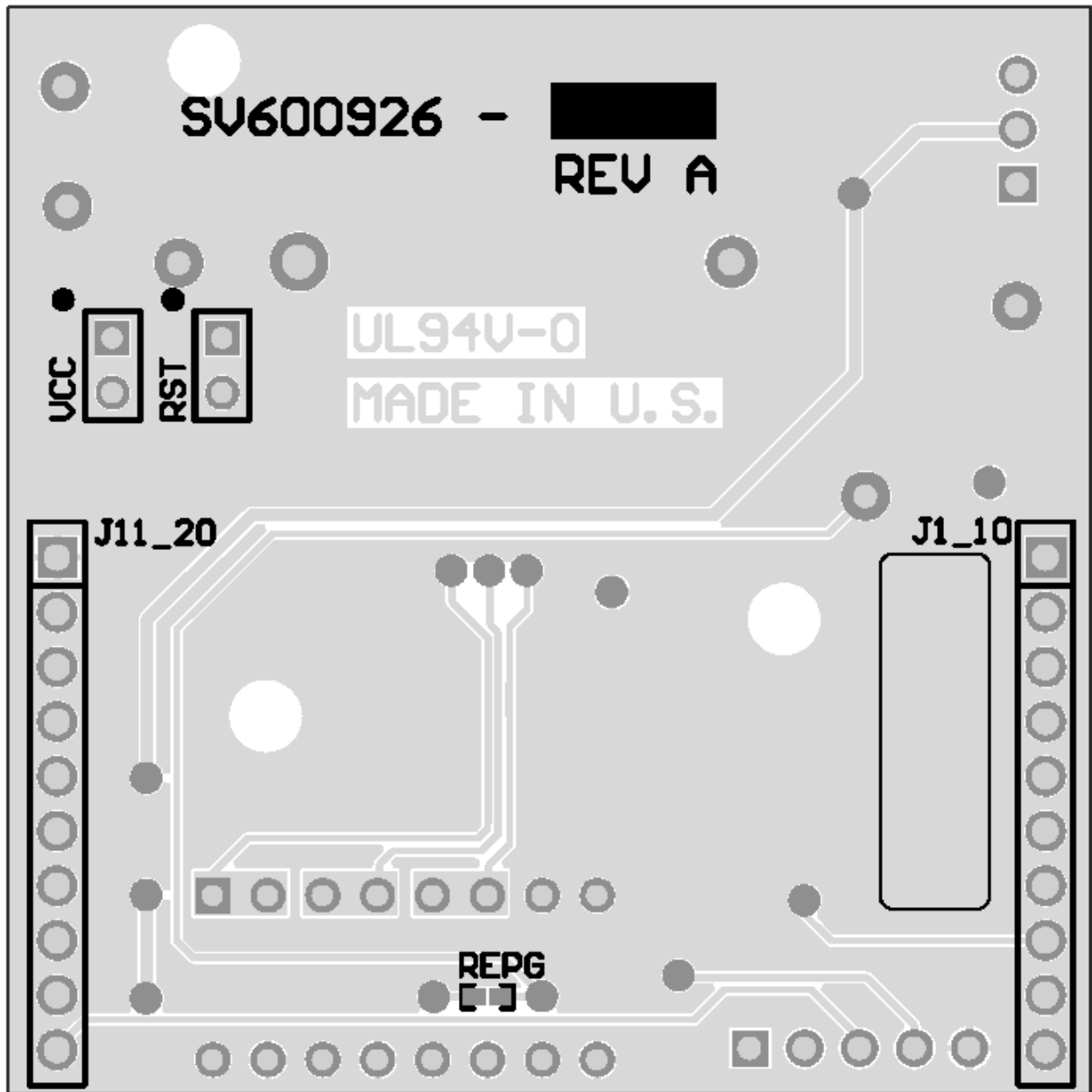


Figure 3. Layout  
Bottom Layer  
Silkscreen

## IMPORTANT NOTICE

Texas Instruments Incorporated and its subsidiaries (TI) reserve the right to make corrections, enhancements, improvements and other changes to its semiconductor products and services per JESD46, latest issue, and to discontinue any product or service per JESD48, latest issue. Buyers should obtain the latest relevant information before placing orders and should verify that such information is current and complete. All semiconductor products (also referred to herein as "components") are sold subject to TI's terms and conditions of sale supplied at the time of order acknowledgment.

TI warrants performance of its components to the specifications applicable at the time of sale, in accordance with the warranty in TI's terms and conditions of sale of semiconductor products. Testing and other quality control techniques are used to the extent TI deems necessary to support this warranty. Except where mandated by applicable law, testing of all parameters of each component is not necessarily performed.

TI assumes no liability for applications assistance or the design of Buyers' products. Buyers are responsible for their products and applications using TI components. To minimize the risks associated with Buyers' products and applications, Buyers should provide adequate design and operating safeguards.

TI does not warrant or represent that any license, either express or implied, is granted under any patent right, copyright, mask work right, or other intellectual property right relating to any combination, machine, or process in which TI components or services are used. Information published by TI regarding third-party products or services does not constitute a license to use such products or services or a warranty or endorsement thereof. Use of such information may require a license from a third party under the patents or other intellectual property of the third party, or a license from TI under the patents or other intellectual property of TI.

Reproduction of significant portions of TI information in TI data books or data sheets is permissible only if reproduction is without alteration and is accompanied by all associated warranties, conditions, limitations, and notices. TI is not responsible or liable for such altered documentation. Information of third parties may be subject to additional restrictions.

Resale of TI components or services with statements different from or beyond the parameters stated by TI for that component or service voids all express and any implied warranties for the associated TI component or service and is an unfair and deceptive business practice. TI is not responsible or liable for any such statements.

Buyer acknowledges and agrees that it is solely responsible for compliance with all legal, regulatory and safety-related requirements concerning its products, and any use of TI components in its applications, notwithstanding any applications-related information or support that may be provided by TI. Buyer represents and agrees that it has all the necessary expertise to create and implement safeguards which anticipate dangerous consequences of failures, monitor failures and their consequences, lessen the likelihood of failures that might cause harm and take appropriate remedial actions. Buyer will fully indemnify TI and its representatives against any damages arising out of the use of any TI components in safety-critical applications.

In some cases, TI components may be promoted specifically to facilitate safety-related applications. With such components, TI's goal is to help enable customers to design and create their own end-product solutions that meet applicable functional safety standards and requirements. Nonetheless, such components are subject to these terms.

No TI components are authorized for use in FDA Class III (or similar life-critical medical equipment) unless authorized officers of the parties have executed a special agreement specifically governing such use.

Only those TI components which TI has specifically designated as military grade or "enhanced plastic" are designed and intended for use in military/aerospace applications or environments. Buyer acknowledges and agrees that any military or aerospace use of TI components which have **not** been so designated is solely at the Buyer's risk, and that Buyer is solely responsible for compliance with all legal and regulatory requirements in connection with such use.

TI has specifically designated certain components as meeting ISO/TS16949 requirements, mainly for automotive use. In any case of use of non-designated products, TI will not be responsible for any failure to meet ISO/TS16949.

### Products

|                              |  |
|------------------------------|--|
| Audio                        | <a href="http://www.ti.com/audio">www.ti.com/audio</a>                               |
| Amplifiers                   | <a href="http://amplifier.ti.com">amplifier.ti.com</a>                               |
| Data Converters              | <a href="http://dataconverter.ti.com">dataconverter.ti.com</a>                       |
| DLP® Products                | <a href="http://www.dlp.com">www.dlp.com</a>   |
| DSP                          | <a href="http://dsp.ti.com">dsp.ti.com</a>   |
| Clocks and Timers            | <a href="http://www.ti.com/clocks">www.ti.com/clocks</a>                             |
| Interface                    | <a href="http://interface.ti.com">interface.ti.com</a>                               |
| Logic                        | <a href="http://logic.ti.com">logic.ti.com</a>                                       |
| Power Mgmt                   | <a href="http://power.ti.com">power.ti.com</a>                                       |
| Microcontrollers             | <a href="http://microcontroller.ti.com">microcontroller.ti.com</a>                   |
| RFID                         | <a href="http://www.ti-rfid.com">www.ti-rfid.com</a>                                 |
| OMAP Applications Processors | <a href="http://www.ti.com/omap">www.ti.com/omap</a>                                 |
| Wireless Connectivity        | <a href="http://www.ti.com/wirelessconnectivity">www.ti.com/wirelessconnectivity</a> |

### Applications

|                               |  |
|-------------------------------|--|
| Automotive and Transportation | <a href="http://www.ti.com/automotive">www.ti.com/automotive</a>                         |
| Communications and Telecom    | <a href="http://www.ti.com/communications">www.ti.com/communications</a>                 |
| Computers and Peripherals     | <a href="http://www.ti.com/computers">www.ti.com/computers</a>                           |
| Consumer Electronics          | <a href="http://www.ti.com/consumer-apps">www.ti.com/consumer-apps</a>                   |
| Energy and Lighting           | <a href="http://www.ti.com/energy">www.ti.com/energy</a>                                 |
| Industrial                    | <a href="http://www.ti.com/industrial">www.ti.com/industrial</a>                         |
| Medical                       | <a href="http://www.ti.com/medical">www.ti.com/medical</a>                               |
| Security                      | <a href="http://www.ti.com/security">www.ti.com/security</a>                             |
| Space, Avionics and Defense   | <a href="http://www.ti.com/space-avionics-defense">www.ti.com/space-avionics-defense</a> |
| Video and Imaging             | <a href="http://www.ti.com/video">www.ti.com/video</a>                                   |

### TI E2E Community

[e2e.ti.com](http://e2e.ti.com)