

## **QFN-Packaged bq24270/271 Evaluation Modules**

The bq24270/271 evaluation module is a complete charger module for evaluating compact, flexible, and high-efficiency charge-management solutions for single-cell, Li-ion, and Li-polymer batteries used in a wide range of portable applications. These charge-management solutions are also switch-mode and USB-friendly.

### Contents

1	Introduction .....	2
	1.1 bq2427x IC Features .....	2
	1.2 bq24270/271EVM Features .....	2
	1.3 Schematic .....	3
	1.4 I/O Description .....	4
	1.5 Test Points .....	4
	1.6 Control and Key Parameters Setting .....	5
	1.7 Recommended Operating Conditions .....	5
2	Test Summary .....	6
	2.1 Definitions .....	6
	2.2 Recommended Test Equipment .....	6
	2.3 Recommended Test Equipment Setup .....	7
	2.4 Recommended Test Procedure .....	10
3	Printed-Circuit Board Layout Guideline .....	11
4	Bill of Materials and Board Layout .....	13
	4.1 Bill of Materials .....	13
	4.2 Board Layout .....	15

### List of Figures

1	HPA758A Schematic .....	3
2	BAT_Load (PR1010) Schematic .....	7
3	Connections of HPA172 Kit.....	8
4	Original Test Setup for bq24270/271EVM (HPA758) .....	9
5	Main Window of bq2427x EVM Evaluation Software .....	10
6	Top Assembly Layer .....	15
7	Top Layer .....	16
8	First Internal Layer .....	17
9	Second Internal Layer .....	18
10	Bottom Layer.....	19

### List of Tables

1	Bill of Materials - HPA758 .....	13
---	----------------------------------	----

## 1 Introduction

### 1.1 bq2427x IC Features

The bq24270/271 integrates a synchronous PWM controller, power MOSFETs, input-current sensing, high-accuracy current and voltage regulation, charge termination, and power path management into a QFN package. The charge parameters can be programmed through an I<sup>2</sup>C interface. Key integrated circuit (IC) features include:

- High-efficiency, fully integrated, NMOS-NMOS, synchronous buck charger with 1.5-MHz frequency
- Integrated power FETs for up to 1.5-A charge rate
- Power path management between battery and system voltages

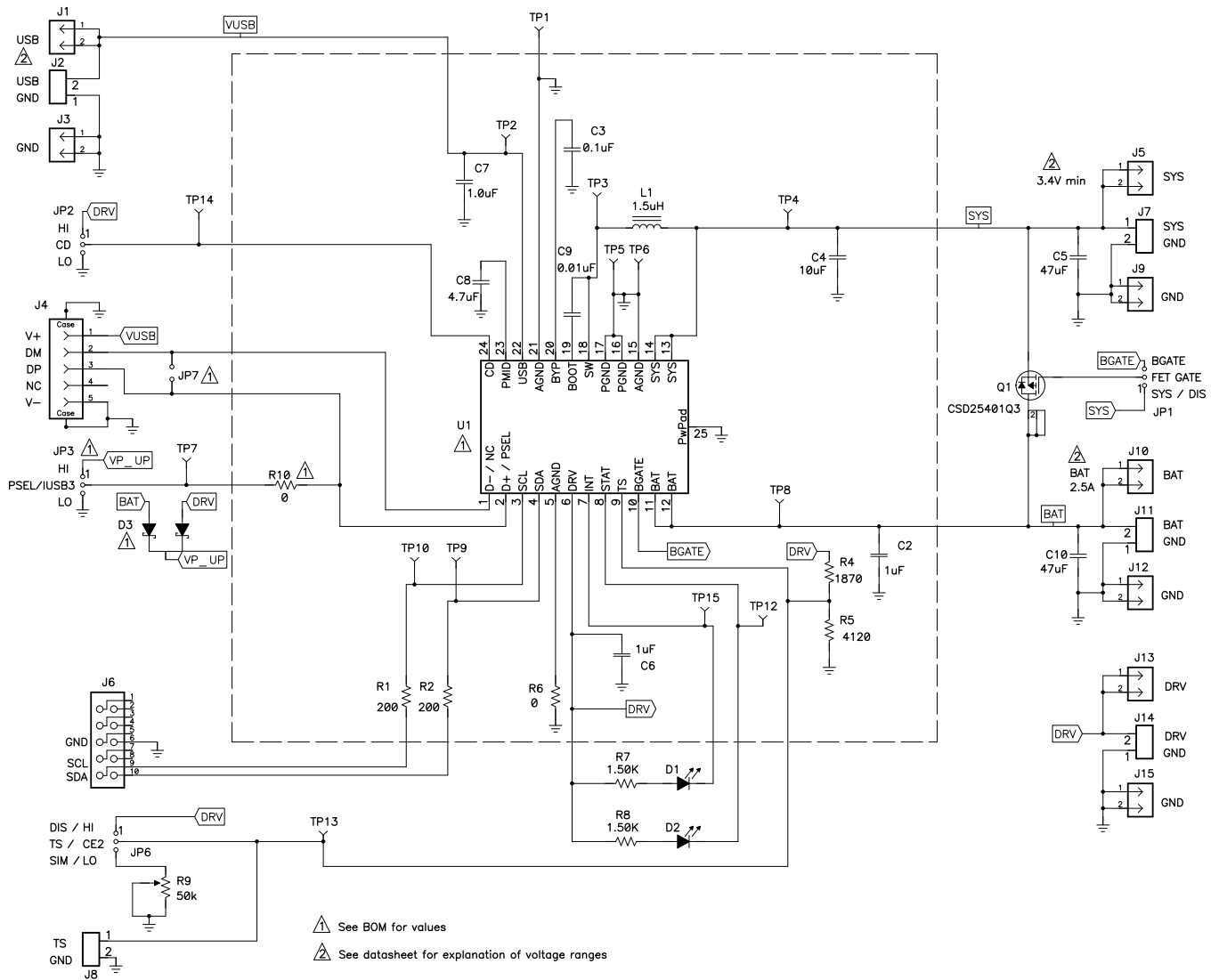
For details, see the bq24270/271 data sheet ([SLUSB10](#)).

### 1.2 bq24270/271EVM Features

The bq24270/271EVM evaluation module (EVM) is a complete charger module for evaluating compact, flexible, high-efficiency, USB-friendly, switch-mode battery charge. The module also evaluates power path management solutions for single-cell, Li-ion and Li-polymer battery-powered systems used in a wide range of portable applications. Key EVM features include:

- Input power connector for USB input
- Programmable battery voltage, charge current, input current, and status via I<sup>2</sup>C™ interface
- USB operating range of 4.2 V – 6 V
- LED indication for status signals
- Test points for key signals available for testing purposes. Easy probe hook-up

### 1.3 Schematic



**Figure 1. HPA758A Schematic**

## 1.4 I/O Description

Header/Terminal Block	Description
J1-USB	USB positive header
J2-USB	USB positive terminal
J2-GND	USB negative terminal
J3-GND	USB negative header
J4	USB miniconnector
J5-SYS	System output positive header
J6	USB-TO-GPIO box connector
J7-SYS	System output positive terminal
J7-GND	System output negative terminal
J8-TS	External thermistor positive terminal
J8-GND	Ground terminal for external thermistor
J9-GND	System output negative header
J10-BAT	Battery positive header
J11-BAT	Battery positive terminal
J11-GND	Battery negative terminal
J12-GND	Battery negative header
J13-DRV	DRV reference voltage positive header
J14-DRV	DRV reference voltage positive terminal
J14-GND	DRV reference voltage negative terminal
J15-GND	DRV reference voltage negative header

## 1.5 Test Points

Test Point	Description
TP1	AGND
TP2	Kelvin to USB
TP3	SW
TP4	Kelvin to SYS
TP5	PGND
TP6	AGND
TP7	PSEL
TP8	Kelvin to BAT
TP9	SDA
TP10	SCL
TP11	AGND
TP12	STAT
TP13	TS
TP14	CD
TP15	INT

## 1.6 Control and Key Parameters Setting

Jumper	Description	Default Factory Setting
JP1	1-2 (FET GATE = SYS): External PFET's gate tied to SYS and therefore disabled. 2-3 (FET GATE = BGATE): External PFET's gate tied to BGATE pin and therefore controlled by IC.	2-3 (FET GATE = BGATE)
JP2	1-2 (CD = HI): Charge disable high to disable charge and enter Hi-Z mode 2-3 (CD = LO): Charge disable low for normal operation	2-3 (CD = LO)
JP3	bq24271 only 1-2 (PSEL = HI): Indicates that a USB source is connected to the USB input and sets the input current limit to 500 mA. 2-3 (PSEL = LO): Indicates that an ac adapter is connected to the USB input and sets the USB input current limit to 1.5 A.	1-2 (PSEL = HI)
JP6	1-2 (TS = DIS): Connects TS high to DRV and disables the temperature sense functioning the IC 2 (JP6 Open): Connects the TS pin to an external thermistor. The resistor divider formed by R1 and R3 has been sized to accommodate a 10-kΩ thermistor. If a different thermistor is used, R1 and R3 must be resized. 2-3 (TS = SIM): Connects a potentiometer to the TS so that the potentiometer can emulate a thermistor. The potentiometer has been preset to approximately 3.4 kΩ so that the TS voltage is 0.5 x V (DRV).	2-3 (TS = SIM)
JP7	bq24270 only Shorting jumper for USB data lines DM (D-) and DP (D+). When shorted, USB input current limit defaults to 1.5 A. Otherwise, USB100 mode is selected.	Shorted

## 1.7 Recommended Operating Conditions

		Min	Typ	Max	Unit
USB voltage, $V_{USB}$	Input voltage from USB or equivalent supply	4.2		6	V
Battery voltage, $V_{BAT}$	Voltage applied at VBAT terminal of J8	0	3-4.2	4.44	V
Supply current, $I_{USB(MAX)}$	Maximum input current from USB or equivalent supply	0.1		1.5	A
Maximum fast charge current, $I_{chg}$	Battery charge current	0.550		1.5	A
Operating junction temperature range, $T_J$		0		125	°C

## 2 Test Summary

This procedure describes one test configuration of the HPA758 evaluation board for bench evaluation.

### 2.1 Definitions

This procedure details how to configure the HPA758 evaluation board. The following naming conventions are followed. See the bq24270/271 QFN EVM schematic for details.

VXXX :	External voltage supply name (VADP, VAT, VSAT)
LOADW:	External load name (LOADR, LOADI)
V(TPyyy):	Voltage at internal test point TPyyy. For example, V(TP12) means the voltage at TP12.
V(Jxx):	Voltage at header Jxx
V(TP(XXX)):	Voltage at test point XXX. For example, V(ACDET) means the voltage at the test point which is marked as ACDET.
V(XXX, YYY):	Voltage across point XXX and YYY
I(JXX(YYY)):	Current going out from the YYY terminal of header XX
Jxx(BBB):	Terminal or pin BBB of header xx
JPx ON :	Internal jumper Jxx terminals are shorted.
JPx OFF:	Internal jumper Jxx terminals are open.
JPx (-YY-)	ON: Internal jumper Jxx adjacent terminals marked as YY are shorted
Measure: → A,B	Check specified parameters A, B. If measured values are not within specified limits, the unit under test has failed.
Observe → A,B	Observe if A, B occur. If they do not occur, the unit under test has failed.

Assembly drawings have location for jumpers, test points, and individual components.

### 2.2 Recommended Test Equipment

#### 2.2.1 Power Supplies

Power Supply #1 (PS#1) capable of supplying 6 V at 3 A is required.

If not using a battery as the load, then power supply #2 (PS#2) is can be used. 4 A is required to power the circuit shown in [Figure 2](#).

#### 2.2.2 Load #1 Between BAT and GND

Testing with an actual battery as the load is the best way to verify operation in the system. If a battery is not available, then a circuit similar to the one shown in [Figure 2](#) can simulate a battery when connected to a power supply.

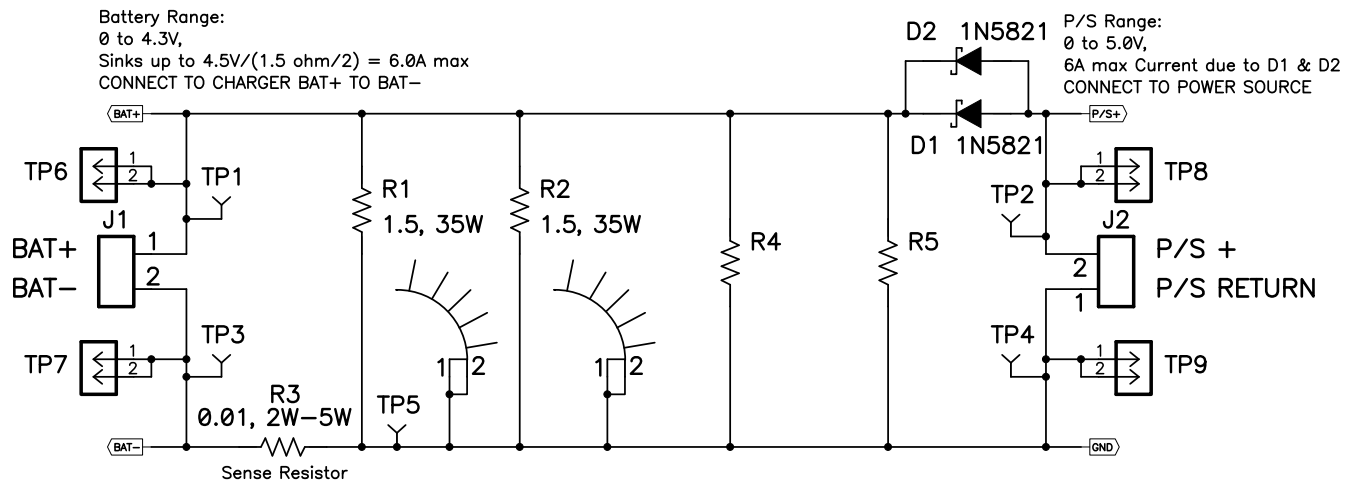


Figure 2. BAT\_Load (PR1010) Schematic

### 2.2.3 Load #2 Between SYS and GND

Although not required, a resistive load in the form of a decade box or electronic load capable of sinking up to 3 A can be used.

### 2.2.4 Meters

There are four equivalent voltage meters (VM#) and two equivalent current meters (CM#). The current meters must be configured to measure 4-A current.

### 2.2.5 Computer

A computer with at least one USB port and a USB cable is required. The bq2427x evaluation software must be properly installed.

### 2.2.6 HPA172 Communication Kit (USB to GPIO)

A HPA172 USB-to-I<sup>2</sup>C communication kit.

### 2.2.7 Software

Download the BQ2427xSW.zip file from the charger's product folder, unzip the file, and double-click on the SETUP.EXE file. Follow the installation steps.

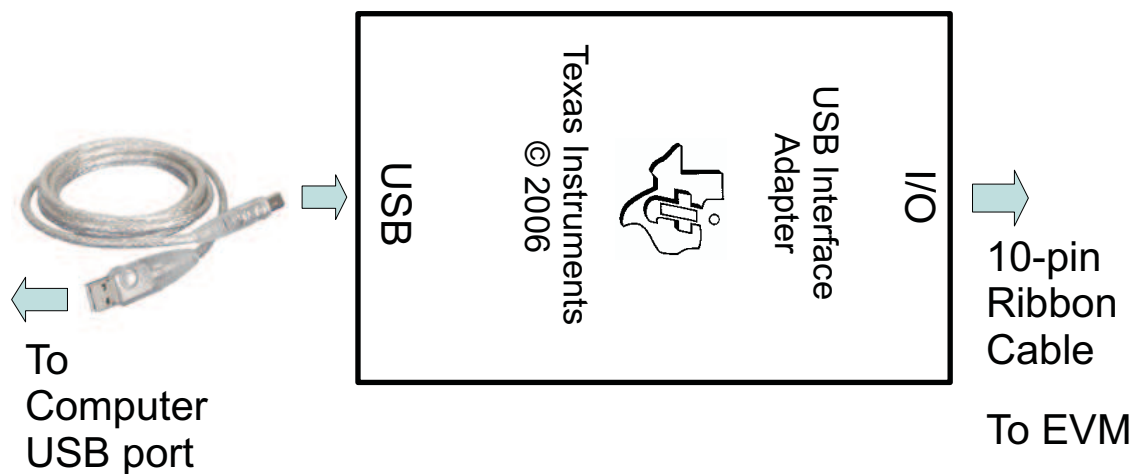
Because the watchdog timer is enabled, it is recommended that you set the software's **Reset Watchdog Timer** to reset every 5 seconds. Otherwise, after 30 seconds of operation, the integrated circuit (IC) enters Default mode. Note that the 27-minute safety timer is not reset by this function and eventually times out if charging does not complete, unless the **Safety Timer Time Limit** is expanded or disabled via the GUI. One way to reset the safety timer is to allow the 30-second watchdog timer to expire. See Figure 3 in the data sheet for more information about the timers.

Also, it is generally helpful to set the **AutoRead** and **Write On Change** functions, in the upper left of the GUI window, to ON. The AutoRead function periodically updates the GUI with the IC status. The Write On Change function writes any changes to the GUI check boxes, drop-down boxes, and registers to the IC. Otherwise, the user is responsible for periodically pressing the **READ** button to find the IC instantaneous status and **WRITE** button to write changes to the IC.

## 2.3 Recommended Test Equipment Setup

1. For all power connections, use short, twisted-pair wires of appropriate gauge wire for the maximum current amount.

2. Set Power Supply #1 (PS#1) for 6-V  $\pm$  100 mVdc, 3-A  $\pm$  100-mA current limit, and then turn off supply.
3. If BAT\_Load is the circuit shown in [Figure 2](#), connect Power Supply #2 (PS#2) set to approximately 3.1 V to the input side of BAT\_Load, and then turn off PS#2.
4. Connect the output side (or battery terminals) of BAT\_Load in series with current meter (multimeter) #2 (CM#2) to J10 and J12 or J11 (BAT, GND). Ensure that a voltage meter is connected across J10 or TP8 and J12 or TP5 (BAT, GND).
5. Connect the electronic load or resistor decade box in series with a current meter (multimeter) to J5 and J9 or J7(SYS, GND). Ensure the electronic load is in current mode and set to 0 A or the resistor decade box is set to the maximum resistance.
6. Connect VM#3 across J5 or TP4 and J9 (SYS, GND).
7. Connect VM#4 across J13 and J15 (DRV, GND).
8. Connect J6 to HPA172 kit by the 10-pin ribbon cable . Connect the USB port of the HPA172 kit to the USB port of the computer. The connections are shown in [Figure 3](#).



**Figure 3. Connections of HPA172 Kit**

9. Ensure jumpers are at the default factory settings per [Section 1.6](#)
10. After the preceding steps have been performed, the test setup for HPA758 is configured as shown in [Figure 4](#)



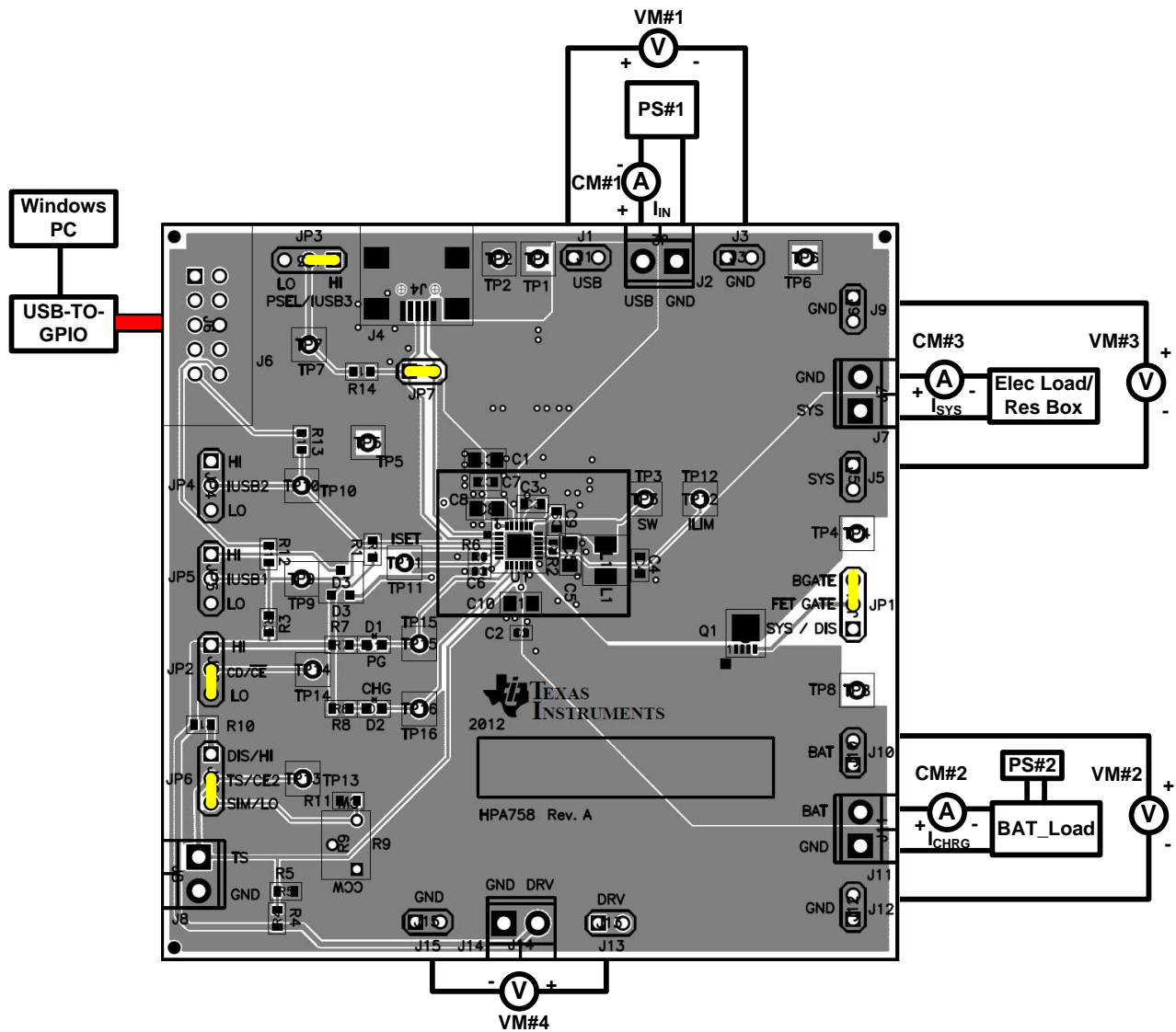


Figure 4. Original Test Setup for bq24270/271EVM (HPA758)

11. Turn on the computer.

- Open the bq2427x evaluation software and click "USB DEVICE" when prompted at start-up. The main window of the software is shown in [Figure 5](#).

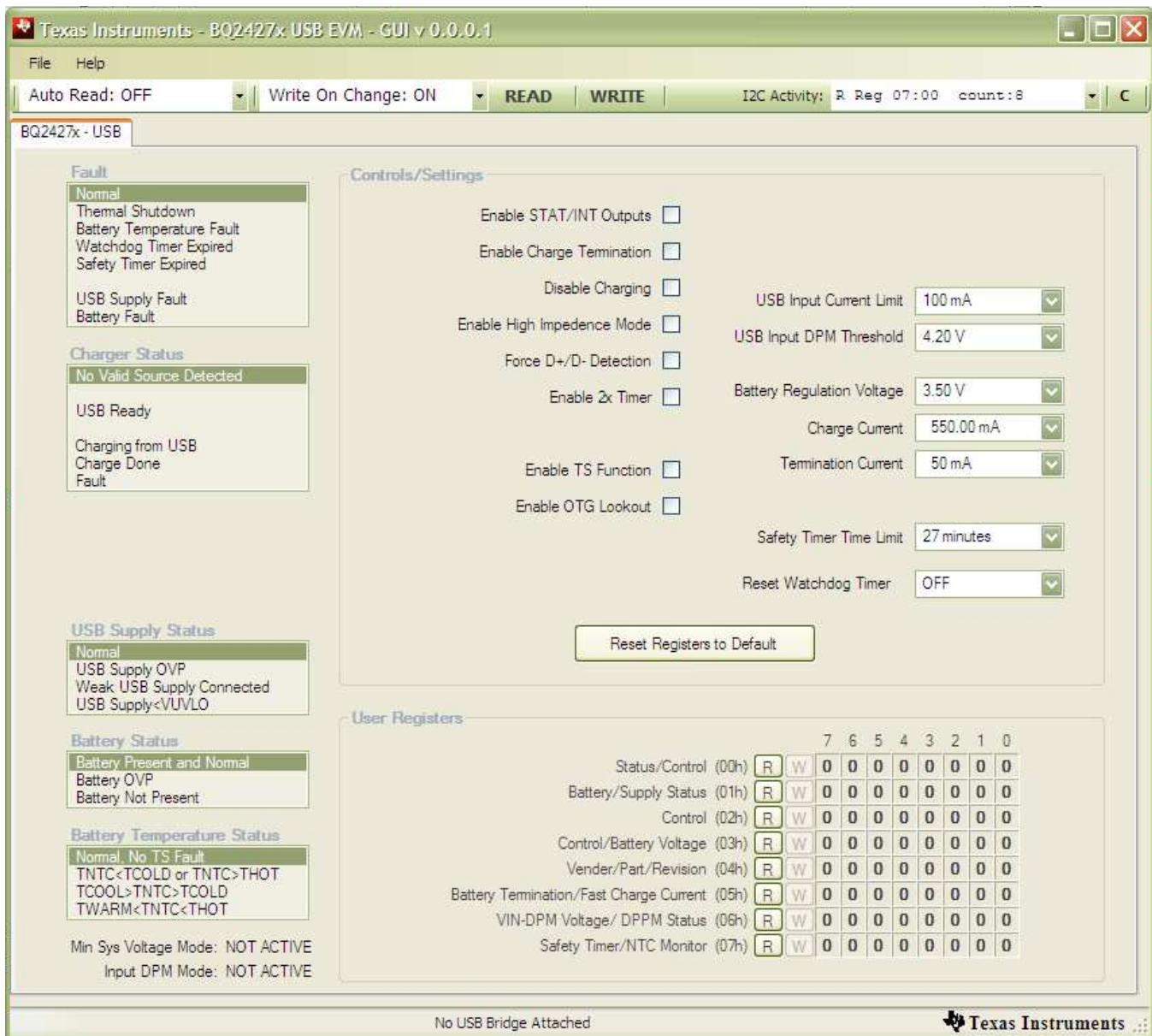


Figure 5. Main Window of bq2427x EVM Evaluation Software

## 2.4 Recommended Test Procedure

The following test procedure is useful in evaluating the charger IC outside of a real system, especially when no battery is available to connect to the output (i.e., Load #1).

### 2.4.1 System Voltage and Default Charge Settings

1. Ensure that the [Section 2.3](#) steps are followed.
2. Connect the output of PS #1 in series with CM #1 to J2 (USB, GND).
3. Connect voltage meter 1 (VM #1) across J1 or TP2 and J3 (USB, GND).
4. With PS #2 disabled, turn on PS #1.
5. Ensure the electronic load is on current mode and set the current to 1 A or turn down the resistor decade box until CM #3 measures 1000 ±100 mA.

6. Measure:
  - Measure on VM#3* →  $V(J5(SYS), J9(GND)) = 3.7V \pm 150 \text{ mV}$ .
  - Observe* → D1 and D2 are on.
7. Move JP2 (CD) = HI.
8. *Measure on VM#3* →  $V(J5(SYS), J9(GND)) = 0 \text{ V}$ .
9. Disable PS #1 and disconnect electronic load or resistor box and CM #3 from the HPA758 board.

#### 2.4.2 Charge Voltage and Current Regulation of USB

1. Be sure to follow [Section 2.3](#) steps .
2. Connect the USB port of the HPA172 kit to the USB port of the computer.
3. Connect the output of Power Supply #1 (PS #1) in series with current meter (multimeter) #1 (CM #1) to J1 and J3 or J2 (USB, GND).
4. Connect a voltage meter 1 (VM #1) across J1 or TP2 and J3 (USB, GND).
5. Move JP2 (CD) to HI.
6. Turn on PS #1 and PS #2.
7. Return JP2 (CD) to LO.
8. Software setup:
  - Press the **READ** button to obtain the current settings.
  - Set **Write On Change** to ON if not already set.
  - Set **Reset Watchdog Timer** to update every 5 seconds.
  - Uncheck **Disable Charging** if checked.
  - Check **Enable STAT/INT Outputs**.
  - Set **Battery Regulation Voltage** to 4.20 V.
  - Set **USB Input Current Limit** to 1500 mA.
  - Set **Charge Current** to 1000 mA.
  - Click the **READ** button at the top of the window, and confirm that the previous settings remain.
9. Adjust PS #2 so that the voltage measured by VM #2, across BAT and GND, measures  $3.2 \text{ V} \pm 50 \text{ mV}$ .
10. Adjust the power supply so that VM #1 still reads  $6 \text{ V} \pm 100 \text{ mV}$  if necessary then
  - Measure on CM#2* →  $I_{\text{CHRG}} = 1000 \text{ mA} \pm 100 \text{ mA}$
  - Measure on CM#1* →  $I_{\text{IN}} < 850 \text{ mA}$
  - Observe* → D1 and D2 are on.
11. Turn off PS #1 and PS #2.

#### 2.4.3 Helpful hints

1. Observe the taper current as the battery voltage approaches the set regulation voltage, allow the battery to charge or, if using BAT\_Load (PR1010), slowly increase the PS #2 voltage powering BAT\_Load (PR1010). Use VM #2 across BAT and GND to measure the battery voltage seen by the IC.
2. Observe the  $V_{\text{INDPM}}$  function, lower the current limit on PS #1.
3. Observe battery supplement mode, apply a resistive load across SYS and GND that is higher than the maximum charge current.

### 3 Printed-Circuit Board Layout Guideline

1. To obtain optimal performance, the power input capacitors, connected from the PMID input to PGND, must be placed as close as possible to the bq2427x.
2. Place a 4.7- $\mu\text{F}$  input capacitor as close to PMID pin and PGND pin as possible to make the high-frequency, current-loop area as small as possible. Place 1- $\mu\text{F}$  input capacitor GNDs as close to the respective PMID capacitor GND and PGND pins as possible to minimize the ground difference between the input and PMID.

3. The local bypass capacitor from SYS to GND must be connected between the SYS pin and PGND of the IC. The intent is to minimize the current path loop area from the SW pin through the LC filter and back to the PGND pin.
4. Place all decoupling capacitors close to their respective IC pins and as close as possible to PGND (do not place components in such a way that routing interrupts power stage currents). All small control signals must be routed away from the high-current paths.
5. The printed-circuit board must have a ground plane (return) connected directly to the return of all components through vias (two vias per capacitor for power-stage capacitors, one via per capacitor for small-signal components). It is also recommended to put vias inside the PGND pads for the IC, if possible. A star ground design approach is typically used to keep circuit block currents isolated (high-power/low-power small-signal) which reduces noise-coupling and ground-bounce issues. A single ground plane for this design gives good results. This small layout and a single ground plane eliminates ground-bounce issues, and having the components segregated minimizes coupling between signals.
6. The high-current charge paths into USB, BAT, SYS, and from the SW pins must be sized appropriately for the maximum charge current in order to avoid voltage drops in these traces. The PGND pins must be connected to the ground plane to return current through the internal low-side FET.
7. For high-current applications, the balls for the power paths must be connected to as much copper in the board as possible. This allows better thermal performance because the board conducts heat away from the IC.

## 4 Bill of Materials and Board Layout

### 4.1 Bill of Materials

Table 1. Bill of Materials - HPA758

COUNT		RefDes	Value	Description	Size	Part Number	MFR
-001	-002						
0	0	C1	Open	Capacitor, Ceramic, 25V, X5R, 10%	'0805	Std	Std
2	2	C2,C6	1uF	Capacitor, Ceramic, 6.3V, X5R, 20%	'0402	Std	Std
1	1	C3	0.1uF	Capacitor, Ceramic, 25V, X7R, 10%	'0603	Std	Std
1	1	C4	10uF	Capacitor, Ceramic, 6.3V, X5R, 20%	'0603	Std	Std
2	2	C5, C10	47uF	Capacitor, Ceramic, 6.3V, X5R, 20%	'0805	Std	Std
1	1	C7	1µF	Capacitor, Ceramic, 25V, X5R, 10%	'0603	Std	Std
1	1	C8	4.7uF	Capacitor, Ceramic, 25V, X5R, 10%	'0805	Std	Std
1	1	C9	0.01uF	Capacitor, Ceramic, 10V, X5R, 10%	'0603	Std	Std
2	2	D1, D2	Green	Diode, LED, Green, 2.1-V, 20-mA, 6-mcd	'0603	LTST-C190GKT	Liteon
0	1	BAT54C	Open	Diode, Dual Schottky, 200-mA, 30-V	SOT23	BAT54C	Fairchild
8	8	J1, J3, J5, J9, J10, J12, J13, J15	PEC02SAAN	Header, Male 2-pin, 100mil spacing	0.100 inch x 2	PEC02SAAN	Sullins
5	5	J2, J7, J8, J11, J14	ED555/2DS	Terminal Block, 2-pin, 6-A, 3.5mm	0.27 x 0.25	ED555/2DS	OST
1	1	J4	UX60-MB-5ST	Connector, Recpt, USB-B, Mini, 5-pins, SMT	0.354 X 0.303 Inches	UX60-MB-5ST	Hiroise
1	1	J6	N2510-6002-RB	Connector, Male Straight 2x5 pin, 100mil spacing, 4 Wall	0.338 x 0.788 inch	N2510-6002-RB	3M
3	3	JP1, JP2, JP6	PEC03SAAN	Header, Male 3-pin, 100mil spacing,	0.100 inch x 3	PEC03SAAN	Sullins
0	1	JP3	PEC03SAAN	Header, Male 3-pin, 100mil spacing,	0.100 inch x 3		Sullins
1	0	JP7	PEC03SAAN	Header, Male 2-pin, 100mil spacing,	0.100 inch x 2	PEC02SAAN	Sullins
1	1	L1	1.5µH	Inductor, SMT, 3.5A, 70 milliohm	4.1x4.4 mm	SPM4012T-1R5M Alternate: FDS0415-H-1R5M	TDK Alternate: Toko
1	1	Q1	CSD25401Q3	MOSFET, PChan, -20V, 60A, 8.7 milliohm	QFN3.3X3.3mm	CSD25401Q3	TI
2	2	R1,R2	200	Resistor, Chip, 1/16W, 1%	0603	Std	Std
0	0	R3	Open	Resistor, Chip, 1/16W, 1%	0603	Std	Std
1	1	R4	1870	Resistor, Chip, 1/16W, 1%	0603	Std	Std
1	1	R5	4120	Resistor, Chip, 1/16W, 1%	0603	Std	Std
1	1	R6	0	Resistor, Chip, 1/16W, 1%	0402	Std	Std
2	2	R7, R8	1.50K	Resistor, Chip, 1/16W, 1%	0603	Std	Std
1	1	R9	50K	Potentiometer, 3/8 Cermet, Single-Turn	0.25x0.17 inch	3266W-1-503LF	Bourns
0	1	R10	0	Resistor, Chip, 1/16W, 1%	0603	Std	Std
7	7	TP1, TP2, TP3, TP4, TP8, TP12, TP15	5000	Test Point, Red, Thru Hole Color Keyed	0.100 x 0.100 inch	5000	Keystone

**Table 1. Bill of Materials - HPA758 (continued)**

COUNT		RefDes	Value	Description	Size	Part Number	MFR
-001	-002						
2	2	TP5, TP6	5001	Test Point, Black, Thru Hole Color Keyed	0.100 x 0.100 inch	5001	Keystone
0	1	TP7	5000	Test Point, Red, Thru Hole Color Keyed	0.100 x 0.100 inch	5000	Keystone
5	4	TP9, TP10, TP13, TP14	5002	Test Point, White, Thru Hole Color Keyed	0.100 x 0.100 inch	5002	Keystone
1	0	U1	BQ24270RGE	IC, 1.5A, Single-Input, Single Cell Switchmode Li-Ion BATTERY CHARGER with Power Path Management and I2C Interface	QFN-24	BQ24271RGE	TI
0	1	U1	BQ24271RGE	IC, 1.5A, Single-Input, Single Cell Switchmode Li-Ion BATTERY CHARGER with Power Path Management and I2C Interface	QFN-24	BQ24271RGE	TI
4	4	---		Shunt, 100-mil, Black	0.100	929950-00	3M
1	1	---		PCB 3.00 in. x 3.00 in. x 0.062 in.		HPA758	Any

### 4.2 Board Layout

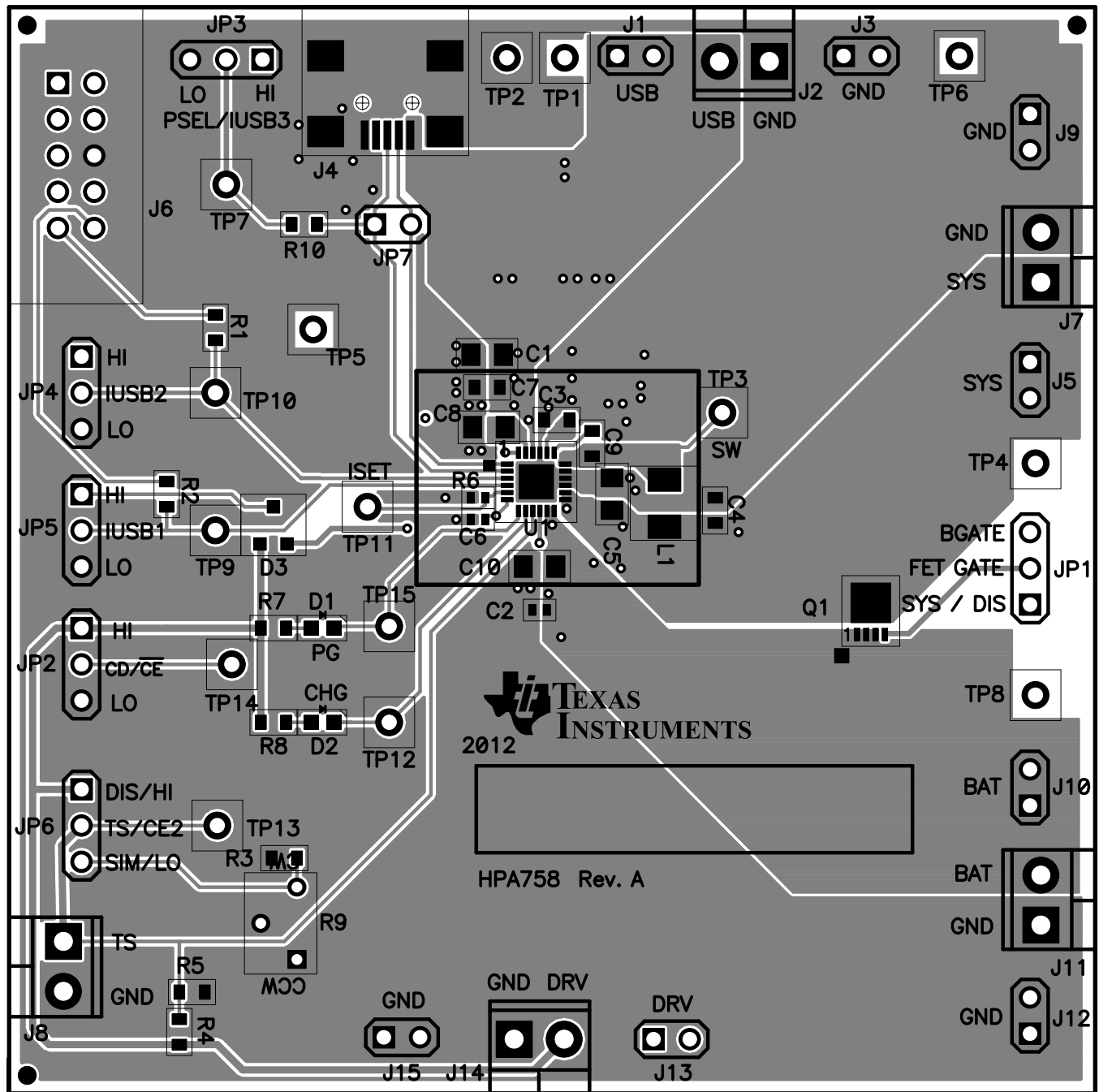


Figure 6. Top Assembly Layer

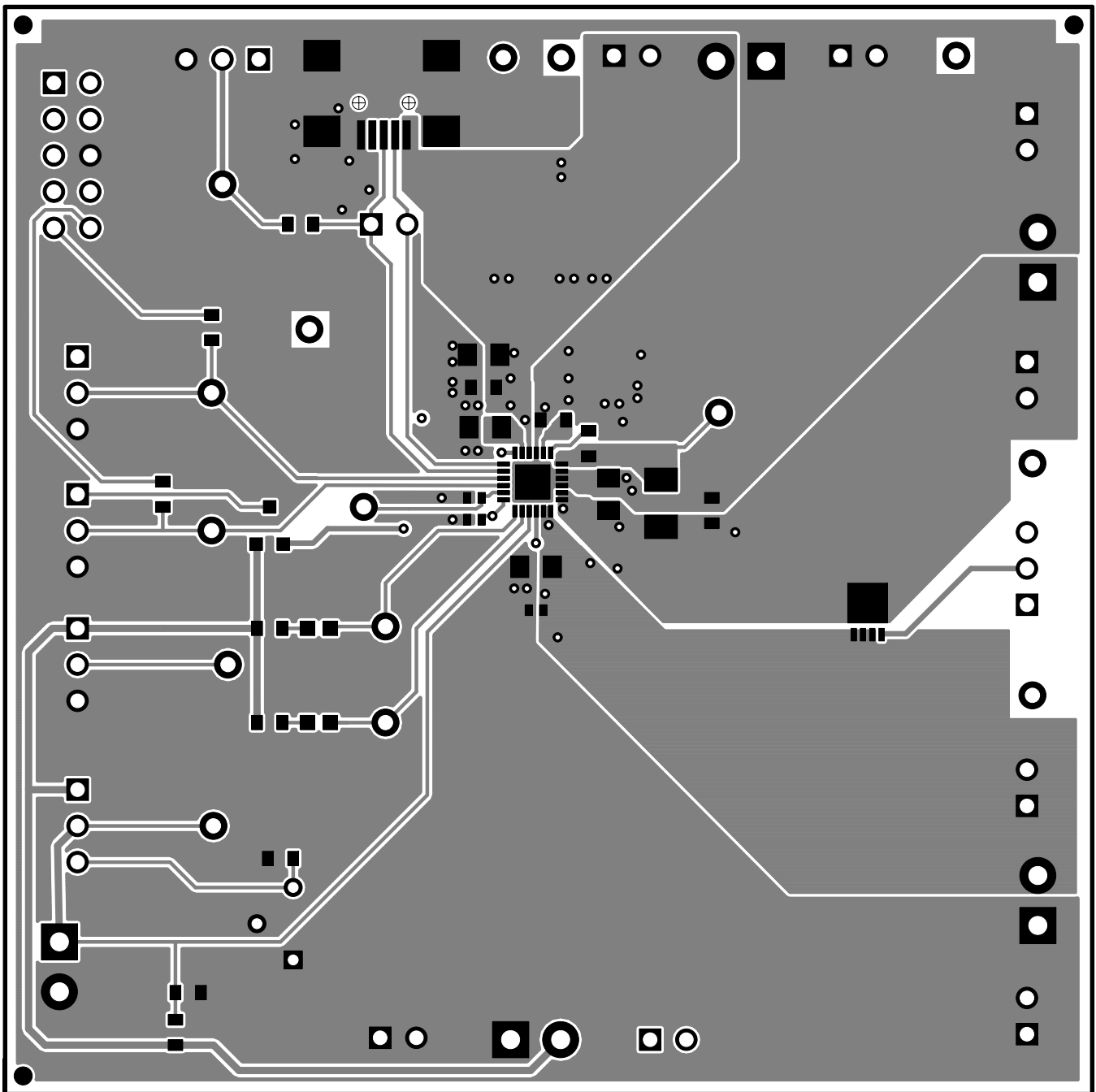


Figure 7. Top Layer



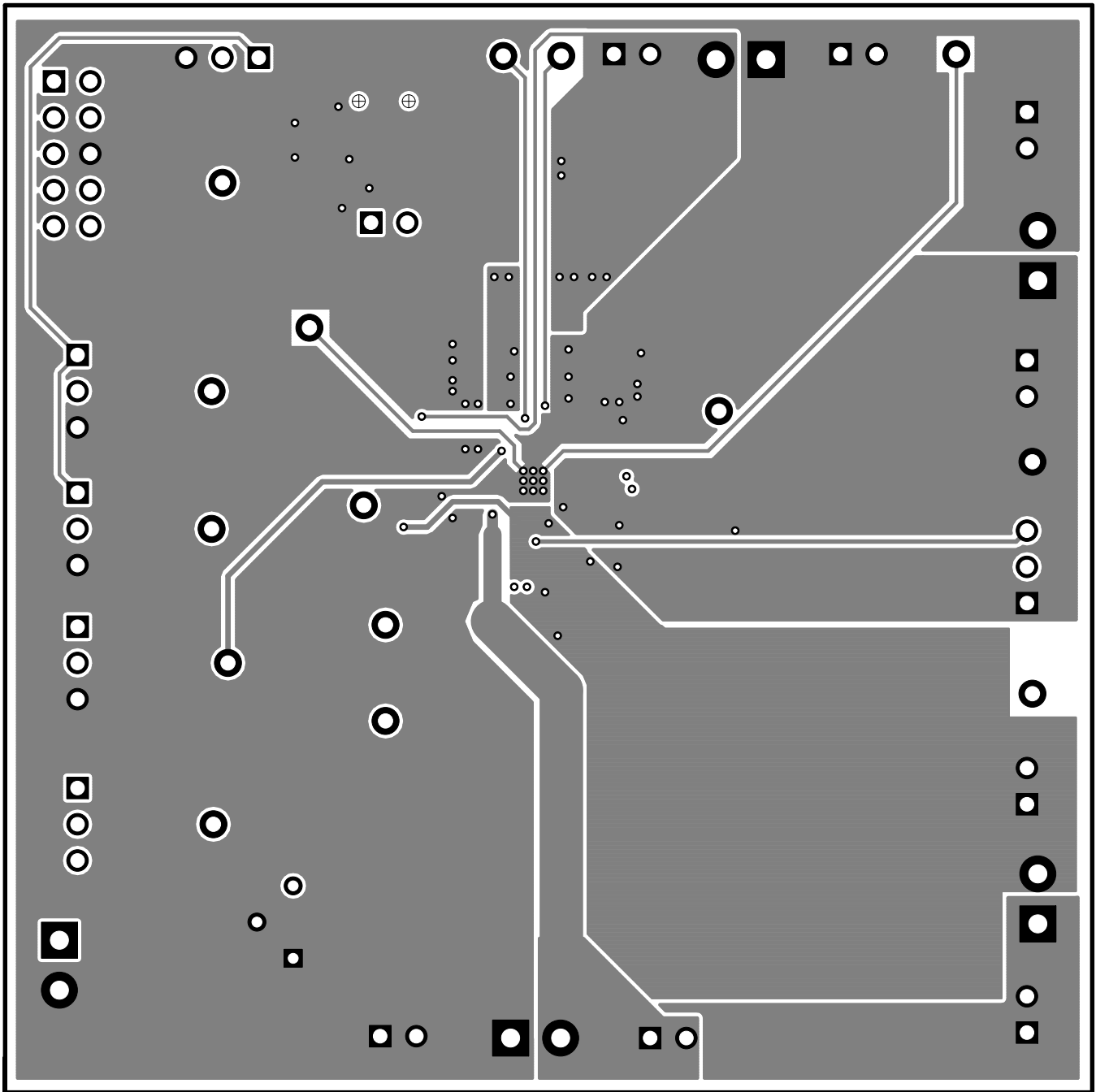


Figure 8. First Internal Layer

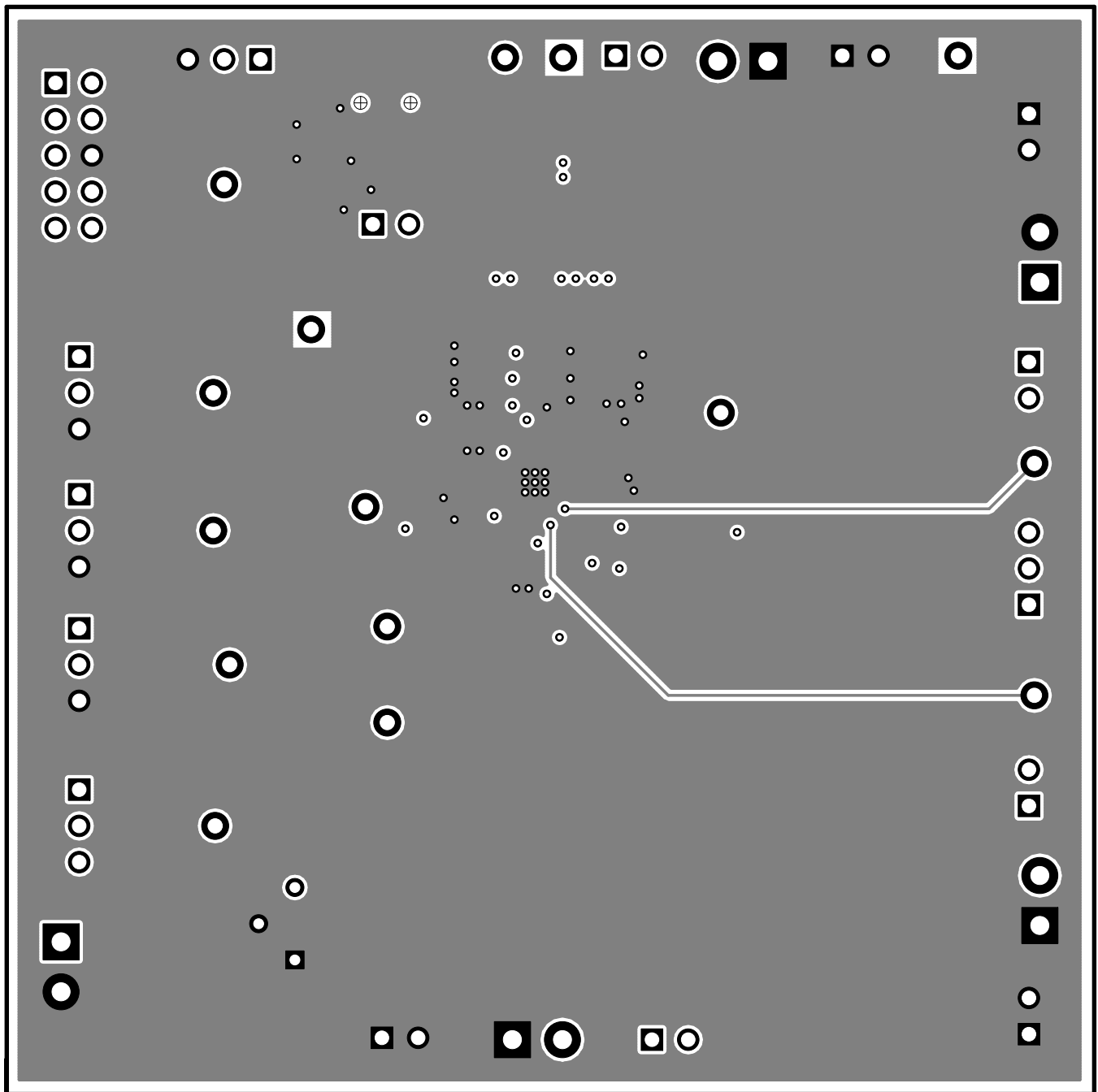


Figure 9. Second Internal Layer

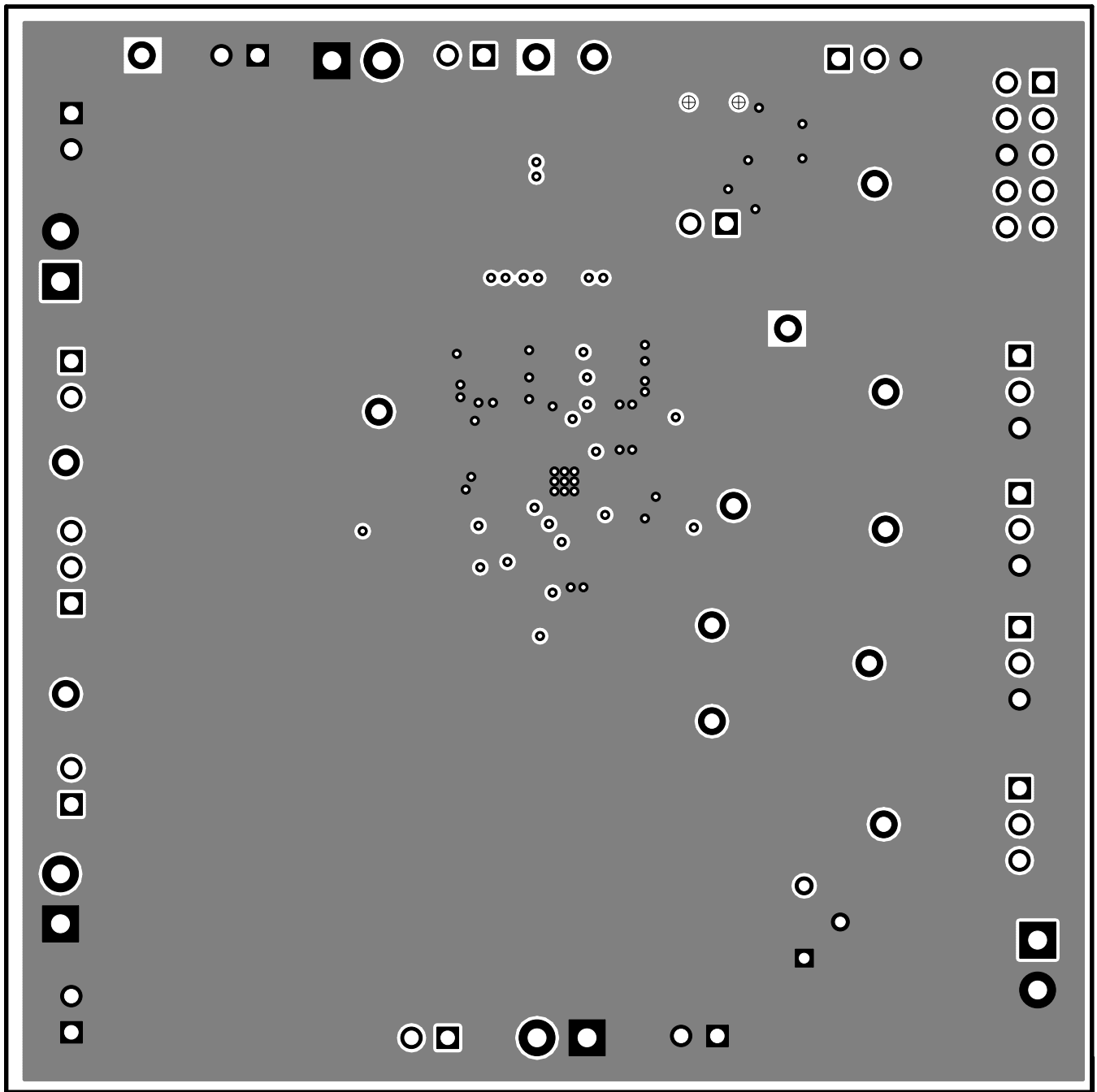


Figure 10. Bottom Layer

## EVALUATION BOARD/KIT/MODULE (EVM) ADDITIONAL TERMS

Texas Instruments (TI) provides the enclosed Evaluation Board/Kit/Module (EVM) under the following conditions:

The user assumes all responsibility and liability for proper and safe handling of the goods. Further, the user indemnifies TI from all claims arising from the handling or use of the goods.

Should this evaluation board/kit not meet the specifications indicated in the User's Guide, the board/kit may be returned within 30 days from the date of delivery for a full refund. THE FOREGOING LIMITED WARRANTY IS THE EXCLUSIVE WARRANTY MADE BY SELLER TO BUYER AND IS IN LIEU OF ALL OTHER WARRANTIES, EXPRESSED, IMPLIED, OR STATUTORY, INCLUDING ANY WARRANTY OF MERCHANTABILITY OR FITNESS FOR ANY PARTICULAR PURPOSE. EXCEPT TO THE EXTENT OF THE INDEMNITY SET FORTH ABOVE, NEITHER PARTY SHALL BE LIABLE TO THE OTHER FOR ANY INDIRECT, SPECIAL, INCIDENTAL, OR CONSEQUENTIAL DAMAGES.

Please read the User's Guide and, specifically, the Warnings and Restrictions notice in the User's Guide prior to handling the product. This notice contains important safety information about temperatures and voltages. For additional information on TI's environmental and/or safety programs, please visit [www.ti.com/esh](http://www.ti.com/esh) or contact TI.

No license is granted under any patent right or other intellectual property right of TI covering or relating to any machine, process, or combination in which such TI products or services might be or are used. TI currently deals with a variety of customers for products, and therefore our arrangement with the user is not exclusive. TI assumes no liability for applications assistance, customer product design, software performance, or infringement of patents or services described herein.

## REGULATORY COMPLIANCE INFORMATION

As noted in the EVM User's Guide and/or EVM itself, this EVM and/or accompanying hardware may or may not be subject to the Federal Communications Commission (FCC) and Industry Canada (IC) rules.

For EVMs **not** subject to the above rules, this evaluation board/kit/module is intended for use for ENGINEERING DEVELOPMENT, DEMONSTRATION OR EVALUATION PURPOSES ONLY and is not considered by TI to be a finished end product fit for general consumer use. It generates, uses, and can radiate radio frequency energy and has not been tested for compliance with the limits of computing devices pursuant to part 15 of FCC or ICES-003 rules, which are designed to provide reasonable protection against radio frequency interference. Operation of the equipment may cause interference with radio communications, in which case the user at his own expense will be required to take whatever measures may be required to correct this interference.

### General Statement for EVMs including a radio

*User Power/Frequency Use Obligations:* This radio is intended for development/professional use only in legally allocated frequency and power limits. Any use of radio frequencies and/or power availability of this EVM and its development application(s) must comply with local laws governing radio spectrum allocation and power limits for this evaluation module. It is the user's sole responsibility to only operate this radio in legally acceptable frequency space and within legally mandated power limitations. Any exceptions to this are strictly prohibited and unauthorized by Texas Instruments unless user has obtained appropriate experimental/development licenses from local regulatory authorities, which is responsibility of user including its acceptable authorization.

### For EVMs annotated as FCC – FEDERAL COMMUNICATIONS COMMISSION Part 15 Compliant

#### Caution

This device complies with part 15 of the FCC Rules. Operation is subject to the following two conditions: (1) This device may not cause harmful interference, and (2) this device must accept any interference received, including interference that may cause undesired operation.

Changes or modifications not expressly approved by the party responsible for compliance could void the user's authority to operate the equipment.

### FCC Interference Statement for Class A EVM devices

This equipment has been tested and found to comply with the limits for a Class A digital device, pursuant to part 15 of the FCC Rules. These limits are designed to provide reasonable protection against harmful interference when the equipment is operated in a commercial environment. This equipment generates, uses, and can radiate radio frequency energy and, if not installed and used in accordance with the instruction manual, may cause harmful interference to radio communications. Operation of this equipment in a residential area is likely to cause harmful interference in which case the user will be required to correct the interference at his own expense.

### **FCC Interference Statement for Class B EVM devices**

This equipment has been tested and found to comply with the limits for a Class B digital device, pursuant to part 15 of the FCC Rules. These limits are designed to provide reasonable protection against harmful interference in a residential installation. This equipment generates, uses and can radiate radio frequency energy and, if not installed and used in accordance with the instructions, may cause harmful interference to radio communications. However, there is no guarantee that interference will not occur in a particular installation. If this equipment does cause harmful interference to radio or television reception, which can be determined by turning the equipment off and on, the user is encouraged to try to correct the interference by one or more of the following measures:

- Reorient or relocate the receiving antenna.
- Increase the separation between the equipment and receiver.
- Connect the equipment into an outlet on a circuit different from that to which the receiver is connected.
- Consult the dealer or an experienced radio/TV technician for help.

### **For EVMs annotated as IC – INDUSTRY CANADA Compliant**

This Class A or B digital apparatus complies with Canadian ICES-003.

Changes or modifications not expressly approved by the party responsible for compliance could void the user's authority to operate the equipment.

### **Concerning EVMs including radio transmitters**

This device complies with Industry Canada licence-exempt RSS standard(s). Operation is subject to the following two conditions: (1) this device may not cause interference, and (2) this device must accept any interference, including interference that may cause undesired operation of the device.

### **Concerning EVMs including detachable antennas**

Under Industry Canada regulations, this radio transmitter may only operate using an antenna of a type and maximum (or lesser) gain approved for the transmitter by Industry Canada. To reduce potential radio interference to other users, the antenna type and its gain should be so chosen that the equivalent isotropically radiated power (e.i.r.p.) is not more than that necessary for successful communication.

This radio transmitter has been approved by Industry Canada to operate with the antenna types listed in the user guide with the maximum permissible gain and required antenna impedance for each antenna type indicated. Antenna types not included in this list, having a gain greater than the maximum gain indicated for that type, are strictly prohibited for use with this device.

Cet appareil numérique de la classe A ou B est conforme à la norme NMB-003 du Canada.

Les changements ou les modifications pas expressément approuvés par la partie responsable de la conformité ont pu vider l'autorité de l'utilisateur pour actionner l'équipement.

### **Concernant les EVMs avec appareils radio**

Le présent appareil est conforme aux CNR d'Industrie Canada applicables aux appareils radio exempts de licence. L'exploitation est autorisée aux deux conditions suivantes : (1) l'appareil ne doit pas produire de brouillage, et (2) l'utilisateur de l'appareil doit accepter tout brouillage radioélectrique subi, même si le brouillage est susceptible d'en compromettre le fonctionnement.

### **Concernant les EVMs avec antennes détachables**

Conformément à la réglementation d'Industrie Canada, le présent émetteur radio peut fonctionner avec une antenne d'un type et d'un gain maximal (ou inférieur) approuvé pour l'émetteur par Industrie Canada. Dans le but de réduire les risques de brouillage radioélectrique à l'intention des autres utilisateurs, il faut choisir le type d'antenne et son gain de sorte que la puissance isotrope rayonnée équivalente (p.i.r.e.) ne dépasse pas l'intensité nécessaire à l'établissement d'une communication satisfaisante.

Le présent émetteur radio a été approuvé par Industrie Canada pour fonctionner avec les types d'antenne énumérés dans le manuel d'usage et ayant un gain admissible maximal et l'impédance requise pour chaque type d'antenne. Les types d'antenne non inclus dans cette liste, ou dont le gain est supérieur au gain maximal indiqué, sont strictement interdits pour l'exploitation de l'émetteur.

## **【Important Notice for Users of this Product in Japan】**

### **This development kit is NOT certified as Confirming to Technical Regulations of Radio Law of Japan**

If you use this product in Japan, you are required by Radio Law of Japan to follow the instructions below with respect to this product:

1. Use this product in a shielded room or any other test facility as defined in the notification #173 issued by Ministry of Internal Affairs and Communications on March 28, 2006, based on Sub-section 1.1 of Article 6 of the Ministry's Rule for Enforcement of Radio Law of Japan,
2. Use this product only after you obtained the license of Test Radio Station as provided in Radio Law of Japan with respect to this product, or
3. Use of this product only after you obtained the Technical Regulations Conformity Certification as provided in Radio Law of Japan with respect to this product. Also, please do not transfer this product, unless you give the same notice above to the transferee. Please note that if you could not follow the instructions above, you will be subject to penalties of Radio Law of Japan.

**Texas Instruments Japan Limited**  
**(address) 24-1, Nishi-Shinjuku 6 chome, Shinjuku-ku, Tokyo, Japan**

<http://www.tij.co.jp>

#### **【ご使用にあたっての注】**

本開発キットは技術基準適合証明を受けておりません。

本製品のご使用に際しては、電波法遵守のため、以下のいずれかの措置を取っていただく必要がありますのでご注意ください。

1. 電波法施行規則第6条第1項第1号に基づく平成18年3月28日総務省告示第173号で定められた電波暗室等の試験設備でご使用いただく。
2. 実験局の免許を取得後ご使用いただく。
3. 技術基準適合証明を取得後ご使用いただく。

なお、本製品は、上記の「ご使用にあたっての注意」を譲渡先、移転先に通知しない限り、譲渡、移転できないものとします。

上記を遵守頂けない場合は、電波法の罰則が適用される可能性があることをご留意ください。

日本テキサス・インスツルメンツ株式会社  
東京都新宿区西新宿6丁目24番1号  
西新宿三井ビル

<http://www.tij.co.jp>

## EVALUATION BOARD/KIT/MODULE (EVM) WARNINGS, RESTRICTIONS AND DISCLAIMERS

**For Feasibility Evaluation Only, in Laboratory/Development Environments.** Unless otherwise indicated, this EVM is not a finished electrical equipment and not intended for consumer use. It is intended solely for use for preliminary feasibility evaluation in laboratory/development environments by technically qualified electronics experts who are familiar with the dangers and application risks associated with handling electrical mechanical components, systems and subsystems. It should not be used as all or part of a finished end product.

Your Sole Responsibility and Risk. You acknowledge, represent and agree that:

1. You have unique knowledge concerning Federal, State and local regulatory requirements (including but not limited to Food and Drug Administration regulations, if applicable) which relate to your products and which relate to your use (and/or that of your employees, affiliates, contractors or designees) of the EVM for evaluation, testing and other purposes.
2. You have full and exclusive responsibility to assure the safety and compliance of your products with all such laws and other applicable regulatory requirements, and also to assure the safety of any activities to be conducted by you and/or your employees, affiliates, contractors or designees, using the EVM. Further, you are responsible to assure that any interfaces (electronic and/or mechanical) between the EVM and any human body are designed with suitable isolation and means to safely limit accessible leakage currents to minimize the risk of electrical shock hazard.
3. You will employ reasonable safeguards to ensure that your use of the EVM will not result in any property damage, injury or death, even if the EVM should fail to perform as described or expected.
4. You will take care of proper disposal and recycling of the EVM's electronic components and packing materials.

**Certain Instructions.** It is important to operate this EVM within TI's recommended specifications and environmental considerations per the user guidelines. Exceeding the specified EVM ratings (including but not limited to input and output voltage, current, power, and environmental ranges) may cause property damage, personal injury or death. If there are questions concerning these ratings please contact a TI field representative prior to connecting interface electronics including input power and intended loads. Any loads applied outside of the specified output range may result in unintended and/or inaccurate operation and/or possible permanent damage to the EVM and/or interface electronics. Please consult the EVM User's Guide prior to connecting any load to the EVM output. If there is uncertainty as to the load specification, please contact a TI field representative. During normal operation, some circuit components may have case temperatures greater than 60°C as long as the input and output are maintained at a normal ambient operating temperature. These components include but are not limited to linear regulators, switching transistors, pass transistors, and current sense resistors which can be identified using the EVM schematic located in the EVM User's Guide. When placing measurement probes near these devices during normal operation, please be aware that these devices may be very warm to the touch. As with all electronic evaluation tools, only qualified personnel knowledgeable in electronic measurement and diagnostics normally found in development environments should use these EVMs.

**Agreement to Defend, Indemnify and Hold Harmless.** You agree to defend, indemnify and hold TI, its licensors and their representatives harmless from and against any and all claims, damages, losses, expenses, costs and liabilities (collectively, "Claims") arising out of or in connection with any use of the EVM that is not in accordance with the terms of the agreement. This obligation shall apply whether Claims arise under law of tort or contract or any other legal theory, and even if the EVM fails to perform as described or expected.

**Safety-Critical or Life-Critical Applications.** If you intend to evaluate the components for possible use in safety critical applications (such as life support) where a failure of the TI product would reasonably be expected to cause severe personal injury or death, such as devices which are classified as FDA Class III or similar classification, then you must specifically notify TI of such intent and enter into a separate Assurance and Indemnity Agreement.

Mailing Address: Texas Instruments, Post Office Box 655303, Dallas, Texas 75265  
Copyright © 2012, Texas Instruments Incorporated

## EVALUATION BOARD/KIT/MODULE (EVM) ADDITIONAL TERMS

Texas Instruments (TI) provides the enclosed Evaluation Board/Kit/Module (EVM) under the following conditions:

The user assumes all responsibility and liability for proper and safe handling of the goods. Further, the user indemnifies TI from all claims arising from the handling or use of the goods.

Should this evaluation board/kit not meet the specifications indicated in the User's Guide, the board/kit may be returned within 30 days from the date of delivery for a full refund. THE FOREGOING LIMITED WARRANTY IS THE EXCLUSIVE WARRANTY MADE BY SELLER TO BUYER AND IS IN LIEU OF ALL OTHER WARRANTIES, EXPRESSED, IMPLIED, OR STATUTORY, INCLUDING ANY WARRANTY OF MERCHANTABILITY OR FITNESS FOR ANY PARTICULAR PURPOSE. EXCEPT TO THE EXTENT OF THE INDEMNITY SET FORTH ABOVE, NEITHER PARTY SHALL BE LIABLE TO THE OTHER FOR ANY INDIRECT, SPECIAL, INCIDENTAL, OR CONSEQUENTIAL DAMAGES.

Please read the User's Guide and, specifically, the Warnings and Restrictions notice in the User's Guide prior to handling the product. This notice contains important safety information about temperatures and voltages. For additional information on TI's environmental and/or safety programs, please visit [www.ti.com/esh](http://www.ti.com/esh) or contact TI.

No license is granted under any patent right or other intellectual property right of TI covering or relating to any machine, process, or combination in which such TI products or services might be or are used. TI currently deals with a variety of customers for products, and therefore our arrangement with the user is not exclusive. TI assumes no liability for applications assistance, customer product design, software performance, or infringement of patents or services described herein.

## REGULATORY COMPLIANCE INFORMATION

As noted in the EVM User's Guide and/or EVM itself, this EVM and/or accompanying hardware may or may not be subject to the Federal Communications Commission (FCC) and Industry Canada (IC) rules.

For EVMs **not** subject to the above rules, this evaluation board/kit/module is intended for use for ENGINEERING DEVELOPMENT, DEMONSTRATION OR EVALUATION PURPOSES ONLY and is not considered by TI to be a finished end product fit for general consumer use. It generates, uses, and can radiate radio frequency energy and has not been tested for compliance with the limits of computing devices pursuant to part 15 of FCC or ICES-003 rules, which are designed to provide reasonable protection against radio frequency interference. Operation of the equipment may cause interference with radio communications, in which case the user at his own expense will be required to take whatever measures may be required to correct this interference.

### General Statement for EVMs including a radio

*User Power/Frequency Use Obligations:* This radio is intended for development/professional use only in legally allocated frequency and power limits. Any use of radio frequencies and/or power availability of this EVM and its development application(s) must comply with local laws governing radio spectrum allocation and power limits for this evaluation module. It is the user's sole responsibility to only operate this radio in legally acceptable frequency space and within legally mandated power limitations. Any exceptions to this are strictly prohibited and unauthorized by Texas Instruments unless user has obtained appropriate experimental/development licenses from local regulatory authorities, which is responsibility of user including its acceptable authorization.

### For EVMs annotated as FCC – FEDERAL COMMUNICATIONS COMMISSION Part 15 Compliant

#### Caution

This device complies with part 15 of the FCC Rules. Operation is subject to the following two conditions: (1) This device may not cause harmful interference, and (2) this device must accept any interference received, including interference that may cause undesired operation.

Changes or modifications not expressly approved by the party responsible for compliance could void the user's authority to operate the equipment.

### FCC Interference Statement for Class A EVM devices

This equipment has been tested and found to comply with the limits for a Class A digital device, pursuant to part 15 of the FCC Rules. These limits are designed to provide reasonable protection against harmful interference when the equipment is operated in a commercial environment. This equipment generates, uses, and can radiate radio frequency energy and, if not installed and used in accordance with the instruction manual, may cause harmful interference to radio communications. Operation of this equipment in a residential area is likely to cause harmful interference in which case the user will be required to correct the interference at his own expense.



### **FCC Interference Statement for Class B EVM devices**

This equipment has been tested and found to comply with the limits for a Class B digital device, pursuant to part 15 of the FCC Rules. These limits are designed to provide reasonable protection against harmful interference in a residential installation. This equipment generates, uses and can radiate radio frequency energy and, if not installed and used in accordance with the instructions, may cause harmful interference to radio communications. However, there is no guarantee that interference will not occur in a particular installation. If this equipment does cause harmful interference to radio or television reception, which can be determined by turning the equipment off and on, the user is encouraged to try to correct the interference by one or more of the following measures:

- Reorient or relocate the receiving antenna.
- Increase the separation between the equipment and receiver.
- Connect the equipment into an outlet on a circuit different from that to which the receiver is connected.
- Consult the dealer or an experienced radio/TV technician for help.

### **For EVMs annotated as IC – INDUSTRY CANADA Compliant**

This Class A or B digital apparatus complies with Canadian ICES-003.

Changes or modifications not expressly approved by the party responsible for compliance could void the user's authority to operate the equipment.

### **Concerning EVMs including radio transmitters**

This device complies with Industry Canada licence-exempt RSS standard(s). Operation is subject to the following two conditions: (1) this device may not cause interference, and (2) this device must accept any interference, including interference that may cause undesired operation of the device.

### **Concerning EVMs including detachable antennas**

Under Industry Canada regulations, this radio transmitter may only operate using an antenna of a type and maximum (or lesser) gain approved for the transmitter by Industry Canada. To reduce potential radio interference to other users, the antenna type and its gain should be so chosen that the equivalent isotropically radiated power (e.i.r.p.) is not more than that necessary for successful communication.

This radio transmitter has been approved by Industry Canada to operate with the antenna types listed in the user guide with the maximum permissible gain and required antenna impedance for each antenna type indicated. Antenna types not included in this list, having a gain greater than the maximum gain indicated for that type, are strictly prohibited for use with this device.

Cet appareil numérique de la classe A ou B est conforme à la norme NMB-003 du Canada.

Les changements ou les modifications pas expressément approuvés par la partie responsable de la conformité ont pu vider l'autorité de l'utilisateur pour actionner l'équipement.

### **Concernant les EVMs avec appareils radio**

Le présent appareil est conforme aux CNR d'Industrie Canada applicables aux appareils radio exempts de licence. L'exploitation est autorisée aux deux conditions suivantes : (1) l'appareil ne doit pas produire de brouillage, et (2) l'utilisateur de l'appareil doit accepter tout brouillage radioélectrique subi, même si le brouillage est susceptible d'en compromettre le fonctionnement.

### **Concernant les EVMs avec antennes détachables**

Conformément à la réglementation d'Industrie Canada, le présent émetteur radio peut fonctionner avec une antenne d'un type et d'un gain maximal (ou inférieur) approuvé pour l'émetteur par Industrie Canada. Dans le but de réduire les risques de brouillage radioélectrique à l'intention des autres utilisateurs, il faut choisir le type d'antenne et son gain de sorte que la puissance isotrope rayonnée équivalente (p.i.r.e.) ne dépasse pas l'intensité nécessaire à l'établissement d'une communication satisfaisante.

Le présent émetteur radio a été approuvé par Industrie Canada pour fonctionner avec les types d'antenne énumérés dans le manuel d'usage et ayant un gain admissible maximal et l'impédance requise pour chaque type d'antenne. Les types d'antenne non inclus dans cette liste, ou dont le gain est supérieur au gain maximal indiqué, sont strictement interdits pour l'exploitation de l'émetteur.

## **【Important Notice for Users of this Product in Japan】**

### **This development kit is NOT certified as Confirming to Technical Regulations of Radio Law of Japan**

If you use this product in Japan, you are required by Radio Law of Japan to follow the instructions below with respect to this product:

1. Use this product in a shielded room or any other test facility as defined in the notification #173 issued by Ministry of Internal Affairs and Communications on March 28, 2006, based on Sub-section 1.1 of Article 6 of the Ministry's Rule for Enforcement of Radio Law of Japan,
2. Use this product only after you obtained the license of Test Radio Station as provided in Radio Law of Japan with respect to this product, or
3. Use of this product only after you obtained the Technical Regulations Conformity Certification as provided in Radio Law of Japan with respect to this product. Also, please do not transfer this product, unless you give the same notice above to the transferee. Please note that if you could not follow the instructions above, you will be subject to penalties of Radio Law of Japan.

**Texas Instruments Japan Limited**  
**(address) 24-1, Nishi-Shinjuku 6 chome, Shinjuku-ku, Tokyo, Japan**

<http://www.tij.co.jp>

#### **【ご使用にあたっての注】**

本開発キットは技術基準適合証明を受けておりません。

本製品のご使用に際しては、電波法遵守のため、以下のいずれかの措置を取っていただく必要がありますのでご注意ください。

1. 電波法施行規則第6条第1項第1号に基づく平成18年3月28日総務省告示第173号で定められた電波暗室等の試験設備でご使用いただく。
2. 実験局の免許を取得後ご使用いただく。
3. 技術基準適合証明を取得後ご使用いただく。

なお、本製品は、上記の「ご使用にあたっての注意」を譲渡先、移転先に通知しない限り、譲渡、移転できないものとします。

上記を遵守頂けない場合は、電波法の罰則が適用される可能性があることをご留意ください。

日本テキサス・インスツルメンツ株式会社  
東京都新宿区西新宿6丁目24番1号  
西新宿三井ビル

<http://www.tij.co.jp>

## **EVALUATION BOARD/KIT/MODULE (EVM) WARNINGS, RESTRICTIONS AND DISCLAIMERS**

**For Feasibility Evaluation Only, in Laboratory/Development Environments.** Unless otherwise indicated, this EVM is not a finished electrical equipment and not intended for consumer use. It is intended solely for use for preliminary feasibility evaluation in laboratory/development environments by technically qualified electronics experts who are familiar with the dangers and application risks associated with handling electrical mechanical components, systems and subsystems. It should not be used as all or part of a finished end product.

Your Sole Responsibility and Risk. You acknowledge, represent and agree that:

1. You have unique knowledge concerning Federal, State and local regulatory requirements (including but not limited to Food and Drug Administration regulations, if applicable) which relate to your products and which relate to your use (and/or that of your employees, affiliates, contractors or designees) of the EVM for evaluation, testing and other purposes.
2. You have full and exclusive responsibility to assure the safety and compliance of your products with all such laws and other applicable regulatory requirements, and also to assure the safety of any activities to be conducted by you and/or your employees, affiliates, contractors or designees, using the EVM. Further, you are responsible to assure that any interfaces (electronic and/or mechanical) between the EVM and any human body are designed with suitable isolation and means to safely limit accessible leakage currents to minimize the risk of electrical shock hazard.
3. You will employ reasonable safeguards to ensure that your use of the EVM will not result in any property damage, injury or death, even if the EVM should fail to perform as described or expected.
4. You will take care of proper disposal and recycling of the EVM's electronic components and packing materials.

**Certain Instructions.** It is important to operate this EVM within TI's recommended specifications and environmental considerations per the user guidelines. Exceeding the specified EVM ratings (including but not limited to input and output voltage, current, power, and environmental ranges) may cause property damage, personal injury or death. If there are questions concerning these ratings please contact a TI field representative prior to connecting interface electronics including input power and intended loads. Any loads applied outside of the specified output range may result in unintended and/or inaccurate operation and/or possible permanent damage to the EVM and/or interface electronics. Please consult the EVM User's Guide prior to connecting any load to the EVM output. If there is uncertainty as to the load specification, please contact a TI field representative. During normal operation, some circuit components may have case temperatures greater than 60°C as long as the input and output are maintained at a normal ambient operating temperature. These components include but are not limited to linear regulators, switching transistors, pass transistors, and current sense resistors which can be identified using the EVM schematic located in the EVM User's Guide. When placing measurement probes near these devices during normal operation, please be aware that these devices may be very warm to the touch. As with all electronic evaluation tools, only qualified personnel knowledgeable in electronic measurement and diagnostics normally found in development environments should use these EVMs.

**Agreement to Defend, Indemnify and Hold Harmless.** You agree to defend, indemnify and hold TI, its licensors and their representatives harmless from and against any and all claims, damages, losses, expenses, costs and liabilities (collectively, "Claims") arising out of or in connection with any use of the EVM that is not in accordance with the terms of the agreement. This obligation shall apply whether Claims arise under law of tort or contract or any other legal theory, and even if the EVM fails to perform as described or expected.

**Safety-Critical or Life-Critical Applications.** If you intend to evaluate the components for possible use in safety critical applications (such as life support) where a failure of the TI product would reasonably be expected to cause severe personal injury or death, such as devices which are classified as FDA Class III or similar classification, then you must specifically notify TI of such intent and enter into a separate Assurance and Indemnity Agreement.

Mailing Address: Texas Instruments, Post Office Box 655303, Dallas, Texas 75265  
Copyright © 2012, Texas Instruments Incorporated

## IMPORTANT NOTICE

Texas Instruments Incorporated and its subsidiaries (TI) reserve the right to make corrections, enhancements, improvements and other changes to its semiconductor products and services per JESD46, latest issue, and to discontinue any product or service per JESD48, latest issue. Buyers should obtain the latest relevant information before placing orders and should verify that such information is current and complete. All semiconductor products (also referred to herein as "components") are sold subject to TI's terms and conditions of sale supplied at the time of order acknowledgment.

TI warrants performance of its components to the specifications applicable at the time of sale, in accordance with the warranty in TI's terms and conditions of sale of semiconductor products. Testing and other quality control techniques are used to the extent TI deems necessary to support this warranty. Except where mandated by applicable law, testing of all parameters of each component is not necessarily performed.

TI assumes no liability for applications assistance or the design of Buyers' products. Buyers are responsible for their products and applications using TI components. To minimize the risks associated with Buyers' products and applications, Buyers should provide adequate design and operating safeguards.

TI does not warrant or represent that any license, either express or implied, is granted under any patent right, copyright, mask work right, or other intellectual property right relating to any combination, machine, or process in which TI components or services are used. Information published by TI regarding third-party products or services does not constitute a license to use such products or services or a warranty or endorsement thereof. Use of such information may require a license from a third party under the patents or other intellectual property of the third party, or a license from TI under the patents or other intellectual property of TI.

Reproduction of significant portions of TI information in TI data books or data sheets is permissible only if reproduction is without alteration and is accompanied by all associated warranties, conditions, limitations, and notices. TI is not responsible or liable for such altered documentation. Information of third parties may be subject to additional restrictions.

Resale of TI components or services with statements different from or beyond the parameters stated by TI for that component or service voids all express and any implied warranties for the associated TI component or service and is an unfair and deceptive business practice. TI is not responsible or liable for any such statements.

Buyer acknowledges and agrees that it is solely responsible for compliance with all legal, regulatory and safety-related requirements concerning its products, and any use of TI components in its applications, notwithstanding any applications-related information or support that may be provided by TI. Buyer represents and agrees that it has all the necessary expertise to create and implement safeguards which anticipate dangerous consequences of failures, monitor failures and their consequences, lessen the likelihood of failures that might cause harm and take appropriate remedial actions. Buyer will fully indemnify TI and its representatives against any damages arising out of the use of any TI components in safety-critical applications.

In some cases, TI components may be promoted specifically to facilitate safety-related applications. With such components, TI's goal is to help enable customers to design and create their own end-product solutions that meet applicable functional safety standards and requirements. Nonetheless, such components are subject to these terms.

No TI components are authorized for use in FDA Class III (or similar life-critical medical equipment) unless authorized officers of the parties have executed a special agreement specifically governing such use.

Only those TI components which TI has specifically designated as military grade or "enhanced plastic" are designed and intended for use in military/aerospace applications or environments. Buyer acknowledges and agrees that any military or aerospace use of TI components which have **not** been so designated is solely at the Buyer's risk, and that Buyer is solely responsible for compliance with all legal and regulatory requirements in connection with such use.

TI has specifically designated certain components which meet ISO/TS16949 requirements, mainly for automotive use. Components which have not been so designated are neither designed nor intended for automotive use; and TI will not be responsible for any failure of such components to meet such requirements.

### Products

Audio	<a href="http://www.ti.com/audio">www.ti.com/audio</a>
Amplifiers	<a href="http://amplifier.ti.com">amplifier.ti.com</a>
Data Converters	<a href="http://dataconverter.ti.com">dataconverter.ti.com</a>
DLP® Products	<a href="http://www.dlp.com">www.dlp.com</a>
DSP	<a href="http://dsp.ti.com">dsp.ti.com</a>
Clocks and Timers	<a href="http://www.ti.com/clocks">www.ti.com/clocks</a>
Interface	<a href="http://interface.ti.com">interface.ti.com</a>
Logic	<a href="http://logic.ti.com">logic.ti.com</a>
Power Mgmt	<a href="http://power.ti.com">power.ti.com</a>
Microcontrollers	<a href="http://microcontroller.ti.com">microcontroller.ti.com</a>
RFID	<a href="http://www.ti-rfid.com">www.ti-rfid.com</a>
OMAP Applications Processors	<a href="http://www.ti.com/omap">www.ti.com/omap</a>
Wireless Connectivity	<a href="http://www.ti.com/wirelessconnectivity">www.ti.com/wirelessconnectivity</a>

### Applications

Automotive and Transportation	<a href="http://www.ti.com/automotive">www.ti.com/automotive</a>
Communications and Telecom	<a href="http://www.ti.com/communications">www.ti.com/communications</a>
Computers and Peripherals	<a href="http://www.ti.com/computers">www.ti.com/computers</a>
Consumer Electronics	<a href="http://www.ti.com/consumer-apps">www.ti.com/consumer-apps</a>
Energy and Lighting	<a href="http://www.ti.com/energy">www.ti.com/energy</a>
Industrial	<a href="http://www.ti.com/industrial">www.ti.com/industrial</a>
Medical	<a href="http://www.ti.com/medical">www.ti.com/medical</a>
Security	<a href="http://www.ti.com/security">www.ti.com/security</a>
Space, Avionics and Defense	<a href="http://www.ti.com/space-avionics-defense">www.ti.com/space-avionics-defense</a>
Video and Imaging	<a href="http://www.ti.com/video">www.ti.com/video</a>

### TI E2E Community

[e2e.ti.com](http://e2e.ti.com)