

ZB4BK1353

cabeza selector selector iluminado -3 posiciones - Ø 22 - amarillo



Principal

Gama de producto	Harmony XB4
Tipo de producto o componente	Cabeza p/ conmutador selector iluminado
Compatibilidad del producto	LED integral
Nombre corto del dispositivo	ZB4
Material del bisel	<= 3 dB
Diámetro de montaje	22 mm
Se vende en cantidades indivisibles	1
Forma del cabezal de unidad de	Redondo
Tipo de operario	Mantenido
Perfil de operador	Naranja maneta estándar
Información posición operador	3 posiciones de +/- 45°

Complementario

Anchura global CAD	29 mm
Altura global CAD	29 mm
Fondo global CAD	43 mm
Peso del producto	0.036 kg
Resistencia a lavadoras de alta presión	7000000 Pa en 55 °C, distancia: 0,1
Endurancia mecánica	500000 ciclos
Flechas salientes	M10 para <= 2 contactos uso único bloques en montaje frontal con LED integral M6 para <= 2 contactos uso único bloques en montaje frontal con integral LED and transformer M3 para <= 4 contactos uso único bloques en montaje frontal con LED integral M4 para <= 4 contactos uso single and double bloques en montaje frontal con LED integral

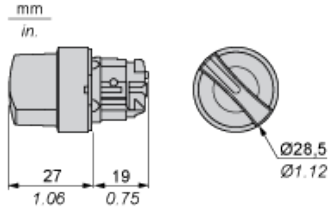
Medioambiente

tratamiento	TH
temperatura ambiente de almacenamiento	-40...70 °C
temperatura ambiente de trabajo	-25...70 °C
clase de protección contra choques eléctricos	Clase I de acuerdo con IEC 60536
grado de protección IP	IP69K de acuerdo con IEC 60529
grado de protección NEMA	NEMA 13 NEMA 4X
grado de protección IK	IK06 de acuerdo con IEC 50102
normas	EN/IEC 60947-1 EN/IEC 60947-5-1 EN/IEC 60947-5-4 EN/IEC 60947-5-5 JIS C 4520 UL 508 CSA C22.2 No 14
certificaciones	BV CSA DNV GL LROS (Lloyds Register of Shipping) RINA Registrado por UL
resistencia a las vibraciones	5 gn (f = 2...500 Hz) de acuerdo con IEC 60068-2-6
resistencia a los choques	30 gn (duración = 18 ms) para aceleración de media onda sinusoidal de acuerdo con IEC 60068-2-27

Contractual warranty

Warranty period	18 months
-----------------	-----------

Dimensions

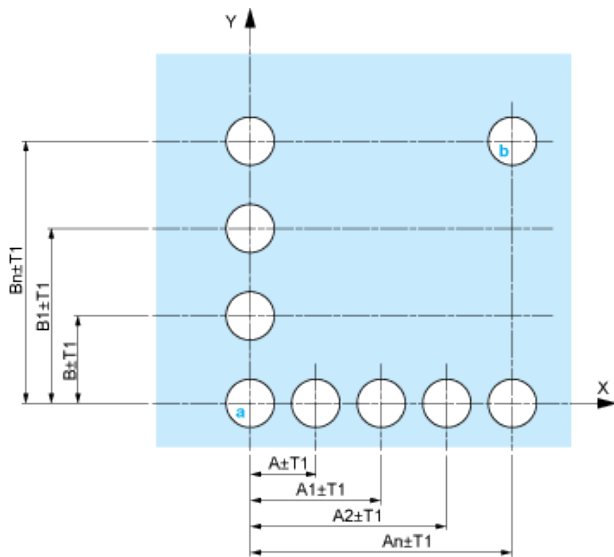


Panel Cut-out for Pushbuttons, Switches and Pilot Lights (Finished Holes, Ready for Installation)

Connection by Screw Clamp Terminals or Plug-in Connectors or on Printed Circuit Board	Connection by Faston Connectors
<p>(1) Diameter on finished panel or support</p> <p>(2) 40 mm min. / 1.57 in. min.</p> <p>(3) 30 mm min. / 1.18 in. min.</p> <p>(4) $\varnothing 22.5$ mm / 0.89 in. recommended ($\varnothing 22.3$ mm $^{+0.4}_0$ / 0.88 in. $^{+0.016}_0$)</p> <p>(5) 45 mm min. / 1.78 in. min.</p> <p>(6) 32 mm min. / 1.26 in. min.</p>	

Pushbuttons, Switches and Pilot Lights for Printed Circuit Board Connection

Panel Cut-outs (Viewed from Installer's Side)

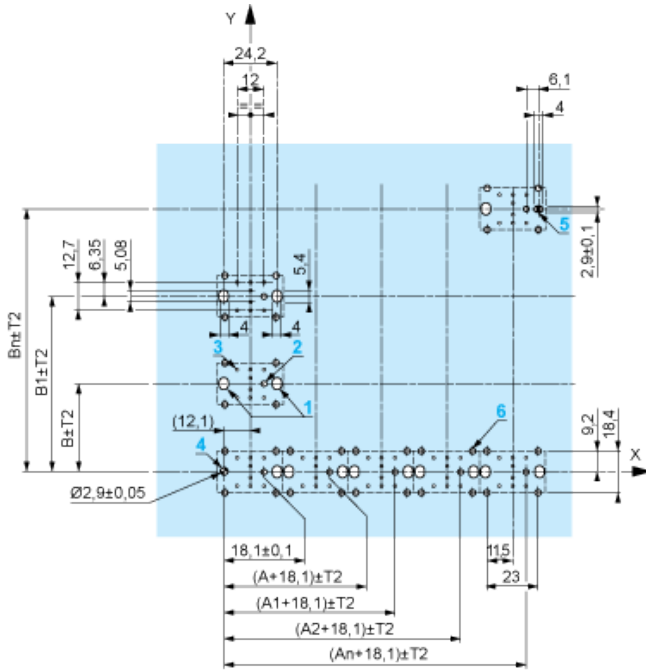


A: 30 mm min. / 1.18 in. min.

B: 40 mm min. / 1.57 in. min.

Printed Circuit Board Cut-outs (Viewed from Electrical Block Side)

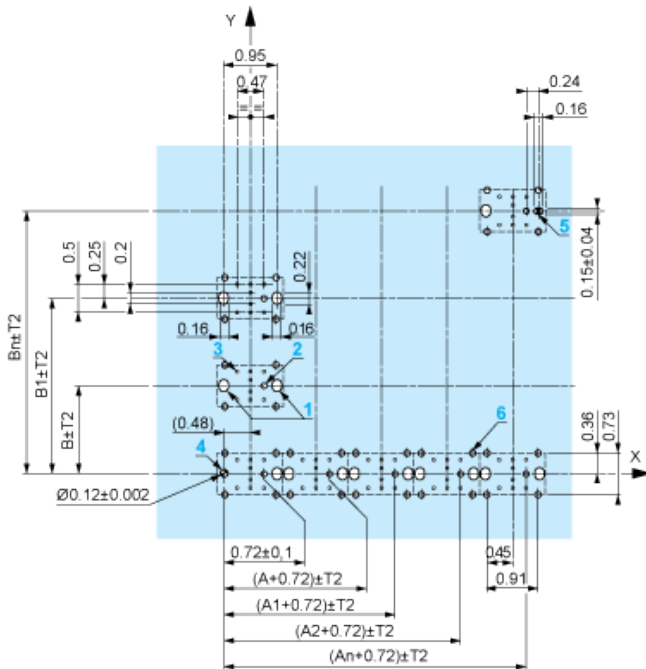
Dimensions in mm



A: 30 mm min.

B: 40 mm min.

Dimensions in in.



A: 1.18 in. min.

B: 1.57 in. min.

General Tolerances of the Panel and Printed Circuit Board

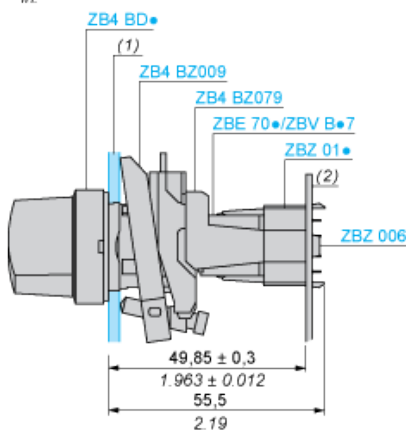
The cumulative tolerance must not exceed 0.3 mm / 0.012 in: $T1 + T2 = 0.3 \text{ mm max.}$

Installation Precautions

- Minimum thickness of circuit board: 1.6 mm / 0.06 in.
- Cut-out diameter: 22.4 mm \pm 0.1 / 0.88 in. \pm 0.004
- Orientation of body/fixing collar ZB4 BZ009: $\pm 2^\circ 30'$ (excluding cut-outs marked **a** and **b**).
- Tightening torque of screws ZBZ 006: 0.6 N.m (5.3 lbf.in) max.
- Allow for one ZB4 BZ079 fixing collar/pillar and its fixing screws:
 - every 90 mm / 3.54 in. horizontally (X), and 120 mm / 4.72 in. vertically (Y).
 - with each selector switch head (ZB4 BD•, ZB4 BJ•, ZB4 BG•).

The fixing centers marked **a** and **b** are diagonally opposed and must align with those marked **4** and **5**.

$\frac{\text{mm}}{\text{in.}}$



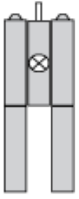
(1) Panel

(2) Printed circuit board

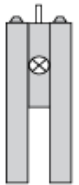
Mounting of Adapter (Socket) ZBZ 01•

- 1 2 elongated holes for ZBZ 006 screw access
- 2 1 hole $\text{Ø} 2.4 \text{ mm} \pm 0.05 / 0.09 \text{ in.} \pm 0.002$ for centring adapter ZBZ 01•
- 3 8 $\times \text{Ø} 1.2 \text{ mm} / 0.05 \text{ in.}$ holes
- 4 1 hole $\text{Ø} 2.9 \text{ mm} \pm 0.05 / 0.11 \text{ in.} \pm 0.002$, for aligning the printed circuit board (with cut-out marked **a**)
- 5 1 elongated hole for aligning the printed circuit board (with cut-out marked **b**)
- 6 4 holes $\text{Ø} 2.4 \text{ mm} / 0.09 \text{ in.}$ for clipping in adapter ZBZ 01•

Electrical Composition Corresponding to Code M3



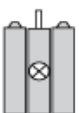
Electrical Composition Corresponding to Code M4



Electrical Composition Corresponding to Codes M6 and P2



Electrical Composition Corresponding to Codes M5, M10, MF1, MR1 and MF2



Legend

Single contact



Double contact



Light block



Possible location



Sequence of Contacts Fitted to 3-position Selector Switch Body

Position 315°



Push	Position	Top			
		Bottom			
	Location		Left		Right
	State		1		0
Contacts	N/O		closed	open	
	N/C		open	closed	

Position 0°



Push	Position	Top			
		Bottom			
	Location		Left		Right
	State		0		0
Contacts	N/O		open	open	
	N/C		closed	closed	

Position 45°



Push	Position	Top			
		Bottom			
	Location		Left		Right
	State		0		1
Contacts	N/O		open	closed	
	N/C		closed	open	