



### Caracteristici Principale

Gama de produse	Harmony XB4
Tip produs sau componenta	Cap pentru selector iluminat
Compatibilitate produs	LED integral
Nume scurt al dispozitivului	ZB4
Material rama	Metal cromat
Diametrul de montaj	22 mm
Vânzare în cantitate indivizibilă	1
Forma a capului unitatii de semnalizare	Rotund
Tip de operator	Fără revenire
Profil operator	Albastru mâner standard
Informatii de pozitie operator	2 pozitii 90°

### Complementare

CAD lățime globală	29 mm
CAD înălțime globală	29 mm
CAD adâncime globală	43 mm
Greutate produs	0.036 kg
Rezistență la spălare cu presiune înaltă	7000000 Pa la 55 °C, distanța: 0.1 m
Durabilitate mecanică	500000 cic
Electrical composition code	M10 pentru <= 2 contacte utilizând monofilar bloc în montajin fata cu LED integral M6 pentru <= 2 contacte utilizând monofilar bloc în montajin fata cu integral LED and transformer M3 pentru <= 4 contacte utilizând monofilar bloc în montajin fata cu LED integral M4 pentru <= 4 contacte utilizând single and double bloc în montajin fata cu LED integral

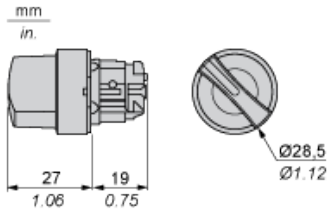
### Mediu

tratament protector	TH
temperatura de depozitare	-40...70 °C
temperatura ambiantă pentru utilizare	-25...70 °C
clasa de protecție la electrocutare	Clasa I conformitate cu IEC 60536
grad de protecție IP	IP69K conformitate cu SR EN 60529
grad de protecție NEMA	NEMA 13 NEMA 4X
grad de protecție IK	IK06 conformitate cu IEC 50102
standarde	EN/IEC 60947-1 SR EN 60947-5-1 EN/IEC 60947-5-4 EN/IEC 60947-5-5 JIS C 4520 UL 508 CSA C22.2 No 15
certificari produs	BV CSA DNV GL LROS (Lloyds register of shipping) RINA Listat de UL
rezistenta la vibratii	5 gn (f = 2...500 Hz) conformitate cu IEC 60068-2-6
rezistenta la socuri	30 gn (durata = 18 ms) pentru half sine wave acceleration conformitate cu IEC 60068-2-27

## Contractual warranty

Perioada 18 months

## Dimensions

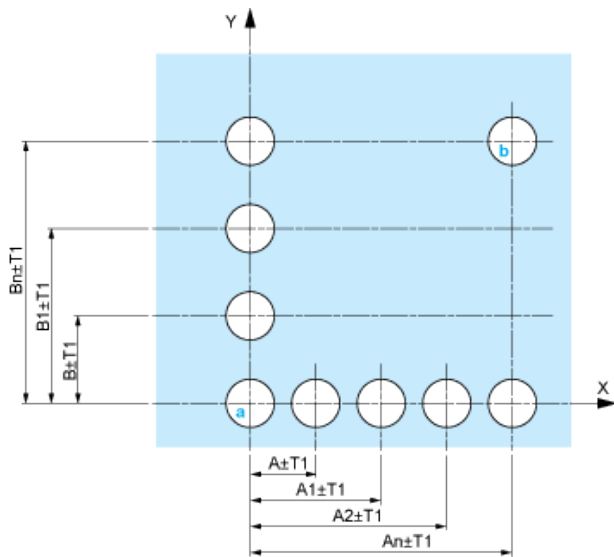


## Panel Cut-out for Pushbuttons, Switches and Pilot Lights (Finished Holes, Ready for Installation)

Connection by Screw Clamp Terminals or Plug-in Connectors or on Printed Circuit Board	Connection by Faston Connectors
<p>(1) Diameter on finished panel or support</p> <p>(2) 40 mm min. / 1.57 in. min.</p> <p>(3) 30 mm min. / 1.18 in. min.</p> <p>(4) <math>\varnothing 22.5</math> mm / 0.89 in. recommended (<math>\varnothing 22.3</math> mm <math>^{+0.4}_0</math> / 0.88 in. <math>^{+0.016}_0</math>)</p> <p>(5) 45 mm min. / 1.78 in. min.</p> <p>(6) 32 mm min. / 1.26 in. min.</p>	

## Pushbuttons, Switches and Pilot Lights for Printed Circuit Board Connection

### Panel Cut-outs (Viewed from Installer's Side)

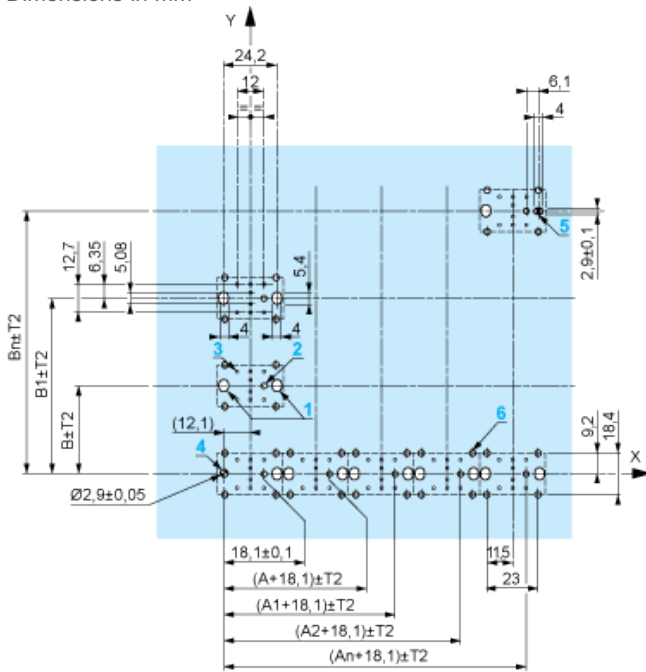


A: 30 mm min. / 1.18 in. min.

B: 40 mm min. / 1.57 in. min.

**Printed Circuit Board Cut-outs (Viewed from Electrical Block Side)**

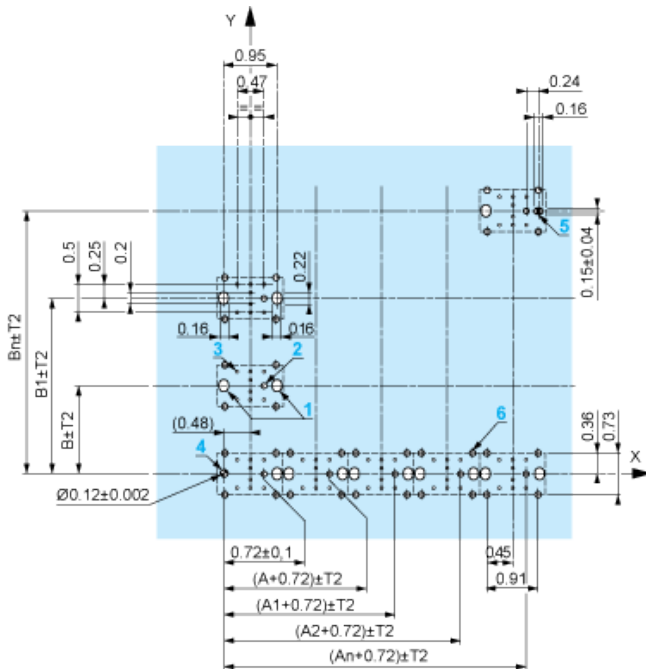
Dimensions in mm



A: 30 mm min.

B: 40 mm min.

Dimensions in in.



A: 1.18 in. min.

B: 1.57 in. min.

### General Tolerances of the Panel and Printed Circuit Board

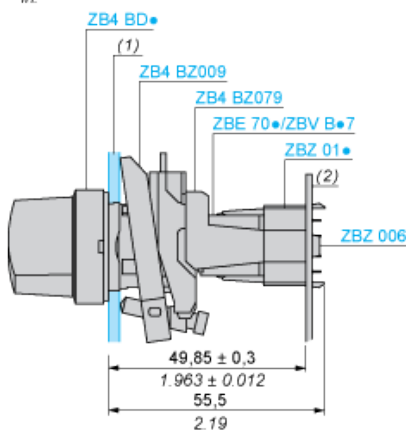
The cumulative tolerance must not exceed 0.3 mm / 0.012 in:  $T1 + T2 = 0.3 \text{ mm max.}$

### Installation Precautions

- Minimum thickness of circuit board: 1.6 mm / 0.06 in.
- Cut-out diameter: 22.4 mm  $\pm$  0.1 / 0.88 in.  $\pm$  0.004
- Orientation of body/fixing collar ZB4 BZ009:  $\pm 2^\circ 30'$  (excluding cut-outs marked **a** and **b**).
- Tightening torque of screws ZBZ 006: 0.6 N.m (5.3 lbf.in) max.
- Allow for one ZB4 BZ079 fixing collar/pillar and its fixing screws:
  - every 90 mm / 3.54 in. horizontally (X), and 120 mm / 4.72 in. vertically (Y).
  - with each selector switch head (ZB4 BD•, ZB4 BJ•, ZB4 BG•).

The fixing centers marked **a** and **b** are diagonally opposed and must align with those marked **4** and **5**.

$\frac{\text{mm}}{\text{in.}}$



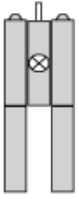
(1) Panel

(2) Printed circuit board

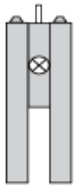
### Mounting of Adapter (Socket) ZBZ 01•

- 1 2 elongated holes for ZBZ 006 screw access
- 2 1 hole  $\text{Ø} 2.4 \text{ mm} \pm 0.05 / 0.09 \text{ in.} \pm 0.002$  for centring adapter ZBZ 01•
- 3 8  $\times \text{Ø} 1.2 \text{ mm} / 0.05 \text{ in.}$  holes
- 4 1 hole  $\text{Ø} 2.9 \text{ mm} \pm 0.05 / 0.11 \text{ in.} \pm 0.002$ , for aligning the printed circuit board (with cut-out marked **a**)
- 5 1 elongated hole for aligning the printed circuit board (with cut-out marked **b**)
- 6 4 holes  $\text{Ø} 2.4 \text{ mm} / 0.09 \text{ in.}$  for clipping in adapter ZBZ 01•

### Electrical Composition Corresponding to Code M3



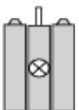
### Electrical Composition Corresponding to Code M4



### Electrical Composition Corresponding to Codes M6 and P2



### Electrical Composition Corresponding to Codes M5, M10, MF1, MR1 and MF2



### Legend

Single contact



Double contact



Light block



Possible location



## Sequence of Contacts Fitted to 2-position Selector Switch Body

### Position 315°



<b>Push</b>	Position	Top			
		Bottom			
	Location		Left		Right
	State		0		0
<b>Contacts</b>	N/O		open	open	
	N/C		closed	closed	

### Position 45°



<b>Push</b>	Position	Top			
		Bottom			
	Location		Left		Right
	State		1		1
<b>Contacts</b>	N/O		closed	closed	
	N/C		open	open	