



## Main

|                           |   |
|---------------------------|---|
| Range of product          | Harmony 9001K                             |
| Product or component type | Complete pushbutton                       |
| Device short name         | 9001K                                     |
| Type of operator          | Spring return                             |
| Operator profile          | Flush, 7 colors choice marking: unmarked, |

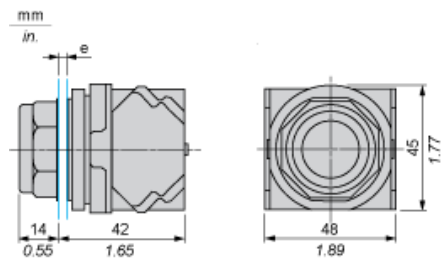
## Complementary

|  |  |
|--|--|
| Bezel material   | Chromium plated metal  |
| Mounting diameter  | 30 mm  |
| Shape of signaling unit head                             | Octagonal  |
| Contacts type and composition                            | 1 NO   |
| Connections - terminals                                  | Screw clamp terminals 1 x 0.22...2 x 1.5 mm <sup>2</sup> conforming to IEC 60947-1   |
| Tightening torque  | 0.8 N.m conforming to IEC 60947-1  |
| Shape of screw head                                      | Cross slotted  |
| Mechanical durability                                    | 5000000 cycles   |
| Operating position                                       | Any position   |
| [I <sub>e</sub> ] rated operational current              | 0.55 A 125 V DC-13 A600-Q600 NEMA<br>3 A 240 V AC-15 A600-Q600 NEMA  |
| [U <sub>i</sub> ] rated insulation voltage               | 250 V, degree of pollution: 3 conforming to IEC 60947-1  |
| [U <sub>imp</sub> ] rated impulse withstand voltage      | 2.5 kV conforming to IEC 60947-1   |
| Contacts material  | Silver alloy contacts  |
| Contacts operation                                       | Slow-break   |
| Positive opening   | Without  |
| Short circuit protection                                 | 10 A cartridge fuse conforming to IEC 60947-5-1  |
| [I <sub>th</sub> ] conventional free air thermal current | 10 A   |
| [I <sub>cm</sub> ] rated short-circuit making capacity   | <= 60 kA at 120 V AC-15, 7200 VA<br><= 30 kA at 240 V AC-15, 7200 VA<br><= 15 kA at 480 V AC-15, 7200 VA<br><= 12 kA at 600 V AC-15, 7200 VA   |
| Rated breaking capacity                                  | <= 1.5 kA at 480 V AC-15, 720 VA<br><= 1.2 kA at 600 V AC-15, 720 VA<br><= 0.55 kA at 125 V DC-13<br><= 0.27 kA at 250 V DC-13<br><= 0.1 kA at 600 V DC-13<br><= 6 kA at 120 V AC-15, 720 VA<br><= 3 kA at 240 V AC-15, 720 VA |
| Product weight   | 0.121 kg   |

## Environment

|  |  |
|--|--|
| Standards                                  | CSA C22-2 No 14<br>EN/IEC 60947-1<br>EN/IEC 60947-5-1<br>EN/IEC 60947-5-4<br>JIS C 4520<br>JIS C 852<br>UL 508 |
| Product certifications                     | NEMA<br>UL 508   |
| Protective treatment                       | TC   |
| Ambient air temperature for storage        | -40...70 °C  |
| Ambient air temperature for operation      | -25...70 °C  |
| Vibration resistance                       | 7 gn (f = 2...500 Hz) conforming to IEC 60068-2-6  |
| Shock resistance                           | 50 gn conforming to IEC 60068-2-27   |
| Class of protection against electric shock | Class II conforming to IEC 61140   |
| IP degree of protection                    | IP66 conforming to IEC 60529   |
| NEMA degree of protection                  | NEMA 4<br>NEMA 3R<br>NEMA 3<br>NEMA 2<br>NEMA 13<br>NEMA 12<br>NEMA 1  |
| RoHS EUR status                            | Compliant  |
| RoHS EUR conformity date                   | 0921   |

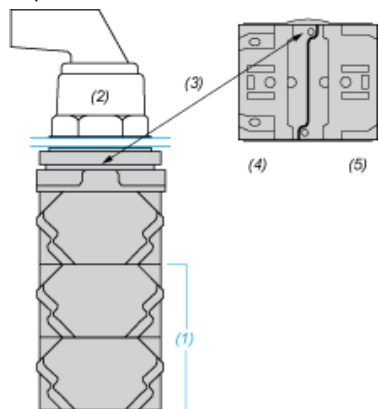
Dimensions



e panel thickness: 1 to 6 mm / 0.04 to 0.24 in.

Contact Block Mounting Position

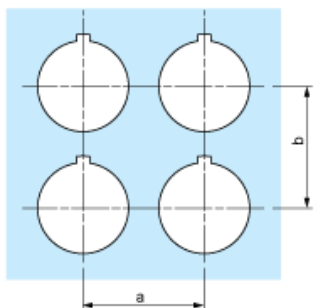
Top and Rear views



- (1) It is possible to mount up to 3 levels of contacts blocks (maximum of 6 contacts blocks)
- (2) Operator
- (3) Locating notch
- (4) Side 1
- (5) Side 2

Panel Cut-Out

Clearance



| Legend plate | a min. |      | b min. |      |
|--------------|--------|------|--------|------|
|              | mm     | in.  | mm     | in.  |
| 9001KN2••    | 57.2   | 2.25 | 44.5   | 1.75 |
| 9001KN3••    | 57.2   | 2.25 | 50.8   | 2.00 |

Individual Cut-outs Details

2 alternatives

