

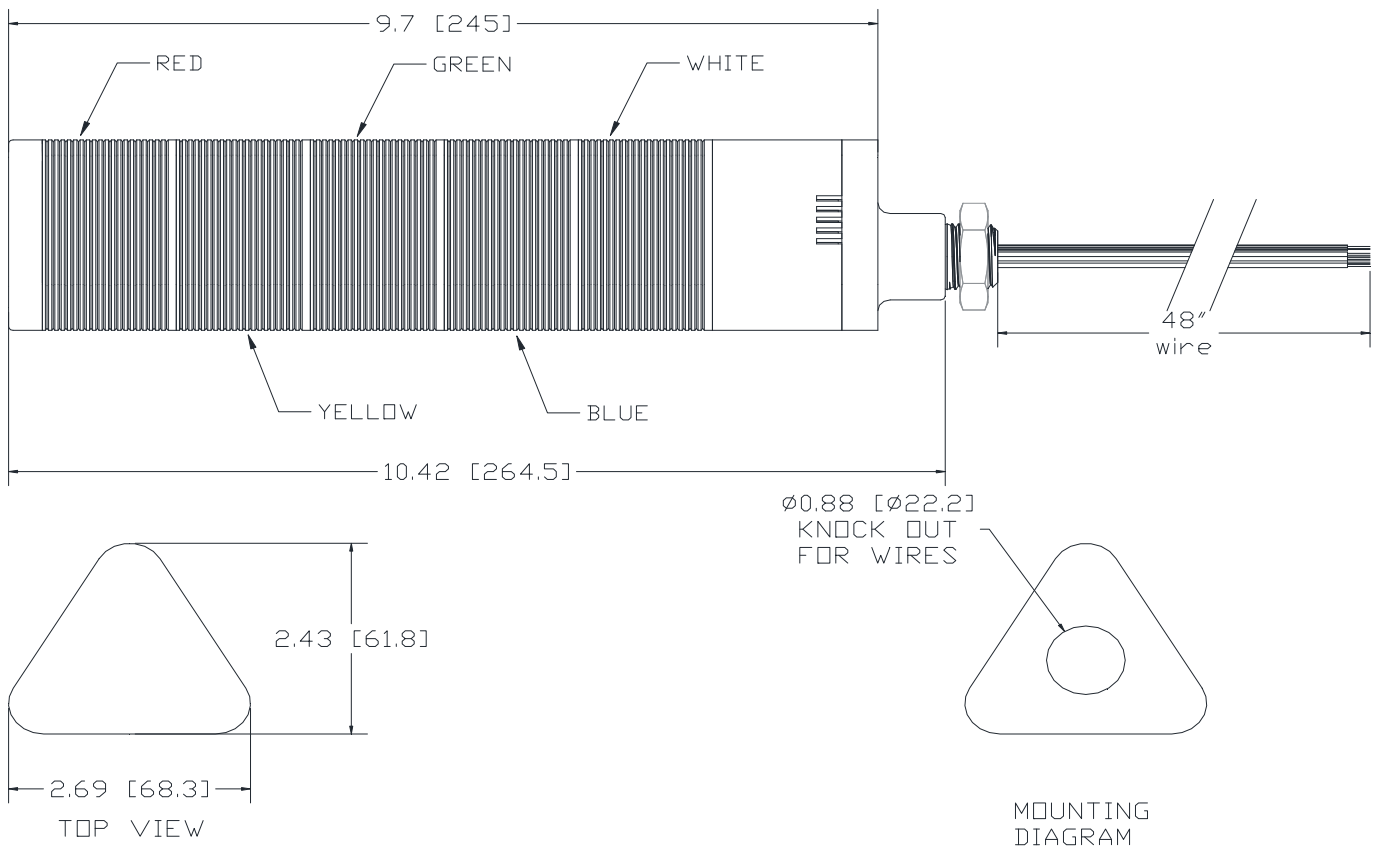
Sales Outline Drawing

Specifications:

| | | | | | |
|------------------------|--|------------------|-----------------|----------------|-----------------|
| Stack Number: | 1 | 2 | 3 | 4 | 5 |
| LED Color: | RED | YELLOW | GREEN | BLUE | WHITE |
| Connection Wires: | Red and Brown | Yellow and Brown | Green and Brown | Blue and Brown | White and Brown |
| LED Current Draw: | <30mA | | | | |
| Rated Voltage: | 24 VAC/DC | | | | |
| Operating Voltage: | 20-28 VAC/DC | | | | |
| Operating Temperature: | -25° ~ +60°C | | | | |
| Lens Color: | Opaque White | | | | |
| Material: | ABS 777D | | | | |
| Mounting Method: | Direct Mount using 1/2" NPT Stainless Steel Pipe and Nut | | | | |
| Weight Typical (g): | 510 | | | | |
| NEMA 3R,4X, & 12: | | | | | |
| Options: | Please contact factory. | | | | |

Dimensions: Inches (mm)

ROHS Compliant



LED OPERATION: CONNECT STACK COLOR WIRE TO POWER AND BROWN WIRE TO POWER.